



## KS 7.10 7.10 FL40 ZP V4A (319 229)

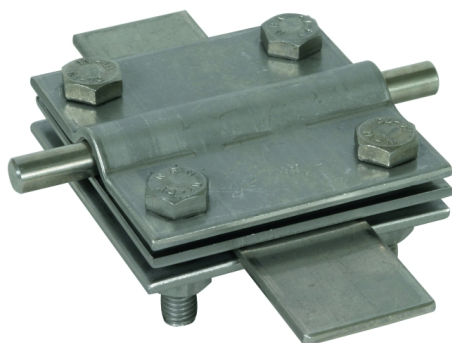
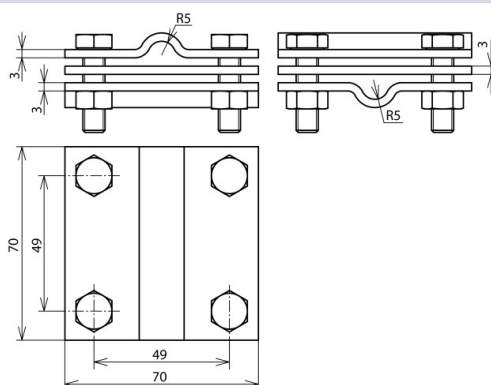


Figure without obligation



Part No.	319 229
Material of clamp	StSt (V4A)
Clamping range Rd / Rd	7-10 / 7-10 mm
Clamping range Rd / FI	7-10 / 30-40 mm
Clamping range FI / FI	30-40 / 30-40 mm
Clamping range (stranded / cable)	35-70 mm <sup>2</sup>
Screw	M8 x 30 mm
Material of screw / nut	StSt (V4A)
Material No.	1.4571 / 1.4404 / 1.4401
ASTM / AISI:	316Ti / 316L / 316
Dimension	70 x 70 x 3 mm
Intermediate plate	yes
Standard	EN 62561-1
Short-circuit current (50 Hz) (1 s; ≤ 300 °C)	5.0 kA
Weight	409 g
Customs tariff number	85389099
GTIN	4013364108752
PU	25 pc(s)

We reserve the right to introduce changes in performance, configuration and technology, dimensions, weights and materials in the course of technical progress. The figures are shown without obligation.