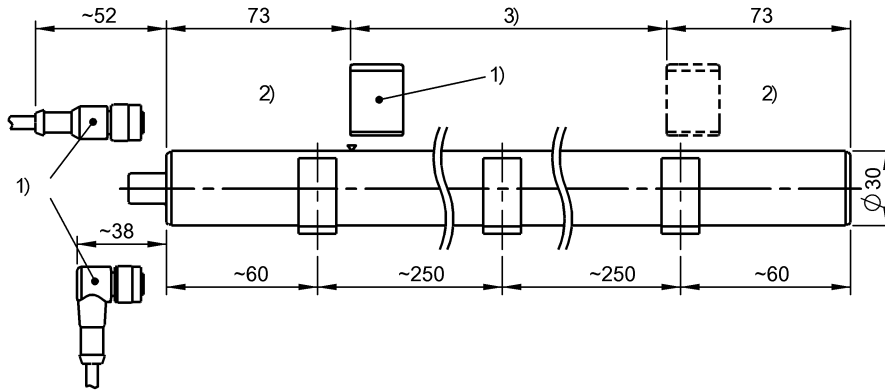


BTL6-A110-M0600-A1-S115
Ordering code: BTL003F

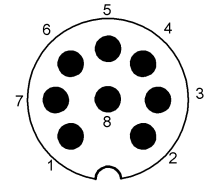
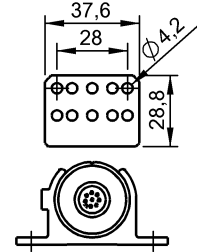
Micropulse transducers
Series Profile

Output signal 0...10 V and 10...0 V
Nominal stroke 600 mm

BALLUFF
sensors worldwide



Pin	
1	GND output
2	GND output
3	10...0 V
4	NC
5	0...10 V
6	GND
7	+24 V DC
8	NC



1) Not incl. in scope of del., 2) Unusable area, 3) Nom. stroke = Meas. length

Characteristic data

Output signal 0...10 V and 10...0 V
 Connection Connector, M12
 Operating voltage 20...28 V DC

Electrical data

Ripple 0.5 Vpp
 Current consumption (at 24 V DC) ≤ 70 mA
 Inrush current ≤ 3 A / 0.5 ms
 Overvoltage protected Yes
 Voltage-proof (GND – housing) 500 V DC
 Ripple Ua max. 5
 Galvanic isolation No
 For dynamic loop applications No
 Error signal Ua rising ≥ 10.2 V
 Error signal Ua falling ≥ 10.2 V

Mechanical data

Type Type A1
 Mounting type Mounting clamps
 Connector type M12
 Cable/connector out Axial
 Number of pins 8
 Housing material Anodized aluminum
 Repeatability max. ≤ 10 μm
 Resolution ≤ 10 μm
 Repeat accuracy ≤ 10 μm

Sampling rate (length-depend.) 1 kHz, standard
 TK, typ. (at 50% of 500 mm) ≤ 35 ppm/K
 Ambient temperature Ta min. 0 °C
 Ambient temperature Ta max. 70 °C
 Storage temperature min. -40 °C
 Storage temperature max. 100 °C
 Relative humidity < 90%, non-condensing
 Null point 73 mm

Basic data

Protected against polarity reversal Up to 36 V
 Degree of protection as per IEC 60529 IP67 (with connector)
 EN 60068-2-27 (shock) 50 g / 6 ms
 EN 60068-2-29 (cont. shock) 50 g / 2 ms
 EN 60068-2-6 (vibration) 12 g, 10...2000 Hz
 EN 60068-2-64 (noise) 5 g, 10...2000 Hz
 EN 55016-2-3 (emission) Class A+B
 EN 61000-4-2 (ESD) Severity Level 3
 EN 61000-4-3 (RFI) Severity Level 3
 EN 61000-4-4 (burst) Severity Level 3
 EN 61000-4-5 (surge) Severity Level 2
 EN 61000-4-6 (HF fields) Severity Level 3
 EN 61000-4-8 (magnetic fields) Severity Level 4
 Approvals CE, cURus

Remarks

BTL6-A110-M0600-A1-S115
Ordering code: BTL003F

Micropulse transducers
Series Profile

Output signal 0...10 V and 10...0 V
Nominal stroke 600 mm

BALLUFF
sensors worldwide

