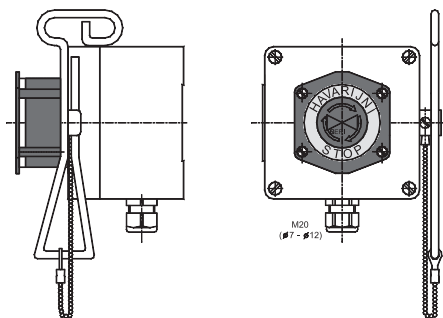
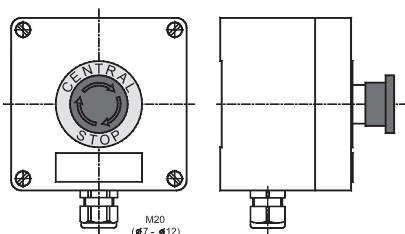


DESIGN WITH PROTECTIVE GLASS CAP



X20SA1 V001 ÷ V005

STANDARD CENTRAL STOP



X20SA1 V006 ÷ V010

* creating order number:

Text modifications:	??	Example:
CENTRAL STOP (standard)	-	X20SA1 V006
EMERGENCY STOP	ES	X20SA1 V006/ES
EMERGENCY SWITCHING OFF	ESO	X20SA1 V006/ESO

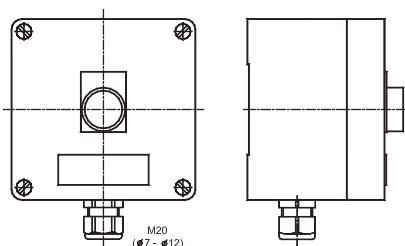
Different texts on request.

Type of protection:	II 2GD Ex de tD IIC T85°C T6 IP65
Material, box dimensions:	Polyester, (w x h x d) 122 x 120 x 90 mm
Cable gland:	M20 (Ø 7 – Ø 12) mm
Terminals:	max. 2 x 2,5 mm ²
Standard – head:	Latching, turn to release
Standard – text	CENTRAL STOP
Other types of heads, contacts or text on request	

Contacts	Weight	Order No.
	1,36 kg	X20SA1 V001
	1,36 kg	X20SA1 V002
	1,39 kg	X20SA1 V003
	1,39 kg	X20SA1 V004
	1,39 kg	X20SA1 V005

Contacts	Weight	Order No.*
	0,89 kg	X20SA1 V006/??
	0,89 kg	X20SA1 V007/??
	0,92 kg	X20SA1 V008/??
	0,92 kg	X20SA1 V009/??
	0,92 kg	X20SA1 V010/??

SPRING-LOADED PUSHBUTTON



X20SA1 V011 ÷ V015

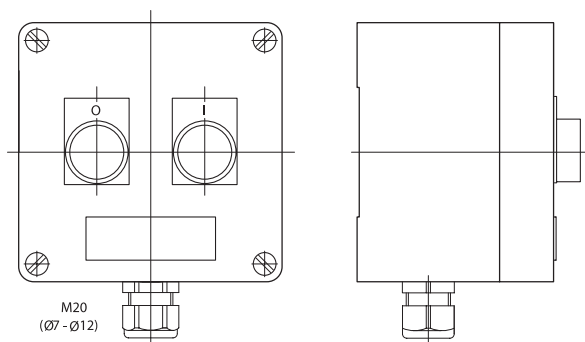
* creating order number:

Colour code	?	Example:
BLACK	B	X20SA1 V011/B
GREEN	G	X20SA1 V011/G
WHITE	W	X20SA1 V011/W
RED	R	X20SA1 V011/R
YELLOW	Y	X20SA1 V011/Y

Type of protection:	II 2GD Ex de tD IIC T6 T85°C IP65
Material, box dimensions:	Polyester, (w x h x d) 122 x 120 x 90 mm
Cable gland:	M20 (Ø 7 – Ø 12) mm
Terminals:	max. 2 x 2,5 mm ²
Different contact blocks on request	

Contacts	Weight	Order No.*
	0,85 kg	X20SA1 V011/?
	0,85 kg	X20SA1 V012/?
	0,88 kg	X20SA1 V013/?
	0,88 kg	X20SA1 V014/?
	0,88 kg	X20SA1 V015/??

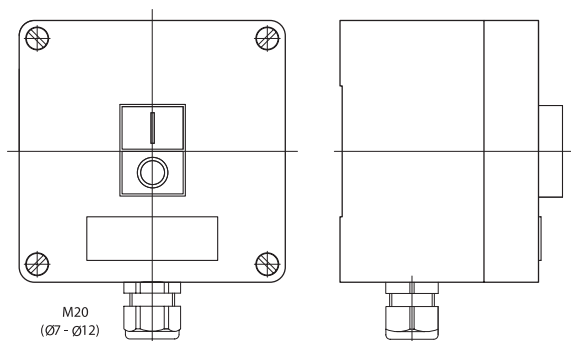
Quotations for specific modifications as well as detailed technical information are available at obchod@generi.cz.
 Components for boxes type X.SA1 are also on page 22 of this catalogue.



X20SA1 V017 / ./. ÷ X20SA1 V020 / ./.

Type of protection:	⊕ II 2GD Ex de tD IIC T6 T85°C IP65
Material, box dimensions:	Polyester, (w × h × d) 122 × 120 × 90 mm
Cable glands:	M20 (Ø 7 – Ø 12) mm
Terminals:	max. 2 × 2,5 mm ²
Colour coding – example:	
SB1 = red (R)	X20SA1 V017/ R / G
SB2 = green (G)	
Colour	Code
BLACK	B
GREEN	G
WHITE	W
RED	R
YELLOW	Y

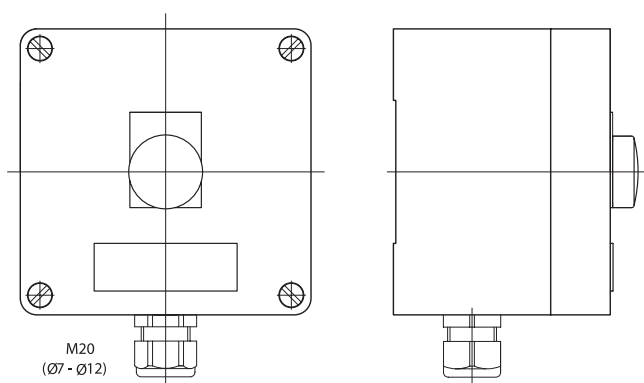
X20SA1 V016 / ./. , V017 / ./.	X20SA1 V018 / ./.	X20SA1 V019 / ./.	X20SA1 V020 / ./.



X20SA1 V016 / ./.

Substitute colour code for ??/		
Colour of the head	Weight	Order No.
see table above	0,90 kg	X20SA1 V017/ ? / ?
see table above	0,90 kg	X20SA1 V018/ ? / ?
see table above	0,90 kg	X20SA1 V019/ ? / ?
see table above	0,96 kg	X20SA1 V020/ ? / ?

Double head layout		
Button colour	Weight	Order No.
Upper (SB2) = green Lower (SB1) = red	0,90 kg	X20SA1 V016/G/R
Upper (SB2) = white Lower (SB1) = black	0,90 kg	X20SA1 V016/W/B



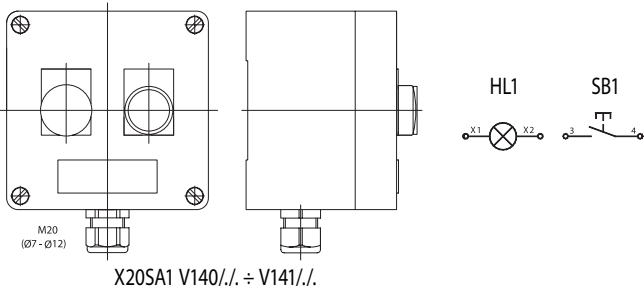
X20SA1 V021 ÷ V026

Type of protection:	⊕ II 2GD Ex emb tD II T6 T85°C IP65
Material, box dimensions:	Polyester, (w × h × d) 122 × 120 × 90 mm
Cable glands:	M20 (Ø 7 – Ø 12) mm
Terminals:	max. 2 × 2,5 mm ²
Indicator colour coding:	
Creating order number – example:	
Transparent	X20SA1 V021/ T
Colour	Code
GREEN	G
TRANSPARENT	T
RED	R
YELLOW	Y
BLUE	BE

Nominal voltage	230 V 50 Hz	120 V 50 Hz	48 V AC/DC	24 V AC/DC	12 V AC/DC	6 V AC/DC
Order No.*	X20SA1 V021/ ?	X20SA1 V022/ ?	X20SA1 V023/ ?	X20SA1 V024/ ?	X20SA1 V025/ ?	X20SA1 V026/ ?
Weight	0,85 kg	0,85 kg	0,85 kg	0,85 kg	0,85 kg	0,85 kg

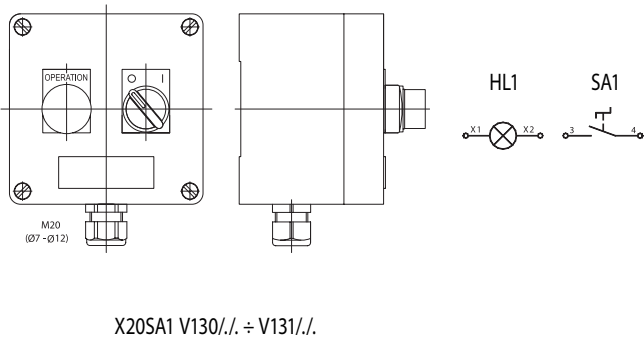
* substitute the colour code for question mark

Other modifications on request. More details on X.SA1 box components can be found on page 22.
You can also contact us at obchod@generi.cz for further details.



Type of protection:	⊕ II 2GD Ex demb tD IIC T6 IP65	
Material, box dimensions:	Polyester, (w × h × d) 122 × 120 × 90 mm	
Cable gland:	M20 (Ø 7 – Ø 12) mm	
Terminals:	max. 2 × 2,5 mm ²	
Button / indicator colour specification: Please substitute the colour code from page 10 for the question marks below		
Nominal voltage	Order No.	Weight
230 V 50 Hz	X20SA1 V140/?/?	0,90 kg
24 V AC/DC	X20SA1 V141/?/?	0,90 kg

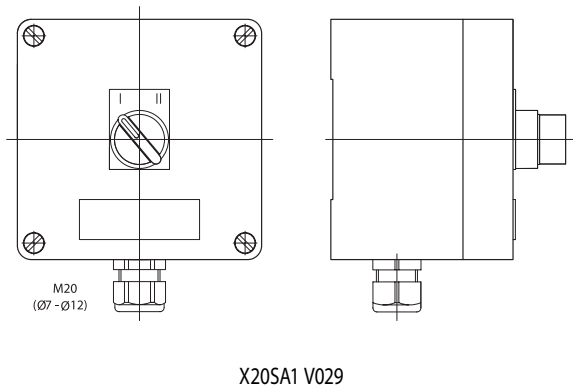
TWO POSITION SWITCH / INDICATOR



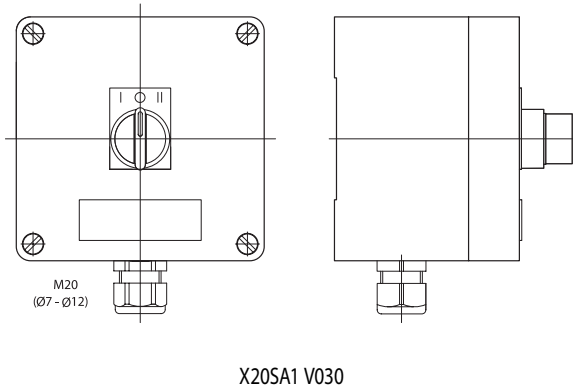
Type of protection:	⊕ II 2GD Ex demb tD IIC T6 IP65	
Material, box dimensions:	Polyester, (w × h × d) 122 × 120 × 90 mm	
Cable gland:	M20 (Ø 7 – Ø 12) mm	
Terminals:	max. 2 × 2,5 mm ²	
Button / indicator colour specification: Please substitute the colour code from page 10 for the question marks below		
Nominal Voltage	Order No.	Weight
230 V 50 Hz	X20SA1 V130/?/?	0,91 kg
24 V AC/DC	X20SA1 V131/?/?	0,91 kg
SA1	Position	
Contact	←	→
3 – 4		On

TWO / THREE POSITION SWITCHES

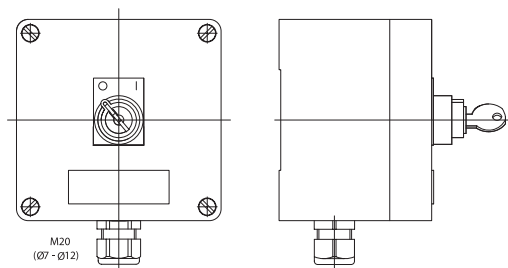
Type of protection:	⊕ II 2GD Ex de tD IIC T6 T85°C IP65
Material, box dimensions:	Polyester, (w × h × d) 122 × 120 × 90 mm
Cable glands:	M20 (Ø 7 – Ø 12) mm
Terminals:	max. 2 × 2,5 mm ²



2 pole switch – „Coupling type 1“		
	Order No.	Weight
	X20SA1 V027	0,86 kg
	Position	
	←	→
		On
4 pole switch – „Coupling type 2“		
	Order No.	Weight
	X20SA1 V028	0,88 kg
	Position	
	←	→
		On
		On
Variation switch – „Coupling type 6“		
	Order No.	Weight
	X20SA1 V029	0,89 kg
	Position	
	←	→
	On	
		On



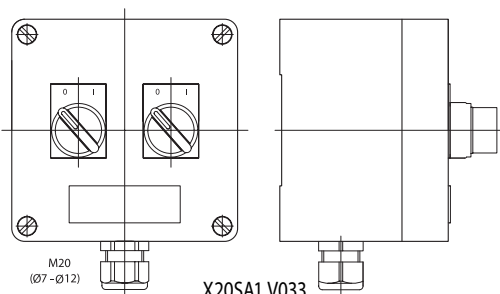
Switch with 3 positions		
	Order No.	Weight
	X20SA1 V030	0,89 kg
	Position	
	←	↑
	On	
		On
Switch with 3 positions for control of contactors Self return from START to STOP position		
	Order No.	Weight
	X20SA1 V031	0,89 kg
	Position	
	←	↑
		On
		On



X20SA1 V032

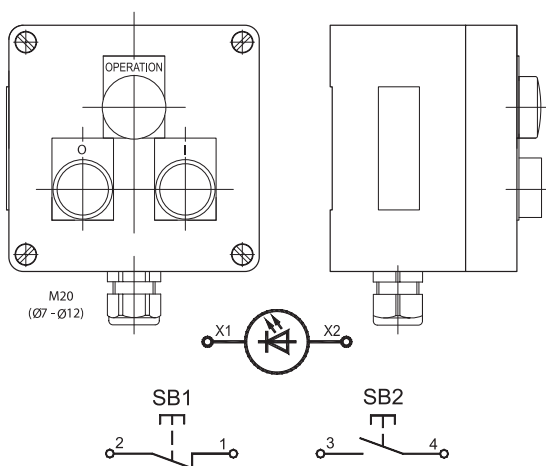
Type of protection:	II 2GD Ex de tD IIC T6 T85°C IP65	
Material, box dimensions:	Polyester, (w × h × d) 122 × 120 × 90 mm	
Cable glands:	M20 (Ø 7 – Ø 12) mm	
Terminals:	max. 2 × 2,5 mm ²	
	Order No.	Weight
	X20SA1 V032	0,88 kg
	Position	
	←	→
On		

Locking in different positions, padlocks or mushroom heads on request



X20SA1 V033

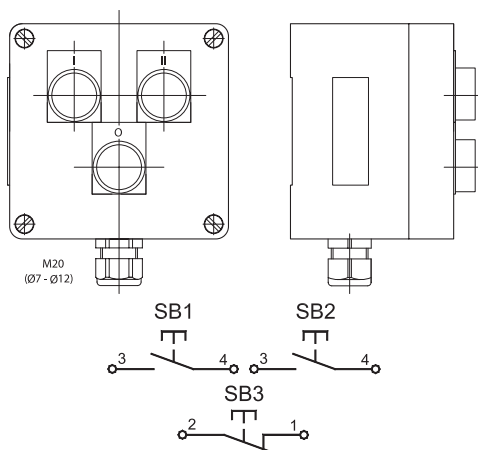
Type of protection:	II 2GD Ex de tD IIC T6 T85°C IP65	
Material, box dimensions:	Polyester, (w × h × d) 122 × 120 × 90 mm	
Cable glands:	M20 (Ø 7 – Ø 12) mm	
Terminals:	max. 2 × 2,5 mm ²	
	Order No.	Weight
	X20SA1 V033	0,91 kg
	Position	
	←	→
Contact		
3-4		
On		



X20SA1 V101 ÷ V104

Type of protection:	II 2GD Ex demb tD IIC T6 T85°C IP65	
Material, box dimensions:	Polyester, (w × h × d) 122 × 120 × 90 mm	
Cable glands:	M20 (Ø 7 – Ø 12) mm	
Terminals:	max. 2 × 2,5 mm ²	

Indicator HL1	Button colour	Weight	Order No.
230V 50Hz green colour	right (SB2) – green left (SB1) – white	0,98 kg	X20SA1 V101
230V 50Hz green colour	right (SB2) – green left (SB1) – red	0,98 kg	X20SA1 V102
24V AC/DC green colour	right (SB2) – green left (SB1) – white	0,98 kg	X20SA1 V103
24V AC/DC green colour	right (SB2) – green left (SB1) – red	0,90 kg	X20SA1 V104

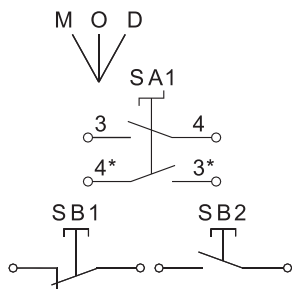
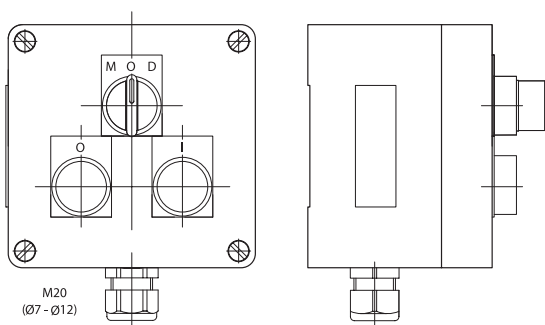


X20SA1 V105 ÷ V108

Type of protection:	II 2GD Ex de tD IIC T6 T85°C IP65	
Material, box dimensions:	Polyester, (w × h × d) 122 × 120 × 90 mm	
Cable glands:	M20 (Ø 7 – Ø 12) mm	
Terminals:	max. 2 × 2,5 mm ²	

Button colour	Weight	Order No.
SB1, SB2 – green SB3 – white	0,98 kg	X20SA1 V105
SB1, SB2 – green SB3 – red	0,98 kg	X20SA1 V106
B1, SB2 – black SB3 – red	0,98 kg	X20SA1 V107
B1, SB2 – black SB3 – black	0,98 kg	X20SA1 V108

Other modifications and details about components used for the X.SA1 boxes can be found on page 22 of this catalogue and further details are also to be had at obchod@generi.cz.

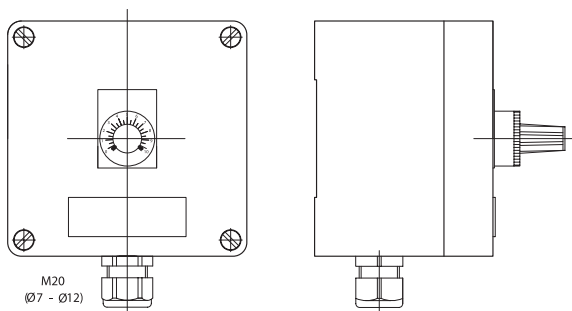


X20SA1 V120/./

Type of protection:	II 2GD Ex de tD IIC T6 IP65
Material, box dimensions:	Polyester, (w x h x d) 122 x 120 x 90 mm
Cable gland:	M20 (Ø 7 – Ø 12) mm
Terminals:	max. 2 x 2,5 mm ²
Buttons SB1/SB2 – colour specification: Please substitute the colour code from page 10 for the question marks below	
Order No.	Weight
X20SA1 V120/?/?	1,02 kg
SA1	Position
Contacts	← M 0 D →
3 – 4	On
4* – 3*	On

EX POTENTIOMETER

ZONE 1, 2 – ZONE 21,22



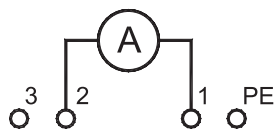
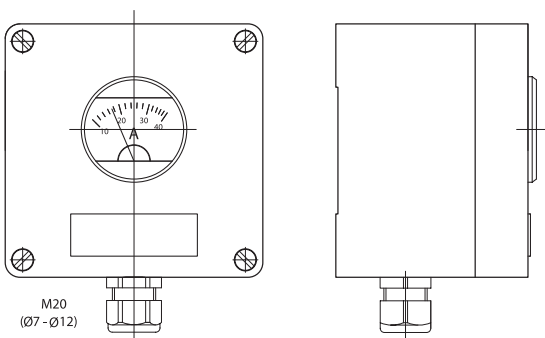
X20SA1 RP..

Type:	X20SA1 RP..
Type of protection:	II 2GD Ex demb tD IIC T6 T85°C IP65
Material, box dimensions:	Polyester, (w x h x d) 122 x 120 x 90 mm
Cable glands:	M20 (Ø 7 – Ø 12) mm
Terminals:	max. 2 x 2,5 mm ²

Potentiometer Values	Weight	Order No.
1 kΩ	1,00 kg	X20SA1 RP 1k
2 kΩ	1,00 kg	X20SA1 RP 2k
5 kΩ	1,00 kg	X20SA1 RP 5k
10 kΩ	1,00 kg	X20SA1 RP 10k

INDIRECT AMMETER

ZONE 1, 2 – ZONE 21,22



X20SA1 PA../..

Type:	X20SA1 PA../..
Type of protection:	II 2GD Ex emb tD IIC T6 T85°C
Material, box dimensions:	Polyester, (w x h x d) 122 x 120 x 90 mm
Cable glands:	M20 (Ø 7 – Ø 12) mm
Terminals:	max. 2 x 2,5 mm ²

Indirect ammeter (designed for connection to measuring current transformer)
In/1A or In/5A

Scale range	Weight	Order No.	
		In/1A	In/5A
0–10/30	1,00 kg	X20SA1 PA1A/10	X20SA1 PA5A/10
0–15/45	1,00 kg	X20SA1 PA1A/15	X20SA1 PA5A/15
0–20/60	1,00 kg	X20SA1 PA1A/20	X20SA1 PA5A/20
0–30/90	1,00 kg	X20SA1 PA1A/30	X20SA1 PA5A/30
0–40/120	1,00 kg	X20SA1 PA1A/40	X20SA1 PA5A/40
0–50/150	1,00 kg	X20SA1 PA1A/50	X20SA1 PA5A/50
0–60/180	1,00 kg	X20SA1 PA1A/60	X20SA1 PA5A/60
0–75/225	1,00 kg	X20SA1 PA1A/75	X20SA1 PA5A/75
0–100/300	1,00 kg	X20SA1 PA1A/100	X20SA1 PA5A/100
0–150/450	1,00 kg	X20SA1 PA1A/150	X20SA1 PA5A/150
0–200/600	1,00 kg	X20SA1 PA1A/200	X20SA1 PA5A/200

Note: Different ranges on request

Other modifications on request. More details on X.SA1 box components can be found on page 22 of this catalogue and further details are also to be had at obchod@generi.cz.