

## LS 26500

### 3.6 V Primary lithium - thionyl chloride (Li-SOCl<sub>2</sub>) High Drain C-size cell



For applications with continuous currents up to 170 mA, possibly combined with pulsing and exposure to extreme temperatures.

#### Key features

- High and stable operating voltage
- Superior drain capability
- Low self discharge rate  
(less than 1% after 1 year of storage at +20°C)
- Stainless steel container
- Hermetic glass-to-metal sealing
- Built-in safety vent
- Finish with or without flat positive end
- Non flammable electrolyte
- Compliant with IEC 86-4 safety standard
- Underwriters Laboratories (UL) Component Recognition (File Number MH 12609)
- Non restricted for transport

#### Main applications

- Utility metering
- Automatic meter readers
- Buoys
- Measuring equipment
- Industrial applications
- Professional electronics
- ... etc.

#### Optional upon request

- Low magnetism version

#### Cell size reference

R14 - C

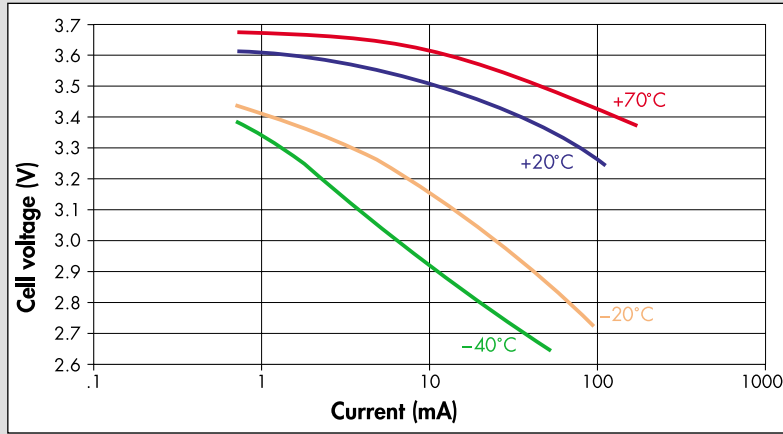
#### Electrical characteristics

(typical values for cells stored for one year or less)

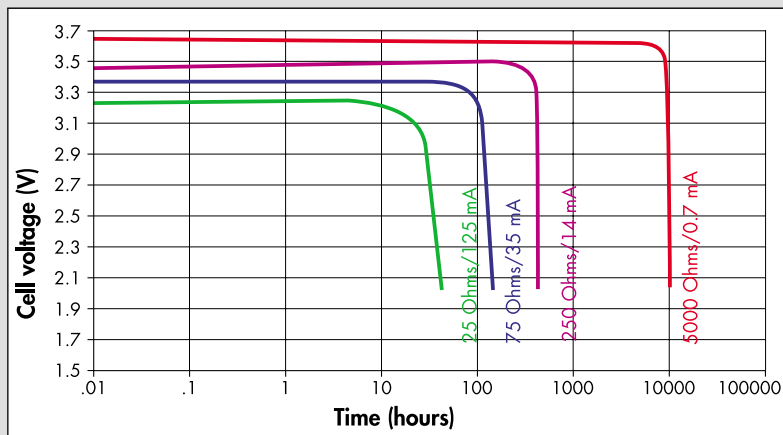
Nominal capacity	7.3 Ah
<i>(at 5 mA +20°C 2.0 V cut off. The capacity restored by the cell varies according to current drain, temperature and cut off).</i>	
Open circuit voltage (at +20°C)	3.67 V
Nominal voltage (at 0.1 mA +20°C)	3.6 V
Maximum recommended continuous current	170 mA
<i>(to get 50% of the nominal capacity at +20°C with 2 V cut off. Higher currents possible, consult Saft).</i>	
Pulse capability : varies according to pulse characteristics (frequency, duration), temperature, cell history (storage conditions prior to usage) and the application's acceptable minimum voltage. Consult Saft.	
Storage (recommended) (possible without leakage)	+30°C max -60/+100°C
Operating temperature range <i>(Operation above ambient T may lead to reduced capacity and lower voltage readings at the beginning of pulses).</i>	-60/+85°C
<b>Physical characteristics</b>	
Diameter (max)	26.0mm (1.02")
Height (max)	49.2 or 50.3mm (1.94" or 1.98") depending on finish type
Typical weight	48 g
Available termination suffix	CNR, (STS) radial tabs 3 PF, 3 PF RP radial pins CNA (AX) axial leads FL flying leads ... etc.



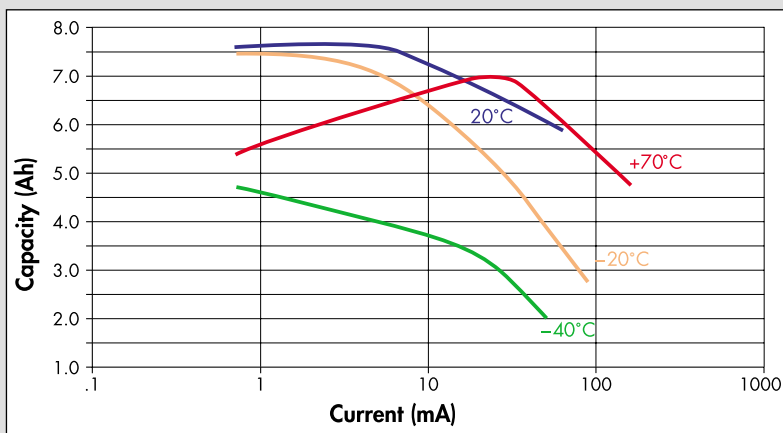
**Voltage plateau versus Current and Temperature (at mid-discharge)**



**Discharge profiles at +20°C**

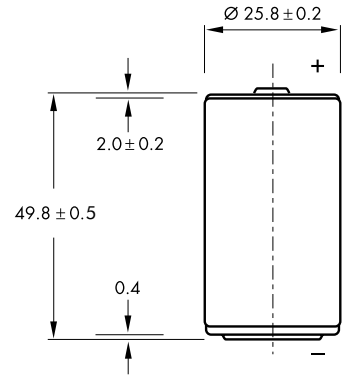


**Capacity versus Current and Temperature (2.0 Volt cut off)**

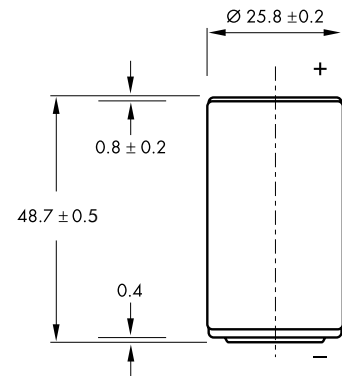


# LS 26500

dimensions in mm



**Finished version with protruding positive end cap**



**Finished version with flat positive end cap**



12, rue Sadi Carnot  
 93170 Bagnolet - France  
 Tel +33 (0)1 49 93 17 70  
 Fax +33 (0)1 49 93 19 69  
 Internet: <http://www.saftbatteries.com>  
 Doc. N° 12.00 - 31016.2  
 Published by the Communications Department

*Information in this document is subject to change without notice and becomes contractual only after written confirmation by Saft.*