



## Trilogy 245

Trilogy 245 is proposing two product ranges.  
Deco-technical range:  
FBS/FBH/MBS/KBS 245

Recessed downlights with highly efficient 245 mm internal diameter reflector:

FBS 245: a silver dark light optic (C-60) provide an efficient glare control for compact fluorescent PL-C and PL-T lamps.  
FBS 245 with PL-C lamps fulfil highest light-technical requirements (BAP60, LG3 cat2).  
FBH 245: a semi high-gloss optic (F2) with vertical facets for compact fluorescent PL-C lamps.  
MBS/KBS 245: a silver frosted optic for Mastercolour double-ended metal halide lamps or QL lamp system.

Downlight louvre integrable in optic of PL-C and PL-T versions to obtain higher visual comfort.  
Emergency lighting (EL3) available for PL-C lamps (one lamp maintained 3 hours).  
Decorative ring and accessories to be ordered separately.

Technical range (smart ring):  
FBS/FBH 245 S  
Less obtrusive recessed downlights with white painted steel ring are available for compact fluorescent PL-C lamps.

## Application

- 'Club' offices
- 'Cell' offices
- 'Hive' offices
- Small independent food/non-food shops
- Discount stores, hyper/supermarkets, Do-it-yourself shops
- Department stores, fashion shops

Ease and speed of installation thanks to the simple main supply wiring connection at the gear box and the specific fast clip system at the outside of the housing.

## Technical description

Power supply: 230 V and 240 V,  
prepared for through-wiring  
Lamp position: horizontal  
Materials: steel, aluminium and polycarbonate

## Installation

Cut-out: Ø 297 mm (deco-technical), Ø 278 mm (technical).  
Method: position fastener using Philips fast clip system according to the thickness of the false ceiling, after removing the reflector.

## Accessories for deco-technical version only

Decorative ring, turbo louvre, recessed and suspended decorative glasses (see page 330-332 for complete overview).

## Tender description

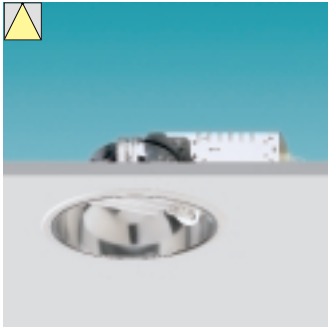
High performance recessed downlight for compact fluorescent PL-C, PL-T, Mastercolour double-ended metal halide lamps or QL lamp system. The luminaire with PL-C lamp, thanks to its silver darklight optic, shall fully comply with the glare recommendations of DIN 5035/7 BAP60° and CIBSE LG3 cat. 2. There shall be versions available for a low-height false ceiling and shall provide a high efficient lighting distribution thanks to the semi-high-gloss optic with vertical facets. A silver frosted optic shall provide an efficient and comfortable lighting beam for high lumen lamp package. A variety of decorative accessories shall enhance the overall lighting installation. The luminaire shall comply with ENEC/CE.



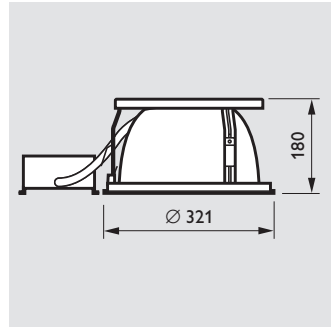
FBS 245



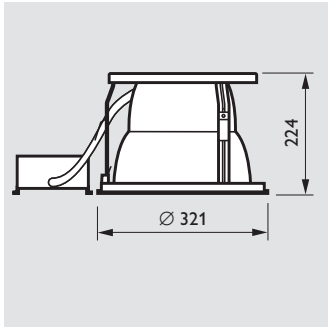
MBS 245



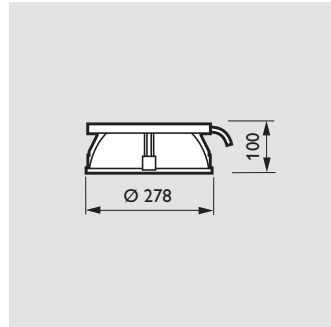
KBS 245



FBH 245 S



FBS/MBS 245 Dimensions in mm



KBS 245

FBH 245S



The new gear box.



The Philips fast clip system.

## Luminaire specification Deco-technical downlights (standard combinations)

	Basic luminaire	Lamps Number/Watts	Gear	Optics	Emergency lighting	
PL-C	FBH	2xPL-C18W	IC/230V	F	EL3**	
		3xPL-C18W				
		2xPL-C26W	IC/240			
	3xPL-C26W					
	FBS	2xPL-C18W	HF			C-60
		3xPL-C18W				
2xPL-C32W		HF-R*				
3xPL-C26W						
Mastercolour	MBS	1xCDM-TD70W	IC/230V			
		1xCDM-TD150W	IC/240V			
QL	KBS	1xQL55W830	HF			
		1xQL55W840				
		1xQL85W830				
		1xQL85W840				

Select 1 item in each column.

Resulting type number e.g.

**FBH 245 2xPL-C18W HF F EL3**

**For optic description see page 313-315**  
**For ordering procedure see page 22**

## Luminaire specification Technical downlights (smart ring versions) (standard combinations)

	Basic luminaire	Lamps Number/Watts	Gear	Steel ring	Smart ring	Colour
PL-C	FBH	2xPL-C18W	IC/230V	F	S	WH (White)
		3xPL-C18W				
	FBS	2xPL-C26W	IC/240	C-60		
		3xPL-C26W	HF			

Select 1 item in each column.

Resulting type number e.g.

**FBH 245 2xPL-C18W IC/230V F S WH**

**For optic description see page 313-315**  
**For ordering procedure see page 22**

Standard features	no
Connection	

Optional features: cord 2m + plug CEE7

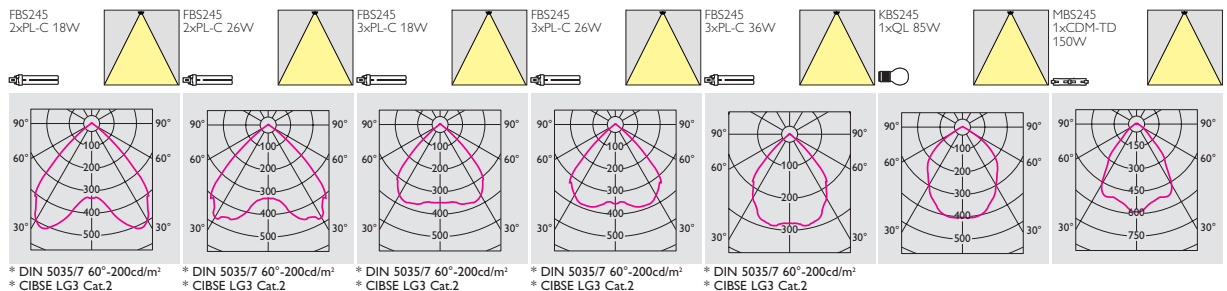
Please specify optional features separately.

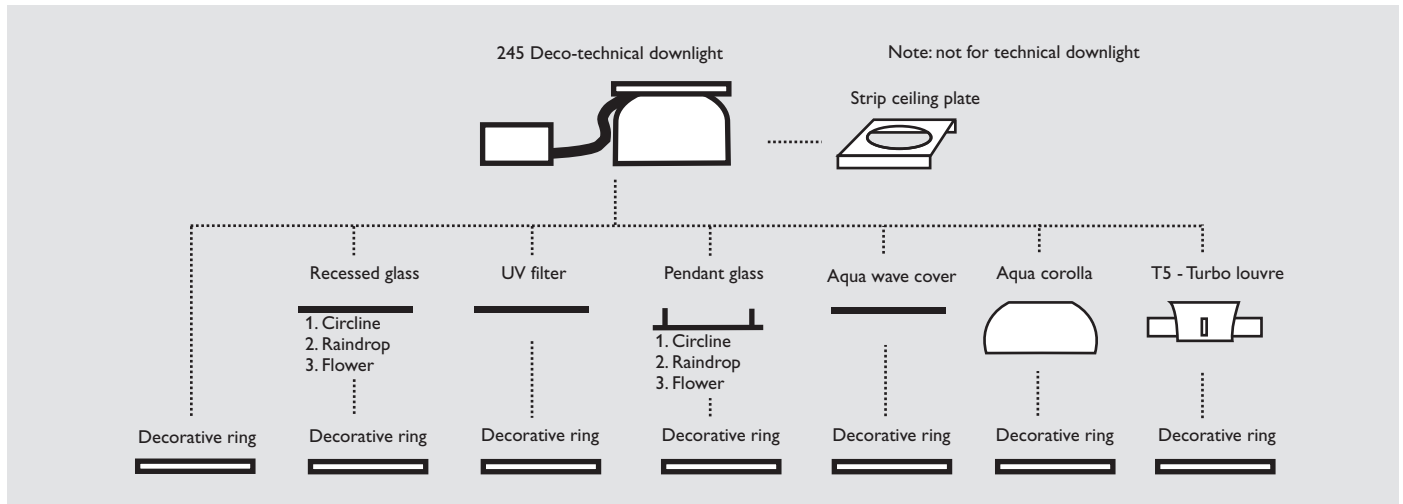
\* Only for luminaires with 2 lamps: 2xPL-C18 W and 2xPL-C26 W.

\*\* Only for luminaires with 2 lamps: 2xPL-C18 W and 2xPL-C26 W. Not for HF-R.

## Basic programme

Type	Lamp	Weight (kg)	L.O.R.	EOC
FBS245 2xPL-C26W IC/230V C-60	2xPL-C 26W	4.10	0.73	56067000
FBS245 3xPL-C26W IC/230V C-60	3xPL-C 26W	4.70	0.60	56071700
FBS245 2xPL-C18W IC/230V C-60	2xPL-C 18W	3.35	0.72	56065600
FBS245 3xPL-C18W IC/230V C-60	3xPL-C 18W	3.90	0.61	56069400
FBS245 2xPL-T32W HF C-60	2xPL-T 32W	2.60	0.60	56073100
MBS245 1xCDM-TD150W IC/230V	1xMastercolour CDM-TD 150W	5.75	0.69	56474600
KBS245 1xQL85W830 HF	1xQL 85W lampcolour 830	3.50	0.70	37902900





Reference	Lamp	Decorative ring ZZZ 245	Decorative recessed glass - ZZZG 245	Decorative pendant glass - ZZZG 245	Aqua Corolla ZZZG 245	UV filter ZZN 245	Turbo louvre* GBS 245	Strip ceiling plate ZBS 245	Aqua wave cover ZZG 245
FBH 245	PL	●	●	●	●			●	●
FBS 245	PL	●	●	●	●		●	●	●
KBS 245	QL	●	●	●	●		●	●	●
MBS 245	CDM-T	●	●	●		●		●	

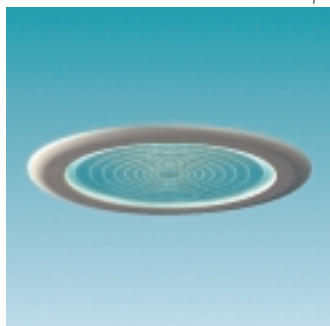
\* Turbo louvre cannot be mounted together with glasses.



Flower

Raindrop

Circline



ZZG 245 Recessed glass

### ZZG 245 Recessed glass

Decorative recessed glasses with 3 different patterns to be put in the inner part of the decorative ring ZZZ 245, which must be ordered separately.

Type	EOC
ZZG245 RECESSED GLASS CIRCLINE	55612300
ZZG245 RECESSED GLASS RAINDROP	55611600
ZZG245 RECESSED GLASS FLOWER	55613000



ZZG 245 Pendant glass

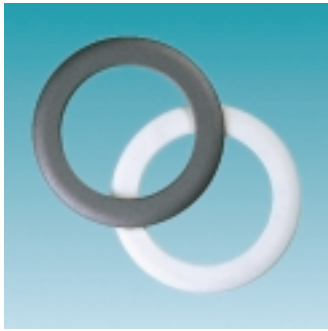
### ZZG 245 Pendant glass

Decorative pendant glasses with 3 different patterns to be put in the inner part of the decorative ring ZZZ 245, which must be ordered separately.

Type	EOC
ZZG245 PENDANT GLASS CIRCLINE	55615400
ZZG245 PENDANT GLASS RAINDROP	55614700
ZZG245 PENDANT GLASS FLOWER	55616100

## Downlights

## Accessories for Trilogy 245



### ZZZ 245

Decorative ring which has to be ordered with every performance technical downlight. Besides the white and metal grey versions, all 155 RAL colours can be ordered on request.

ZZZ 245

Type	Colour	EOC
ZZZ245 WH	White	37836900
ZZZ245 GR	Metal grey	56409000



### ZZN 245 TS UV Filter

Recessed UV protection filter to be put in the inner part of the decorative ring ZZZ 245, which must be ordered separately.

ZZN 245 UV filter

Type	EOC
ZZN245 UV FILTER	37718699



### GBS 245 T5 Turbo louvre

Turbo louvre which can be used with all deco technical downlights for PL-C lamps to obtain a higher visual comfort. To be inserted in the downlight before mounting the decorative ring ZZZ 245, which must be ordered separately.

GBS 245 T5 Turbo louvre

Type	EOC
GBS245 T5 TURBO LOUVRE	37007100

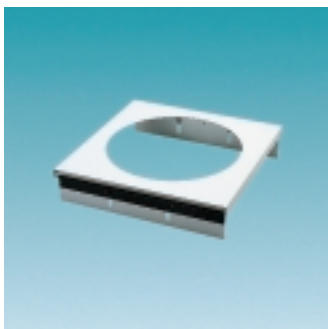


### ZZG 245 Aqua corolla

Decorative pendant accessory to be suspended to the decorative ring ZZZ 245, which must be ordered separately. The corolla has a length of 75 mm.

ZZG 245 Aqua Corolla

Type	EOC
ZZG245 AQUA COROLLA	56459300



### ZBS 245 - ZBS 245/R

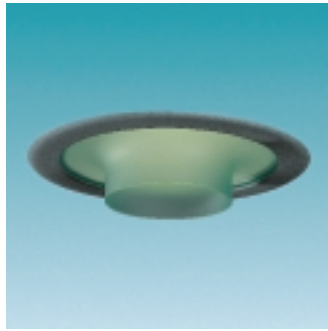
Stripceiling plate. To mount all 245 technical downlights in stripceilings. ZBS 245 suitable for Luxalon 80B. ZBS 245/R suitable for Luxalon 84R.

ZBS 245 - ZBS 245/R

Type	EOC
ZBS245	60336199
ZBS245/R	38047699



ZZG 245 Aqua wave cover



ZZG 245 Aqua wave cover

**ZZG 245 Aqua wave cover**

Decorative recessed cover to be put in the inner part of the decorative ring ZZZ 245, which must be ordered separately.

This accessory is reversible to provide choice of two different visual aspects.

Type	EOC
ZZG245 AQUA WAVE COVER	56458600

