



Gondola

FWG200 2xPL-C/2P18W I ALU

FWG200 - 2 pcs - MASTER PL-C 2 Pin - 18 W - Inductive
- Aluminum

Gondola is a waterproof and shock- and vandal-resistant luminaire with a fresh, appealing design. Its highly efficient HF driver significantly reduces energy consumption, while the long lifetime of the light source means that maintenance costs are kept to a minimum. Gondola can be wall- or ceiling-mounted and is ideal for efficient illumination of areas such as stairwells and corridors.

Product data

• General information

Product family code	FWG200 [FWG200]
Number of lamps	2 [2 pcs]
Lamp family code	PL-C/2P [MASTER PL-C 2 Pin]
Lamp power	18 W [18 W]
Compensation circuit	I [Inductive]
Gear	CONV [Conventional]
Emergency lighting	No [-]
Safety class	CLI [Safety class I]
IP code	IP66 [Dust penetration-protected, jet-proof]
IK code	IK10 [20] vandal-resistant]
Color	ALU [Aluminum]
Glow-wire test	850/5 [Temperature 850 °C, duration 5 s]
Flammability mark	F [For mounting on normally flammable surfaces]
European Community mark	CE [CE mark]
ENEC mark	ENEC [ENEC mark]

• Electrical

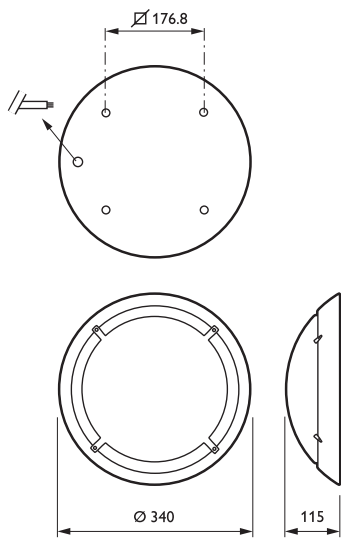
Supply voltage	230 V [230 V]
----------------	---------------

• Product Data

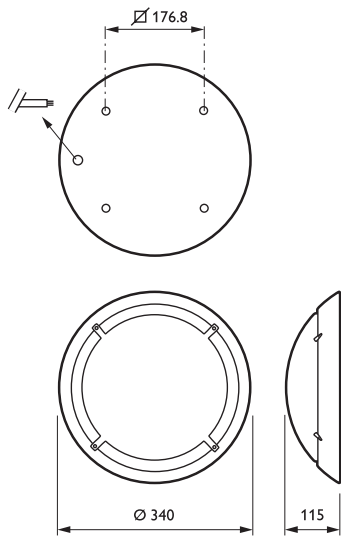
Order code	910500727018
Full product code	910500727018
Full product name	FWG200 2xPL-C/2P18W I ALU
Order product name	FWG200 2xPL-C/2P18W I ALU
Pieces per pack	0
Packs per outerbox	1
Bar code on outerbox - EAN3	8711559656656
Logistic code(s) - 12NC	910500727018
Net weight per piece	2.200 kg



Dimensional drawing



FWG/QWG200



FWG/QWG200



© 2012 Koninklijke Philips Electronics N.V.
All rights reserved.

Specifications are subject to change without notice. Trademarks are the property of Koninklijke Philips Electronics N.V. or their respective owners.

www.philips.com/lighting

2012, April 10
data subject to change