



# Gondola

FWG200 1xPL-C/4P18W | EL1 ALU

FWG200 - 1 pc - MASTER PL-C 4 Pin - 18 W -  
Emergency lighting 1 hour duration

Gondola is a waterproof and shock- and vandal-resistant luminaire with a fresh, appealing design. Its highly efficient HF driver significantly reduces energy consumption, while the long lifetime of the light source means that maintenance costs are kept to a minimum. Gondola can be wall- or ceiling-mounted and is ideal for efficient illumination of areas such as stairwells and corridors.

## Product data

### • General information

Product family code	FWG200 [FWG200]
Number of lamps	1 [1 pc]
Lamp family code	PL-C/4P [MASTER PL-C 4 Pin]
Lamp power	18 W [18 W]
Compensation circuit	I [Inductive]
Gear	CONV [Conventional]
Emergency lighting	EL1 [Emergency lighting 1 hour duration]
Safety class	CLI [Safety class I]
IP code	IP66 [Dust penetration-protected, jet-proof]
IK code	IK10 [20 ] vandal-resistant]
Color	ALU [Aluminum]
Glow-wire test	850/5 [Temperature 850 °C, duration 5 s]
Flammability mark	F [For mounting on normally flammable surfaces]
European Community mark	CE [CE mark]
ENEC mark	ENEC [ENEC mark]

### • Electrical

Supply voltage	230 V [230 V]
----------------	---------------

### • Product Data

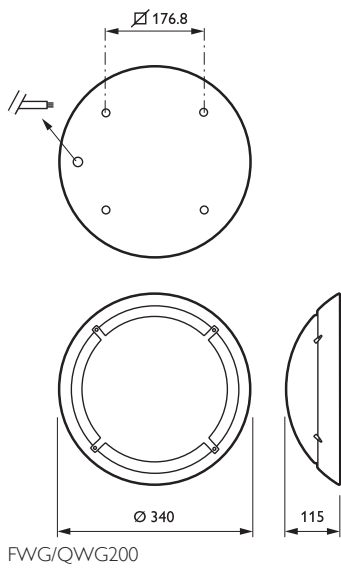
Order code	656687 00
Full product code	871155965668700
Full product name	FWG200 1xPL-C/4P18W   EL1 ALU
Order product name	FWG200 1xPL-C/4P18W   EL1 ALU
Pieces per pack	0
Packs per outerbox	1
Bar code on outerbox - EAN3	8711559656687
Logistic code(s) - 12NC	910500727318
Net weight per piece	1.100 kg



# PHILIPS

sense and simplicity

## Dimensional drawing



© 2011 Koninklijke Philips Electronics N.V.  
All rights reserved.

Specifications are subject to change without notice. Trademarks are the property of Koninklijke Philips Electronics N.V. or their respective owners.

[www.philips.com/lighting](http://www.philips.com/lighting)

2011, November 26  
data subject to change