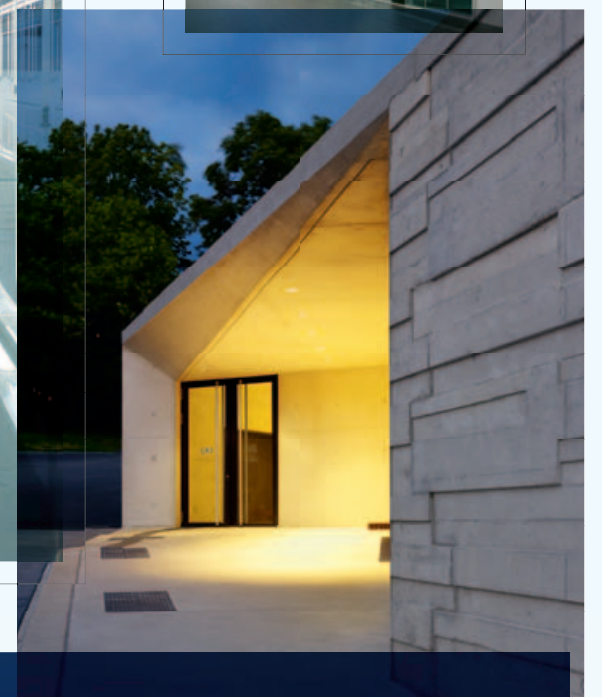
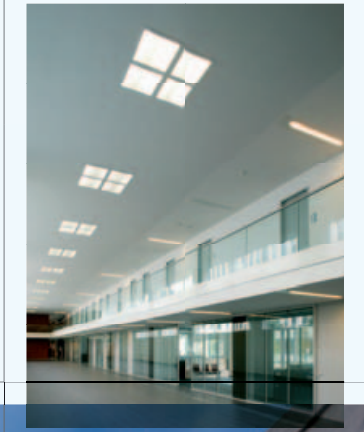


OSRAM Luminaire Program 2012



Luminaire Program 2012

OSRAM AG

Head Office
Hellabrunner Strasse 1
81543 Munich
Germany
Phone +49 (0)89-6213-0
Fax +49 (0)89-6213-20 20
www.osram.com

1DMK001GB 04/12 St. Subject to change without notice. Errors and omission excepted.



SEE THE WORLD IN A NEW LIGHT



Content

Creating the future of light with OSRAM	4
Lighting solutions for today with excellent efficiency	6
Count on the future!	8
Siteco – a powerful addition	10
Double the power for new ideas in lighting: OSRAM and Traxon Technologies	12
Indoor	19
Outdoor	217
Overview by product name	280
Light management systems	290
Professional light planning with OSRAM	292
See the world in a new light	293
Specification and safety	294
Symbols	296

Any manipulation of our products or packaging, including but not limited to modification, reworking or restamping, is prohibited and infringes our registered trademark rights. Such modifications may impair the technical properties of our products, destroy them or cause consequential damage or injury, for which OSRAM cannot under any circumstances be held responsible.

For more information on our products go to:

www.osram.de
www.osram.com



Printed on paper treated with chlorine-free bleach.

Subject to change without notice. Errors and omission excepted. The pictures in the catalog are for illustration purposes only.

Luminaire Program 2012

SEE THE WORLD IN A NEW LIGHT



Creating the future of light with OSRAM

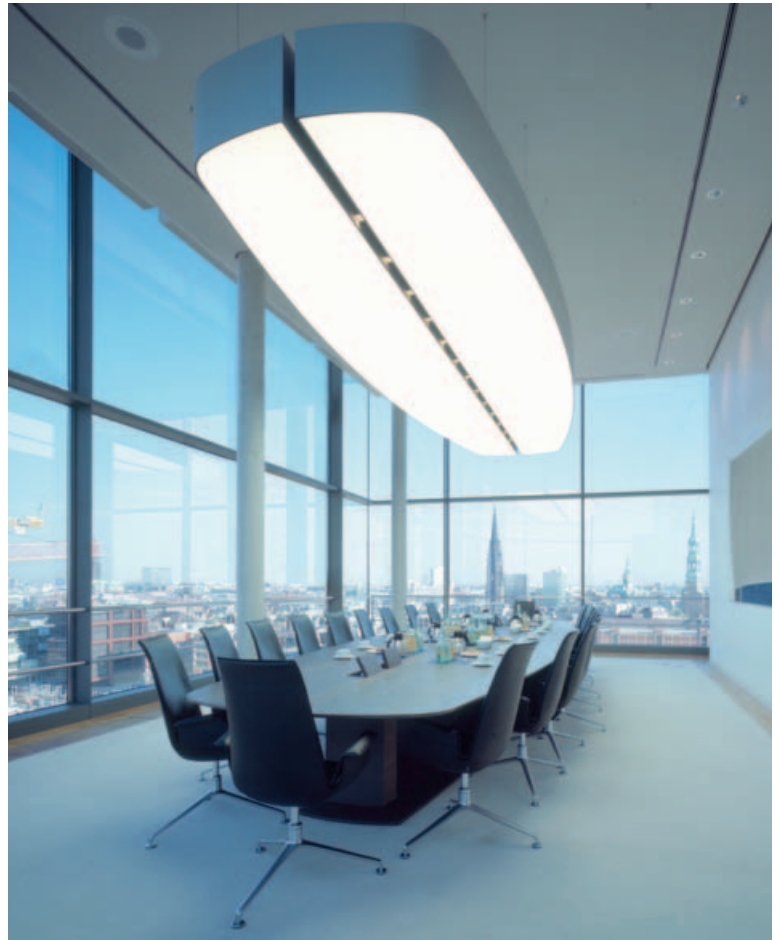
The lighting market is going through a period of technological change, with semiconductor-based technologies such as LEDs and OLEDs presenting customers with new possibilities in terms of efficiency, quality of light and flexibility. As a premium supplier, OSRAM is playing a leading role here.

For more than 100 years, the trademark OSRAM stands for innovative and sustainable developments in the global lighting market. Today, OSRAM is one of the world's largest

suppliers of products and solutions for a wide range of customer requirements – from lamps and modules to luminaires and high-efficiency light management systems.

OSRAM focuses all its resources on the subject of light, actively supporting its customers in making the best choices to meet their individual requirements. With more than 40000 employees in around 150 countries, OSRAM develops tailor-made solutions to cover the specific needs of its customers.





Passion for light, solutions for life.

LED technology is already a crucial factor here. LED-based products now account for around 25 percent of OSRAM's total sales. OSRAM covers the entire LED value-added chain, from components to light management solutions. And with around 8000 LED patents, OSRAM has a considerable influence on the further development of LED technologies.

As a "pure light player", OSRAM is a strong global brand, and as a leading innovator in all application and technology sectors, it is shaping the digital future of the lighting industry.

Fiscal Year 2011 (ended September 30, 2011)

Lighting solutions for today with excellent efficiency

LED technology from OSRAM provides perfect illumination for all areas of application



Innovative LED technology from OSRAM provides major benefits for luminaire manufacturers, lighting designers and end users alike.

Due to their outstanding energy efficiency, high light quality and numerous application possibilities, LEDs are today's most flexible sources of light. Their ruggedness, along with their extremely long service life, ensures low maintenance requirements and long replacement intervals, providing low total cost of ownership over time.

LED products from OSRAM can be installed and used almost anywhere: They provide perfect illumination in domestic, industrial or office environments. They create a pleasant ambience in restaurants, hotels, shops or other places open to the public. And outdoors, they can be used to highlight architectural details, such as facades, towers or entire buildings, to name just a few.

As the highly competent and experienced manufacturer, OSRAM offers a broad range of LED products – from LED lamps, modules, light engines, drivers and controllers to entire luminaires. Even customized LED modules can be produced in order to meet individual requirements. And thanks to perfectly matched components, everything can be easily combined, creating highly efficient, easy-to-use LED system solutions.



Count on the future!

OSRAM's energy-efficient indoor and outdoor luminaires offer an outstanding performance in every respect. The service life of our LED luminaires, for example, is up to 25 times longer than that of luminaires equipped with conventional incandescent lamps. Moreover, luminaire systems with LED modules or compact fluorescent lamps can reduce the energy consumption by up to 80 %.



Our mercury-free LED luminaires do not only lower CO₂ emissions, they also help to prevent waste. And the best thing about it: in addition to being environmentally friendly, switching over to efficient luminaires also pays off – for you and your customers.

**Sustainability with luminaires from OSRAM –
easy on the environment and easy on your wallet.**





Siteco – a powerful addition



siteco

AN OSRAM BUSINESS

Luminaires and lighting systems now account for more than two-thirds of the worldwide lighting market. With the successful acquisition of Siteco Beleuchtungstechnik GmbH, OSRAM AG has enhanced its reputation as a supplier of lighting solutions by adding an extensive range of modern products to its portfolio of indoor and outdoor luminaires.

The acquisition of Siteco – and the combination of the expertise of OSRAM and Siteco – has strengthened the companies' position in the worldwide market for innovative lighting technology – for example with LED-based lighting systems, versatile control gear and advanced light management systems, as well as classic energy-saving lamps and complete luminaires.

For more information about Siteco's innovative lighting solutions, please visit www.siteco.com, where you can also download or order catalogs and brochures.



Double the power for new ideas in lighting: OSRAM and Traxon Technologies



Traxon Technologies, together with its control brand e:cue, is a global leader in solid state lighting and control systems providing complete, sustainable and intelligent lighting solutions. Working with an extensive partner network, Traxon Technologies transforms creative visions into unforgettable lighting experiences, elevating architectural, entertainment, hospitality and retail environments around the world.

Flexibility, simplicity and innovation are the guiding principles of the company. These values drive and shape every working process – from product development to planning and on-site project management to the final customized solution.

Among the customers and partners of Traxon Technologies are the leading companies in international lighting design, architecture and engineering. Together with them, Traxon and e:cue have completed over 4000 installations worldwide, including renowned architectural landmarks such as

the Yas Hotel in Abu Dhabi, the Esprit flagship store in Frankfurt and the Christ statue in Rio de Janeiro. The company's product portfolio has won many prestigious awards, such as the iF Design Award, the Red Dot Design Award and the LFI Innovation Award, and therefore stands for innovation, aesthetic design and creativity.

Traxon Technologies, a joint venture with OSRAM participation since 2009, was completely acquired by OSRAM in 2011, thus strengthening the position of the company in the market by combining knowledge and experience in technology and marketing, and building on synergies with OSRAM's global presence.

For more information about Traxon's innovative lighting solutions, please visit www.traxontechnologies.com, where you can also download or order catalogs and brochures.



INDOOR

Indoor



With their design and the light that they emit, luminaires have a huge impact on the interior architecture of buildings. As a lighting professional, OSRAM offers aesthetic, innovative lighting solutions for an extremely wide range of industrial and commercial applications – easy to install, efficient and functional, and with an outstanding price-performance ratio.



OUTDOOR

Outdoor

In outdoor applications in particular, luminaires have to be economical and robust, yet easy to install and easy to maintain. OSRAM products combine these properties with an excellent quality of light that is tailored to the specific requirements of the relevant application and a design that can be integrated harmoniously into any architecture.







Indoor

Pendant luminaires	21
Wall and ceiling luminaires	31
Batten luminaires	51
Decoration & Living	77
Under-cabinet luminaires	83
Recessed luminaires	103
Spotlights	121
Downlights	129
Trunking systems	147
Modular systems	163
Damp-proof luminaires	169
High-bay luminaires	179
Table lights	183
Nightlights	187
Mobile lights	193
Garlands	209



Classy, cutting-edge, extraordinary.

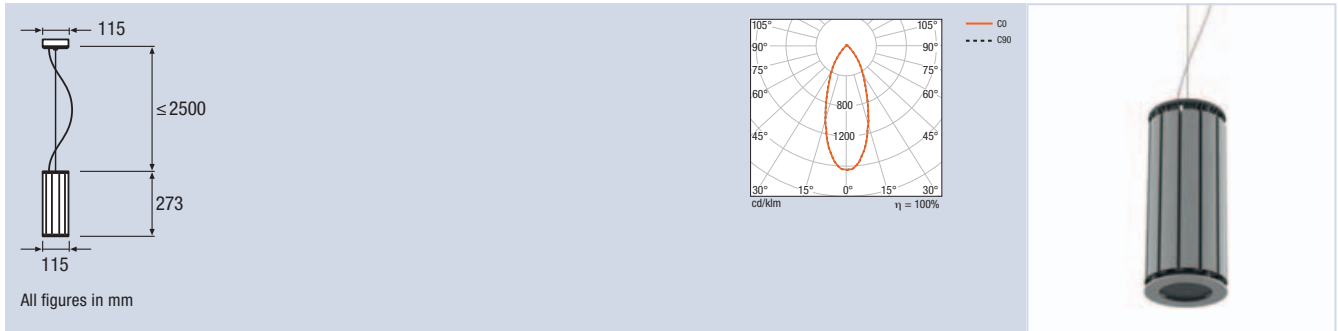
When it comes to home or office rooms, the lighting is all about style and aesthetics. With pendant luminaires from OSRAM, all is set for a unique and elegant illumination. No matter if used for indirect, functional or accent lighting, OSRAM's new lighting concepts combine high-quality design with all the benefits of innovative luminaires: warm and brilliant light as well as energy-saving and long-life technology.

Pendant luminaires


LEDVANCE® PENDANT	22
APOLLON® II	24
FLORALUMEN®	26
SILENTO™	27
TRESOL® Trio and TRESOL® Cube Trio	28
CALYX® Pendant	29




LEDVANCE® PENDANT

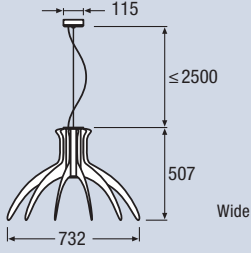


All figures in mm

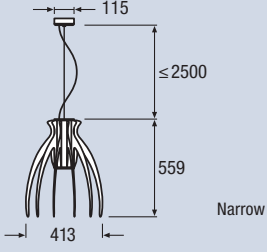
Product reference	Product number	COLOR	W	K	lm	cd	lm/W	Ra	
LEDVANCE® PENDANT M									
PENDANT M 930 L44 BK	4008321757289	black	11	3000	700	1100	63	> 90	4x1
PENDANT M 930 L44 GR	4008321757302	gray	11	3000	700	1100	63	> 90	4x1
PENDANT M 840 L44 BK	4008321757326	black	11	4000	700	1100	63	> 85	4x1
PENDANT M 840 L44 GR	4008321757340	gray	11	4000	700	1100	63	> 85	4x1
LEDVANCE® PENDANT L									
PENDANT L 930 L44 BK	4008321757180	black	20	3000	1300	1700	65	> 90	4x1
PENDANT L 930 L44 GR	4008321757203	gray	20	3000	1300	1700	65	> 90	4x1
PENDANT L 840 L44 BK	4008321757234	black	20	4000	1300	1700	65	> 85	4x1
PENDANT L 840 L44 GR	4008321757265	gray	20	4000	1300	1700	65	> 85	4x1
LEDVANCE® PENDANT XL									
PENDANT XL 930 L44 BK	4008321757104	black	28	3000	1800	2400	64	> 90	4x1
PENDANT XL 930 L44 GR	4008321757128	gray	28	3000	1800	2400	64	> 90	4x1
PENDANT XL 840 L44 BK	4008321757142	black	28	4000	1800	2400	64	> 85	4x1
PENDANT XL 840 L44 GR	4008321757166	gray	28	4000	1800	2400	64	> 85	4x1
LEDVANCE® PENDANT XXL									
PENDANT XXL 930 L44 BK	4008321757029	black	46	3000	2500	3300	55	> 90	4x1
PENDANT XXL 930 L44 GR	4008321757043	gray	46	3000	2500	3300	55	> 90	4x1
PENDANT XXL 840 L44 BK	4008321757067	black	43	4000	2500	3300	58	> 85	4x1
PENDANT XXL 840 L44 GR	4008321757081	gray	43	4000	2500	3300	58	> 85	4x1

LEDVANCE® PENDANT accessories


Product reference	Product number	COLOR	
Decorative accessories			
Decorative accessory wide BK	4008321756329	black	1x1
Decorative accessory narrow BK	4008321756336	black	1x1
Decorative accessory wide WT	4008321756343	white	1x1
Decorative accessory narrow WT	4008321756350	white	1x1



Wide



Narrow



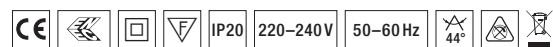
All figures in mm

Product features:

- Luminous flux:
700 lm (M), 1300 lm (L), 1800 lm (XL), 2500 lm (XXL)
- Luminaire efficacy up to 65 lm/W
- Color rendering index up to $R_a > 90$
- Active color stabilization system
- Luminaire color:
white aluminum (RAL 9006) or jet black (RAL 9005)
- Color temperature:
3000 K (warm white) or 4000 K (neutral white)
- Beam angle: 44°
- Passive cooling system
- Average life: 50000 h
- Type of protection: IP20
- Decorative accessories available
- 5-year guarantee

Product benefits:

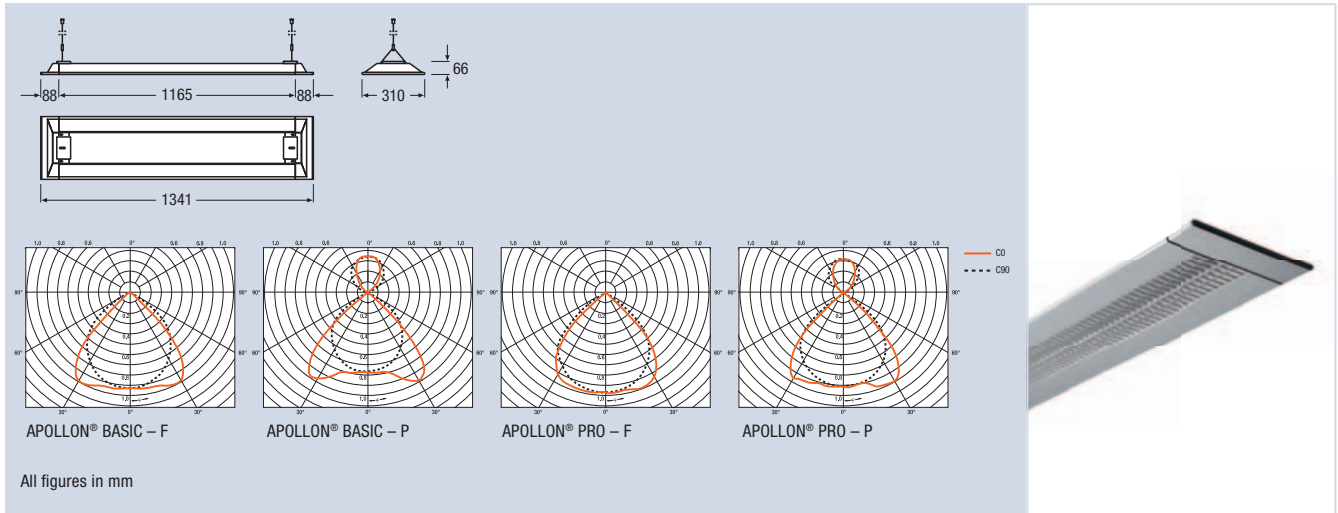
- State-of-the-art OSRAM PrevaLED® HD system for excellent illumination
- Accessories allow the usage in decorative applications
- Efficient replacement of HID systems
- High energy savings compared to halogen solutions
- High color rendering for the best product presentation
- Maximum profitability due to the high luminaire efficacy
- Stable color temperature within the entire luminaire lifetime
- UV-/IR-free LED systems reduces UV-/IR-related bleaching
- Nearly maintenance-free within the luminaire lifetime
- Accessory customization upon request



For details and conditions, see www.osram.com/guarantee

PENDANT LUMINAIRES

APOLLON® II



Product reference

Product number

W

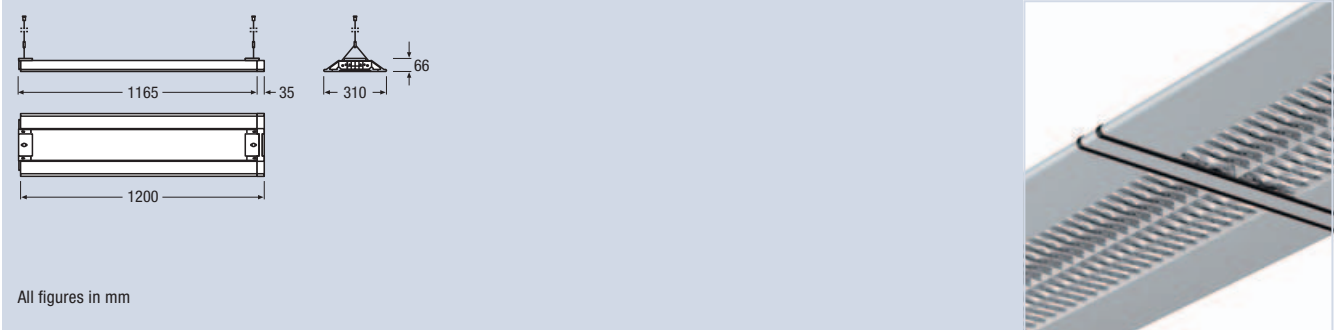
mm



APOLLON® II

Product reference	Product number	W	mm	Icon
APOLLON II BASIC - F	4008321657107	2x28 HE	1130	1x1
APOLLON II BASIC - P	4008321657374	2x28 HE	1130	1x1
APOLLON II PRO - F	4008321657381	2x28 HE/2x54 HO	1130	1x1
APOLLON II PRO - P	4008321657398	2x28 HE/2x54 HO	1130	1x1





All figures in mm

Product reference	Product number	W		
APOLLON® II row system				
APOLLON II BASIC – F row system	4008321657435	2x28 HE	1130/70	1x1
APOLLON II BASIC – P row system	4008321657503	2x28 HE	1130/70	1x1
APOLLON II PRO – F row system	4008321657510	2x28 HE/2x54 HO	1130/70	1x1
APOLLON II PRO – P row system	4008321657527	2x28 HE/2x54 HO	1130/70	1x1

Impressive efficiency, flexible applications, high-quality materials and first-class workmanship – those are the features of APOLLON® II. With its slimline brushed aluminum casing, APOLLON® II's versatile design is suitable for both modern and traditional interiors. The luminaire has been designed down to the last detail so it is easy to install – either as a surface-mounted ceiling fitting or as a pendant fitting.

Features and benefits:

- High-quality louver system luminaire
- Surfaced-mounted luminaire: -F
- Pendant luminaire: -P
- BASIC: For 2x28W HE lamps (not included)
 - double parabolic specular louver (as per EN 12464-1)
 - UGR 19
 - QTP5 2x24-39
- PRO: For 2x28W HE or 2x54W HO lamps (not included)
 - double parabolic specular louver combined with MIRO® 4 silver surface (as per EN 12464-1)
 - UGR 16
 - with DALI® interface: QT i DALI® DIM
- Available as single luminaire with two end caps or row system with one connector (without end caps). For each run, a standard single luminaire is needed, together with a number of “row system” luminaires.



FLORALUMEN®

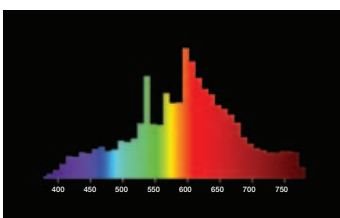
All figures in mm

Product reference	Product number	Ordering number	COLOR		W		cd	
FLORALUMEN®-P								
FLORALUMEN-P 35W 830 (WDL) 30°	4008321 962959	76120-21	white	830	35	30	8000	2x1
FLORALUMEN-P 70W 830 (WDL) 30°	4008321 962966	76121-21	white	830	70	30	13800	2x1

All figures in mm

Product reference	Product number	Ordering number	COLOR		W		cd	
FLORALUMEN®-F								
FLORALUMEN-F 35W 830 (WDL) 30°	4008321 962973	76220-21	white	830	35	30	8000	2x1
FLORALUMEN-F 70W 830 (WDL) 30°	4008321 962980	76221-21	white	830	70	30	13800	2x1

FLORALUMEN® meets all the requirements of modern plant lighting. High-quality materials, stylish design, a balanced spectrum of light and excellent energy efficiency are the outstanding features of this luminaire.



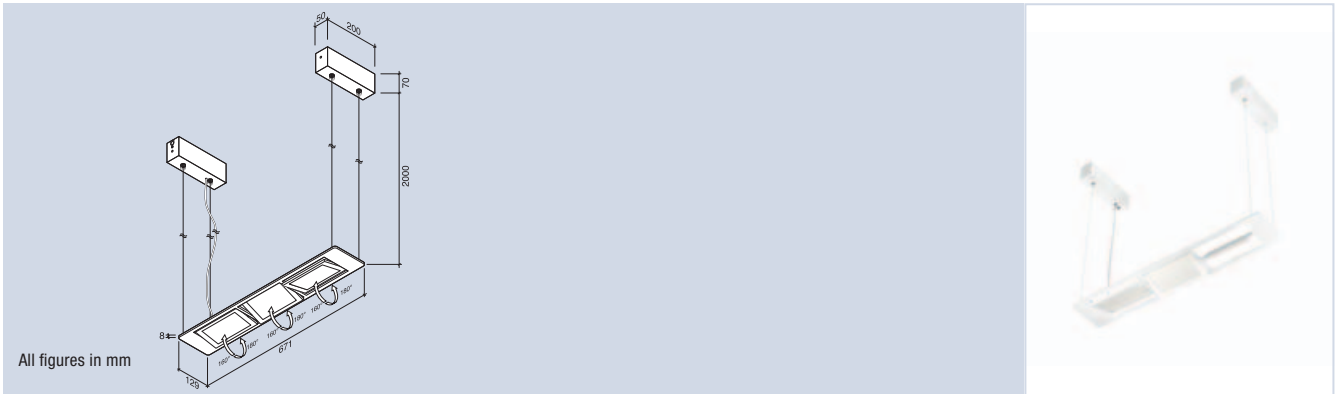
For details and conditions, see www.osram.com/guarantee

Features and benefits:

- High-quality white aluminum casing (RAL 9016)
- Powerful plant luminaire with HCL® lamp technology and OSRAM POWERTRONIC® inside
- Light spectrum with balanced blue and red components for healthy plant growth
- FLORALUMEN®-P: pendant luminaire with up to 2 m of cable for ceiling mounting
- FLORALUMEN®-F: for fixed mounting on walls or ceilings
- Delivery time on request

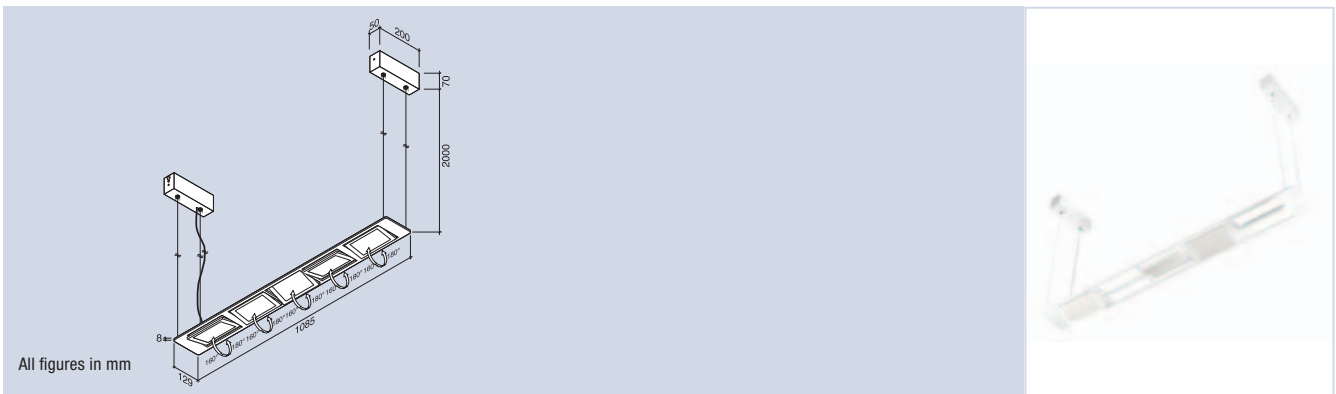


SILENTO™



All figures in mm

Product reference	Product number	COLOR	t[h]	W	V	lm	K	°	Icons
SILENTO™ Poco									
SILENTO Poco	4008321985651	white	25000	18	220-240	900	3000	120	2x1



All figures in mm

Product reference	Product number	COLOR	t[h]	W	V	lm	K	°	Icons
SILENTO™ Lungo									
SILENTO Lungo	4008321985668	white	25000	30	220-240	1500	3000	120	2x1

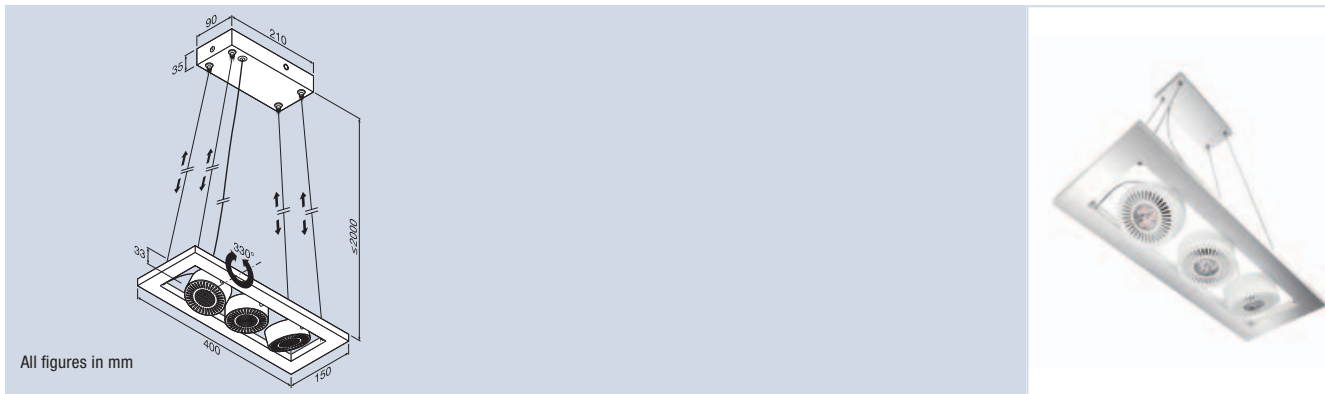
SILENTO™ pendant luminaires with adjustable 7" LED panels which create a direct and indirect warm-white light atmosphere. The 7" panels are rotatable, so that a turn of 180° enables indirect lighting. Pendant kit enables to justify the length of the suspension easily during installation. The panels are rotatable independently from each other.

Features and benefits:

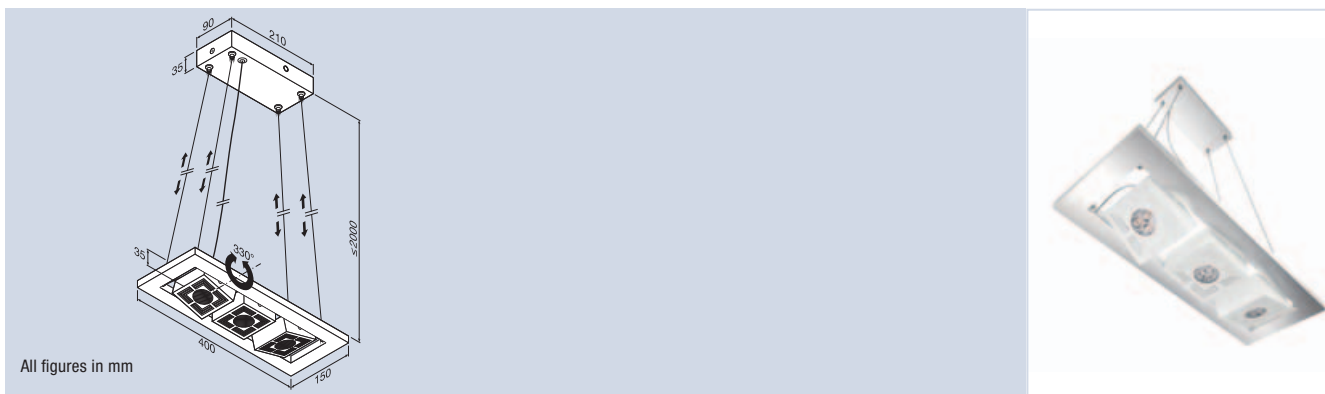
- LED technology which provides long lifetime
- Ultra-thin purist design
- Panel technology which creates harmonious light
- Rotatable panels
- Indirect and direct lighting



TRESOL® Trio and TRESOL® Cube Trio



Product reference	Product number	COLOR	t[h]	W	lm	K	°	Icons
TRESOL® Trio								
TRESOL Trio	4008321985477	silver/white	25000	3x4.5	3x165	3000	30	4x1



Product reference	Product number	COLOR	t[h]	W	lm	K	°	Icons
TRESOL® Cube Trio								
TRESOL Cube Trio	4008321985491	silver/white	25000	3x4.5	3x165	3000	30	4x1

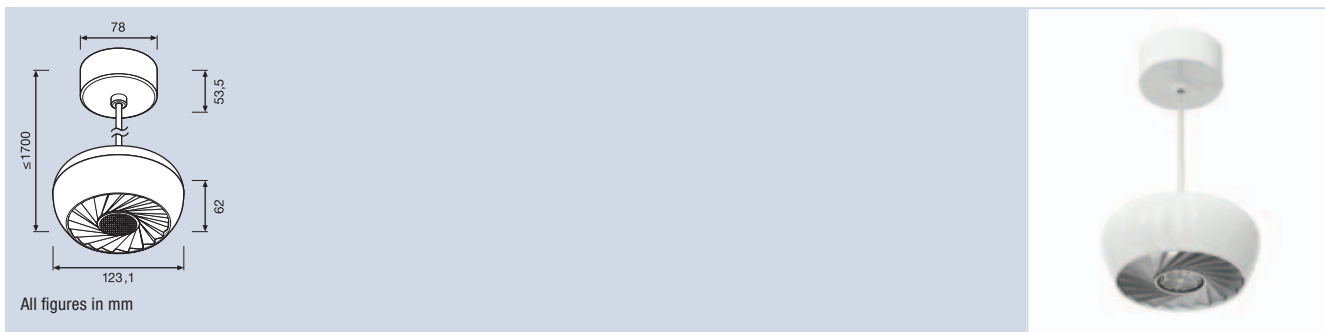
Features and benefits:

- Ideal for dining rooms, kitchen tables
- Pendant LED luminaires with aluminum frame in high-value design
- Round or square modules

- Adjustable modules (330°) for easy direction of light output
- Adjustable in height via easy pendant kit
- High-power LED for high light output



CALYX® Pendant



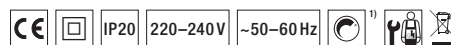
All figures in mm

Product reference	Product number	COLOR	t(h)	W	lm	K	°	Icons
CALYX® Pendant								
CALYX Pendant	4008321984333	white	25000	10	385	3000	35	4x1

The CALYX® range includes a pendant and a ceiling luminaire. The modern and dynamic design and the small size are ideal to highlight tables, bars and side boards with warm-white spotlight illumination. LED driver is included in the luminaire body.

Features and benefits:

- Dimmable¹⁾
- Small-sized
- Unique design
- Easy mounting



1) www.osram.com/luminaires



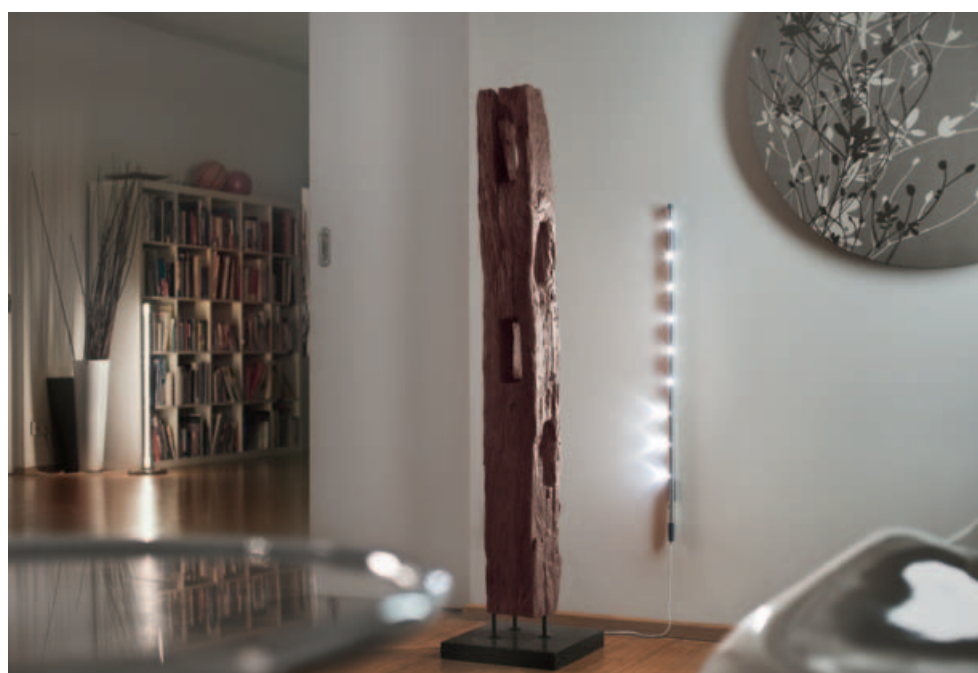


Modern, versatile, energy-saving.

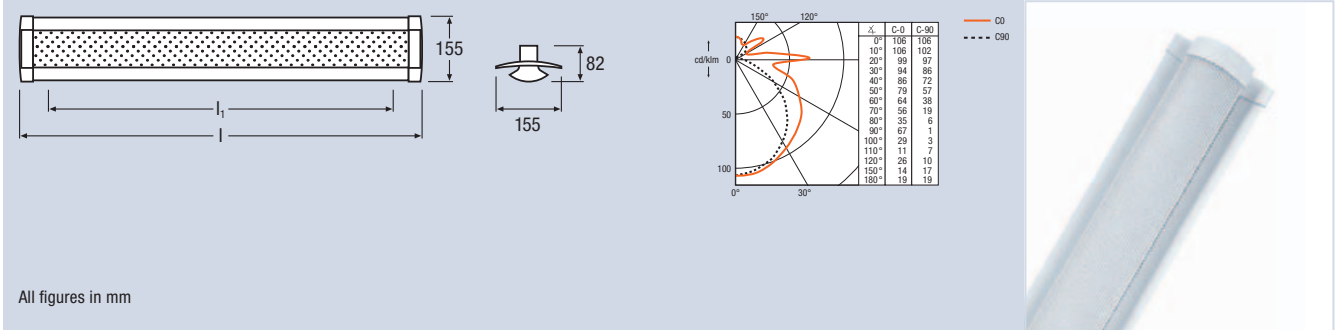
With its wide range of wall and ceiling luminaires, OSRAM meets all the design and performance requirements for modern lighting. Whether equipped with standard features, an asymmetrical reflector or an extra flat casing, all luminaires impress with their pleasant light and low energy consumption. Their installation is quick and safe, their maintenance is minimal and easy and their lifetime is extremely long. Moreover, extraordinary designs ensure that the luminaires also serve as decorative eye-catchers wherever they are installed.

Wall and ceiling luminaires

OSRAM SOFTLITE® EL	32
LUMILUX DUO® T8 prismatic	34
LUMILUX DUO® T8 louver	35
LUMILUX FLATLITE® T5-F/P	36
DIADEM®	38
EUROPLEX	40
SCRIPTUS®	41
OSRAM DULUX® RONDEL	42
OSRAM DULUX® CARRÉ	43
POWERstixx®	44
CALYX® Ceiling	45
TRESOL® Trio Ceiling and TRESOL® Cube Trio Ceiling	46
TRESOL® Cube	47
TRESOL® Bloc	48



OSRAM SOFTLITE® EL



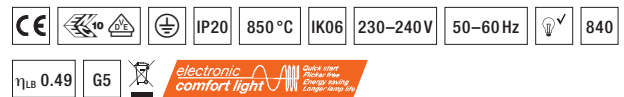
All figures in mm

Product reference	Product number	Ordering number	COLOR	W		K	[mm]	[mm]	
OSRAM SOFTLITE® EL									
SOFTLITE EL 24W	4050300535630	72535	white	24	840	4000	610	512	2x1
SOFTLITE EL 39W	4050300535654	72536	white	39	840	4000	910	812	2x1
SOFTLITE EL 54W	4050300535678	72537	white	54	840	4000	1210	1112	2x1
SOFTLITE EL 80W	4050300535692	72538	white	80	840	4000	1510	1412	2x1


OSRAM SOFTLITE® EL combines stylish design with high lighting comfort. Thanks to the LUMILUX® T5 HO/840 fluorescent lamps, these luminaires are particularly bright.

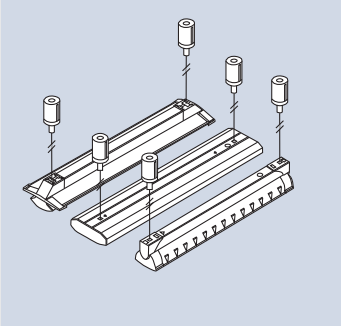

Features and benefits:

- Stylish design with high lighting comfort
- Surface-mounted luminaire with direct/indirect lighting
- Perforated cover for glare-free, soft light
- For fixed connection
- QUICKTRONIC® QTP5 Electronic Control Gear
- Including LUMILUX® T5 HO/840 fluorescent lamps



PENDANT KIT for LUMILUX DUO®, OSRAM SOFTLITE® and OSRAM ECOPACK®

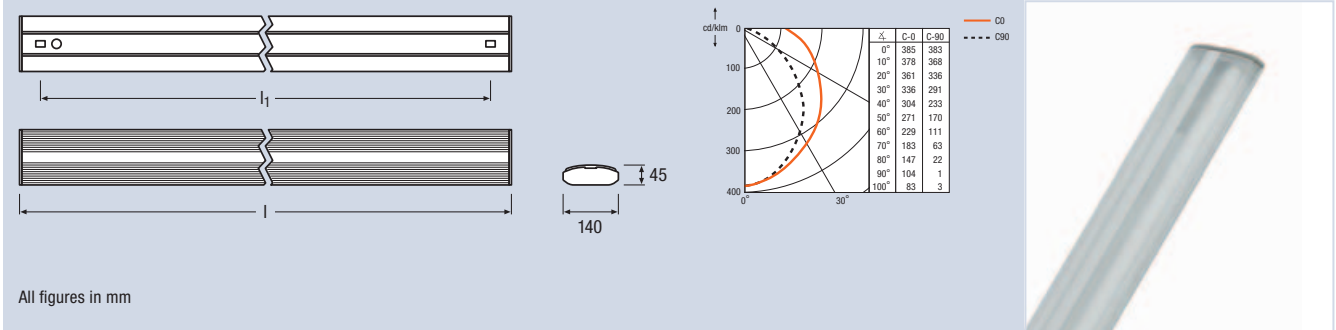
Product reference	Product number	Ordering number	COLOR	l [mm]	
PENDANT KIT					
Pendant kit	4050300792200	72097	silver	2000	4x1

Suitable for all versions of the LUMILUX DUO®, OSRAM SOFTLITE® and OSRAM ECOPACK® families of luminaires. Contains 2 brackets, adjustable cable holders, steel cable for pendant lengths of up to 2 m and cable clamps.



LUMILUX DUO® T8 prismatic



Product reference	Product number	Ordering number	COLOR	W	K	L (mm)	H (mm)	Icons
LUMILUX DUO® T8 prismatic								
LUMILUX DUO EL-F/P 2x18W	4050300774206	72085	silver	2x18	3000	626	520	4x1
LUMILUX DUO EL-F/P 2x36W	4050300774237	72086	silver	2x36	3000	1235	1130	4x1
LUMILUX DUO EL-F/P 2x58W	4050300774268	72087	silver	2x58	3000	1535	1430	4x1

[Accessories on p. 33](#)

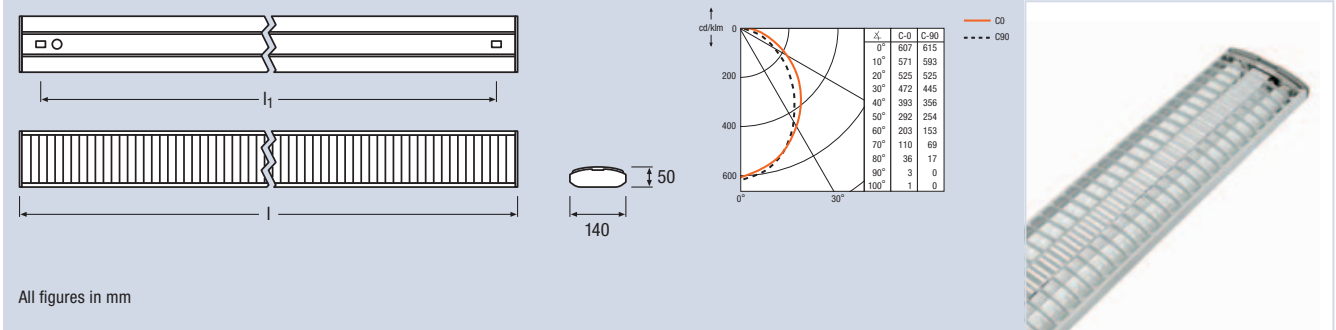
Features and benefits:

- Extremely low-profile luminaire for fixed connection
- High-quality luminaire casing made from anodized aluminum
- With prismatic lamp cover for uniform light

- With QUICKTRONIC® Electronic Control Gear
- Equipped with two LUMILUX® T8/830 fluorescent lamps



LUMILUX DUO® T8 louver



All figures in mm

Product reference	Product number	Ordering number	COLOR	W	K	I [mm]	mm	
LUMILUX DUO® T8 louver								
LUMILUX DUO EL-F/R 2x18W	4050300774299	72088	silver	2x18	3000	626	520	4x1
LUMILUX DUO EL-F/R 2x36W	4050300774329	72089	silver	2x36	3000	1235	1130	4x1
LUMILUX DUO EL-F/R 2x58W	4050300774350	72090	silver	2x58	3000	1535	1430	4x1

[Accessories on p. 33](#)

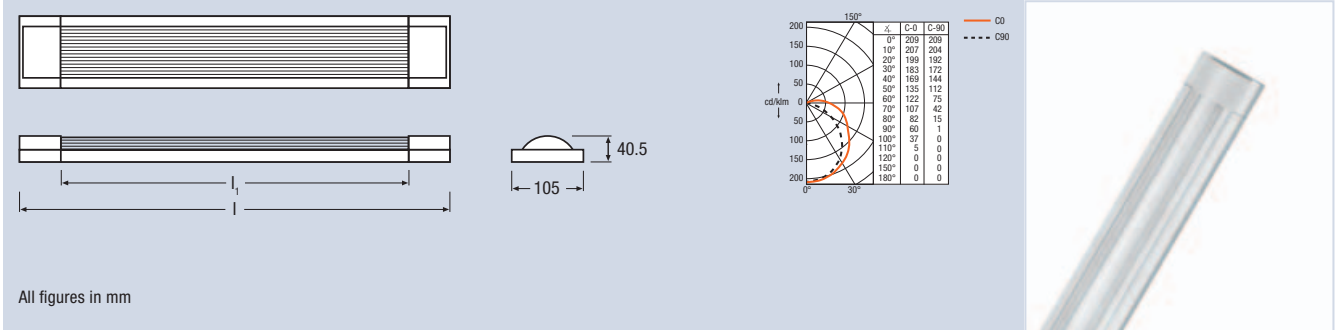
Features and benefits:

- The LUMILUX DUO® T8 louver, combined with the pendant kit accessory, is ideal for workplace lighting, for example in home offices
- Extremely low-profile luminaire for fixed connection
- With aluminum louver and highly polished reflector for glare-free light

- High-quality luminaire casing made from anodized aluminum
- With QUICKTRONIC® QTP Electronic Control Gear
- Equipped with two LUMILUX® T8/830 lamps



LUMILUX FLATLITE® T5-F/P



Product reference	Product number	Ordering number	COLOR	W	K	l [mm]	h [mm]	
LUMILUX FLATLITE® T5-F/P								
LUMILUX FLATLITE T5-F/P 24W	4008321908537	72491	white	24	3000	608	400	4x1
LUMILUX FLATLITE T5-F/P 39W	4008321908544	72492	white	39	3000	908	700	4x1
LUMILUX FLATLITE T5-F/P 54W	4008321908551	72493	white	54	3000	1208	1000	4x1
LUMILUX FLATLITE T5-F/P 49W	4008321908568	72494	white	49	3000	1508	1300	4x1


LUMILUX FLATLITE® T5-F/P are particularly compact through-wired surface-mounted luminaires for a wide variety of applications. Thanks to the LUMILUX® T5 HO/830 fluorescent lamp, they provide particularly bright light. Ideal for general lighting, or as strip lighting with the appropriate accessory (double cap).

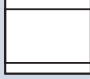
Features and benefits:

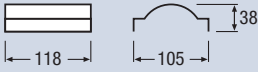
- Low-profile luminaires with high luminous efficacy for ceilings, walls and furniture
- For fixed connection
- Movable terminal strip
- Prismatic lamp cover for glare-free light
- QTP5 Electronic Control Gear



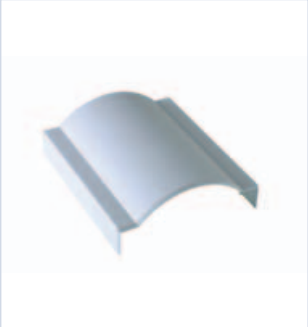
LUMILUX FLATLITE® accessory

Product reference	Product number	Ordering number	COLOR	
LUMILUX FLATLITE® accessory				
Double cap FLATLITE T5	4008321917355	72491-55	white	4x1



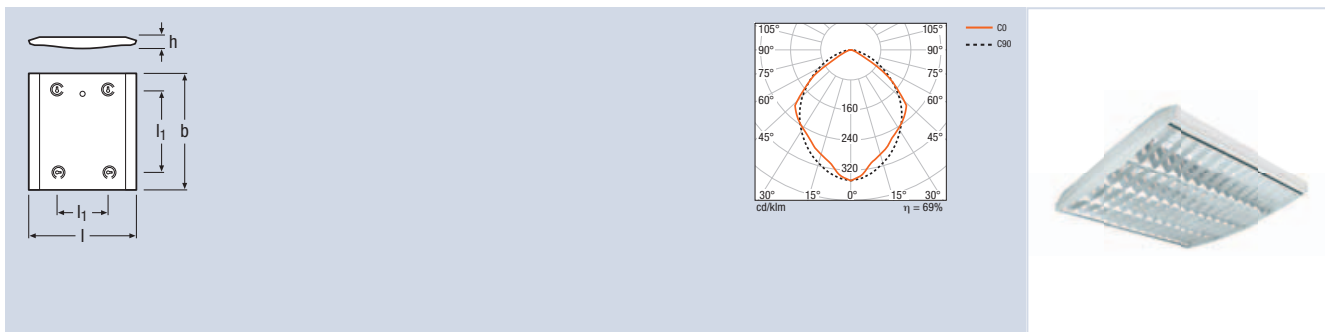


All figures in mm

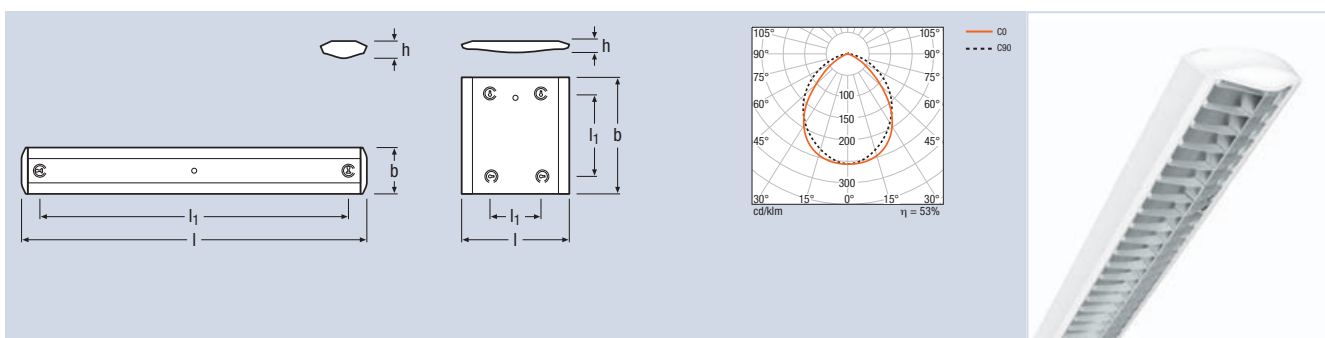


The double cap is used to connect LUMILUX FLATLITE® T5-F/P for strip lighting. It bridges the gap between the luminaires.

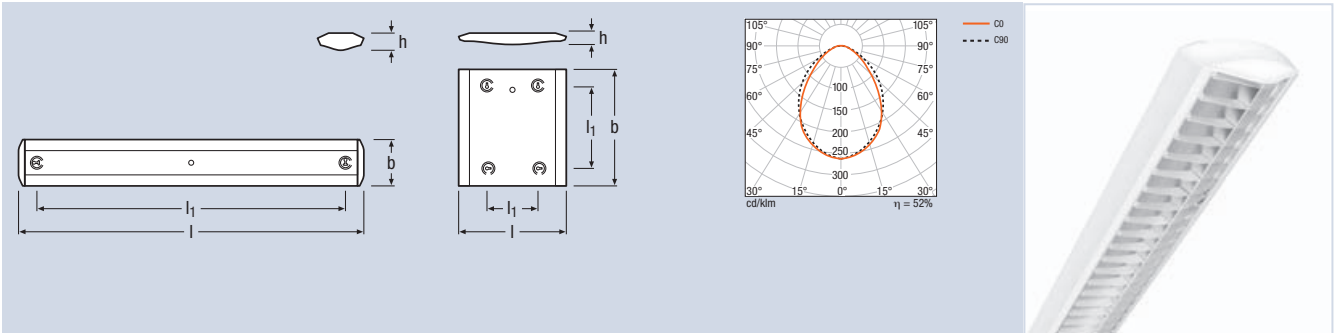
DIADEM®



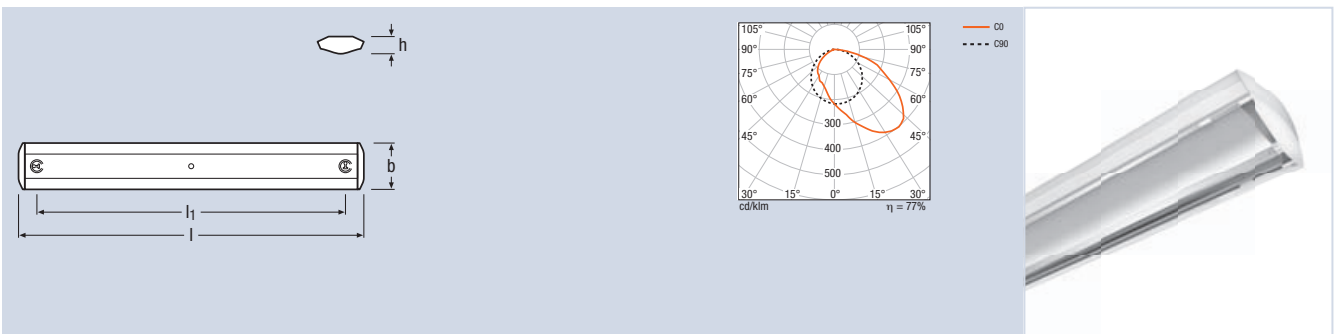
Product reference	Product number	COLOR	W	η_{LB}	$\frac{l}{[mm]}$	$\frac{b}{[mm]}$	$\frac{h}{[mm]}$	$\frac{l_1}{[mm]}$	$\frac{l_2}{[mm]}$
DIADEM® T5									
DIADEM 4x14W VABS MP	4008321 962324	white	4x14	0.69	664	610	87	440/266	1x1



Product reference	Product number	COLOR	W	η_{LB}	$\frac{l}{[mm]}$	$\frac{b}{[mm]}$	$\frac{h}{[mm]}$	$\frac{l_1}{[mm]}$	$\frac{l_2}{[mm]}$
DIADEM® T8 v-shaped alu satin									
DIADEM 2x36W VA MP	4008321 413406	white	2x36	0.53	1265	210	84	1100	1x1
DIADEM 2x58W VA MP	4008321 413420	white	2x58	0.53	1565	210	84	1400	1x1
DIADEM 4x18W VA MP	4008321 962355	white	4x18	0.53	664	610	87	440/266	1x1



Product reference	Product number	COLOR	W	η_{LB}	l [mm]	b [mm]	h [mm]	mm		
DIADEM® T8 v-shaped white										
DIADEM 2x36W VB MP	4008321413390	white	2x36	0.52	1265	210	84	1100	1x1	
DIADEM 2x58W VB MP	4008321413413	white	2x58	0.52	1265	210	84	1100	1x1	
DIADEM 4x18W VW MP	4008321962348	white	4x18	0.52	664	610	87	440/266	1x1	



Product reference	Product number	COLOR	W	η_{LB}	l [mm]	b [mm]	h [mm]	mm		
DIADEM® T8 asymmetric										
DIADEM 1x58W ASM	4008321962331	white	1x58	0.77	1565	210	84	1400	1x1	

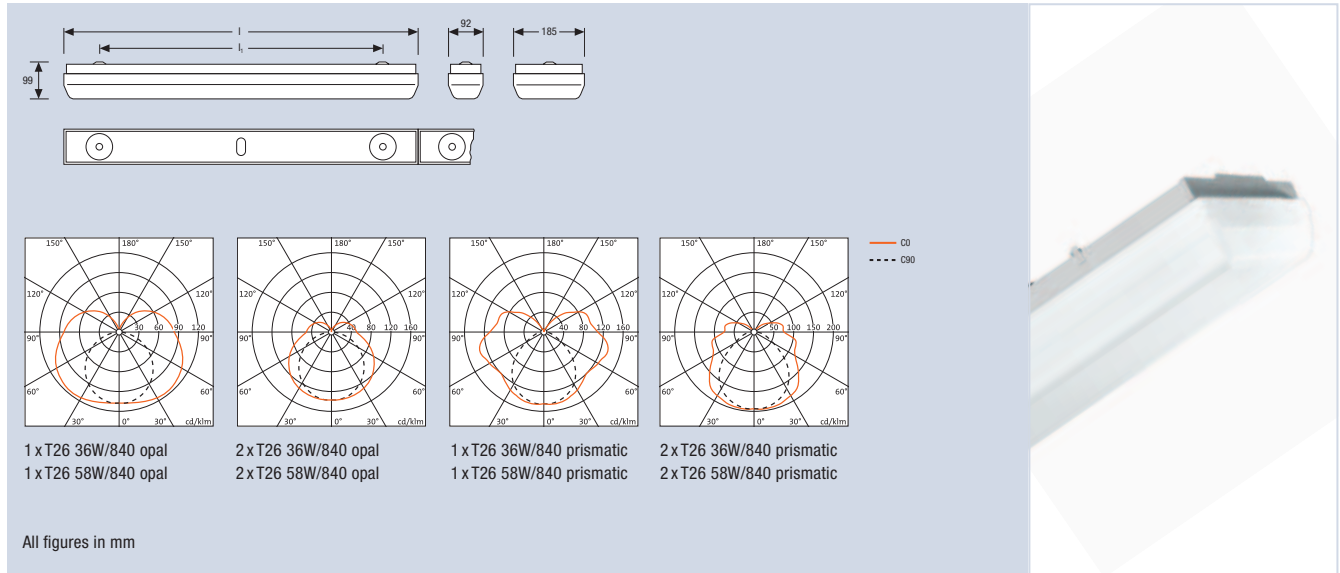
Features and benefits:

- Symmetrical V reflector and micro-perforated lamella
- Coated metal casing (RAL 9016)
- Curved polycarbonate end caps (RAL 9016)
- 4-clip fastening for the louver
- Simple relamping thanks to retaining cable on the reflector unit

- Connection with 3-pin double plug terminal
- Integrated QUICKTRONIC® control gear (EEI=A2)
- Asymmetric version especially for board and wall illumination
- Suitable for LUMILUX® T8 or T5 fluorescent lamps



EUROPLEX

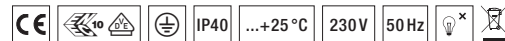


Product reference	Product number	COLOR	W	K	l [mm]	mm	
EUROPLEX							
EUROPLEX with opal diffuser (Siteco)	4039806604651	white	1x36	5000	1270	1020	1x1
EUROPLEX with opal diffuser (Siteco)	4039806604729	white	1x58	5000	1570	1320	1x1
EUROPLEX with opal diffuser (Siteco)	4039806604699	white	2x36	6400	1270	1020	1x1
EUROPLEX with opal diffuser (Siteco)	4039806604767	white	2x58	6400	1570	1320	1x1
EUROPLEX with prismatic diffuser (Siteco)	4039806616128	white	1x36	5000	1270	1020	1x1
EUROPLEX with prismatic diffuser (Siteco)	4039806616135	white	1x58	5000	1570	1320	1x1
EUROPLEX with prismatic diffuser (Siteco)	4039806604910	white	2x36	6400	1270	1020	1x1
EUROPLEX with prismatic diffuser (Siteco)	4039806604972	white	2x58	6400	1570	1320	1x1

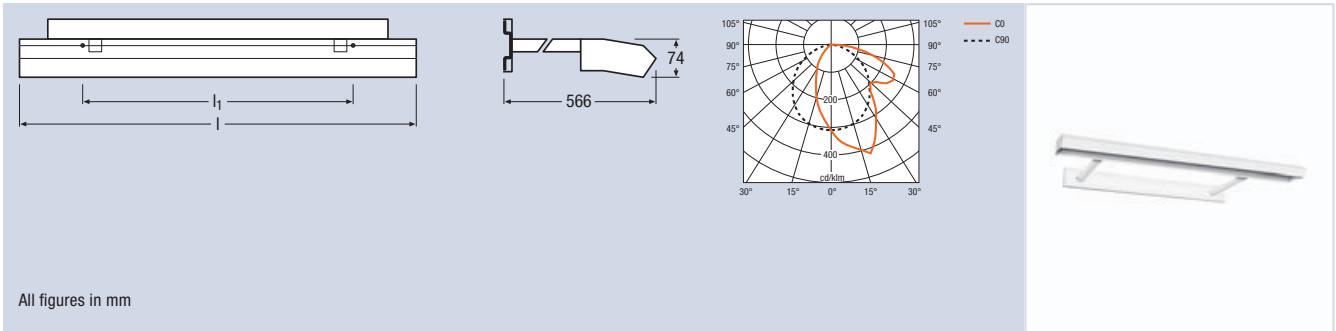
Features and benefits:

- High-grade diffuser
- Sealing for protection against dust (IP40)
- Simple fixing of enclosure via twist-lock catches
- Wide distribution for ceiling illumination with prismatic luminaire enclosure

- Diffuse distribution for ceiling illumination with opal luminaire enclosure
- Flat upper luminaire housing component of torsionally rigid sheet steel
- For use with T8/T26 lamps



SCRIPTUS®



All figures in mm

Product reference	Product number	COLOR	W	η_{LB}	l [mm]	h [mm]	Depth [mm]
SCRIPTUS®							
SCRIPTUS 1x36W HF	4050300 118185	white	36	0.78	1230	800	1x1
SCRIPTUS 1x58W HF	4050300 117638	white	58	0.81	1530	800	1x1

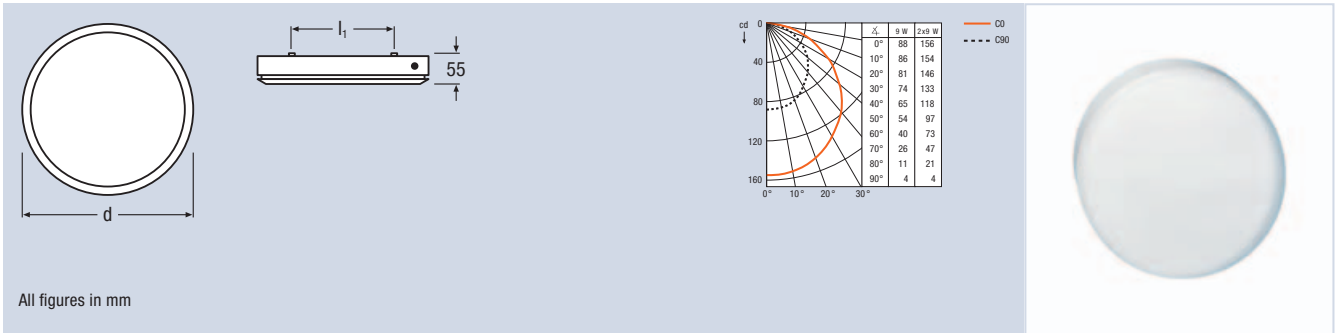
Reflector luminaire for wall mounting for illuminating paintings, boards in classrooms and advertising panels and for indirect lighting.

Features and benefits:

- Wall-mounted luminaire with asymmetrical light output
- Coated steel casing
- Asymmetrical reflector made from polished aluminum with plug fastenings
- Metal end caps
- Bracket, ceiling rose and two rods for cable routing are supplied unassembled
- Adjusted with screws
- Suitable for LUMILUX® T8 fluorescent lamps
- Integrated QUICKTRONIC® Electronic Control Gear QT-FIT8 (EEI=A2)
- Connection with 3-pin screw terminal



OSRAM DULUX® RONDEL



All figures in mm

Product reference	Product number	Ordering number	COLOR	W	K	d [mm]	h [mm]	
OSRAM DULUX® RONDEL								
OSRAM DULUX RONDEL 9W	4050300 361543	73025	white	9	2700	230	80	4x1
OSRAM DULUX RONDEL 2x9W	4050300 328737	73030	white	2x9	2700	270	126	4x1
OSRAM DULUX RONDEL 9W SENSOR	4050300 399133	73025-75	white	9	3000	230	80	4x1

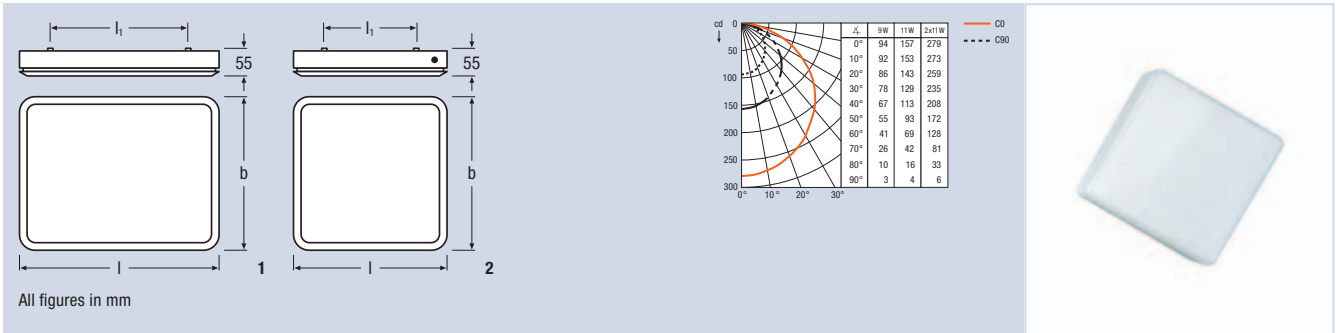
OSRAM DULUX® RONDEL are compact, round wall and ceiling luminaires in a timeless design for continuously reliable economical lighting.

Features and benefits:

- Super slim round energy-saving luminaires for indoors and outdoors
- Protected against spray water (IP43)
- Quick and simple installation
- OSRAM DULUX® RONDEL also available as two-lamp version
- OSRAM DULUX® RONDEL SENSOR with sensor-controlled adjustable dimmer switch: automatically switches on and off according to the amount of available daylight
- OSRAM DULUX® RONDEL equipped with OSRAM DULUX® S 827 compact fluorescent lamp
- OSRAM DULUX® RONDEL SENSOR equipped with OSRAM DULUX® S 830 compact fluorescent lamp



OSRAM DULUX® CARRÉ



All figures in mm

Product reference

Product number

Ordering number

COLOR

W

K

l [mm]

b [mm]

l₁ [mm]

4x1

No.

OSRAM DULUX® CARRÉ

OSRAM DULUX CARRÉ 9W	4050300012117	73040	white	9	2700	200	200	94	4x1	2
OSRAM DULUX CARRÉ 11W	4050300012100	73045	white	11	2700	270	200	164	4x1	1
OSRAM DULUX CARRÉ 2x11W	4050300314921	73050	white	2x11	2700	270	270	164	4x1	2
OSRAM DULUX CARRÉ 9W SENSOR	4050300424644	73040-75	white	9	3000	200	200	94	4x1	2

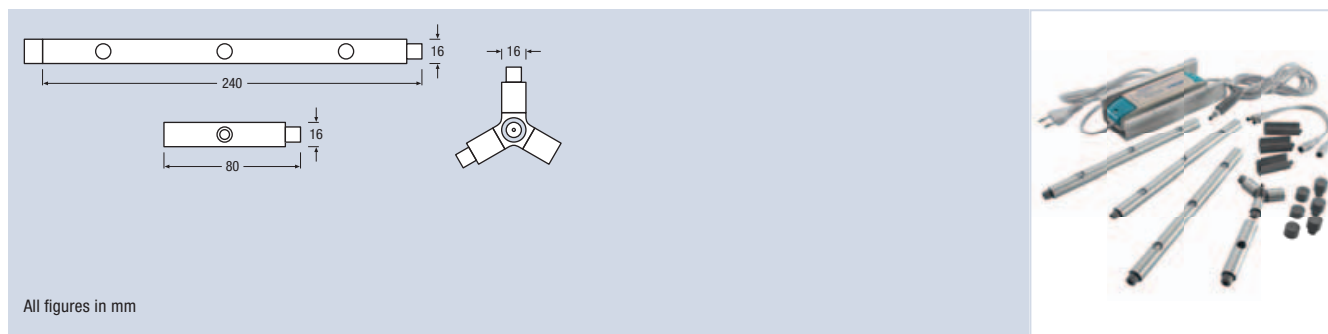
OSRAM DULUX® CARRÉ and OSRAM DULUX® CARRÉ SENSOR are compact, square wall and ceiling luminaires in a timeless design for continuously reliable economical lighting.

Features and benefits:

- Super slim square energy-saving luminaires for indoors and outdoors
- Protected against spray water (IP43)
- Quick and simple installation
- OSRAM DULUX® CARRÉ 11W version also available as two-lamp version
- OSRAM DULUX® CARRÉ SENSOR with sensor-controlled, adjustable dawn-and-dusk switch: automatically switches on and off according to the amount of available daylight
- OSRAM DULUX® CARRÉ equipped with OSRAM DULUX® S 827 compact fluorescent lamp
- OSRAM DULUX® CARRÉ SENSOR equipped with OSRAM DULUX® S 830 compact fluorescent lamp



POWERstixx®



All figures in mm

Product reference	Product number	COLOR	t [h]	W	lm	K	V	°	Icons
POWERstixx®									
POWERstixx Set	4008321962874	silver	30000	3x4.7	3x220	3000	220–240	60	4x1
POWERstixx Add-on	4008321962898	silver	30000	4.7	220	3000	12	60	6x1

The innovative modular LED luminaire system POWERstixx® makes aesthetic light solutions possible which are both individual and variable for almost any lighting task.

Features and benefits:

- Designer luminaire system for stylish and fascinating lighting
- Clear, modern design
- Flexible luminaire forms – either linear or Y shape
- POWERstixx® Set comprising 3 independently adjustable LED modules, can be expanded to a maximum of 5 LED modules at any time with POWERstixx® Add-on
- Unique luminaire structure (e.g. square arrangements) thanks to POWERstixx® Connector Set (3x90° connector, 1 T connector)
- POWERstixx® can be converted into a pendant luminaire with the POWERstixx® Pendant Kit by means of 2 adjustable ceiling hangers



POWERstixx® accessories

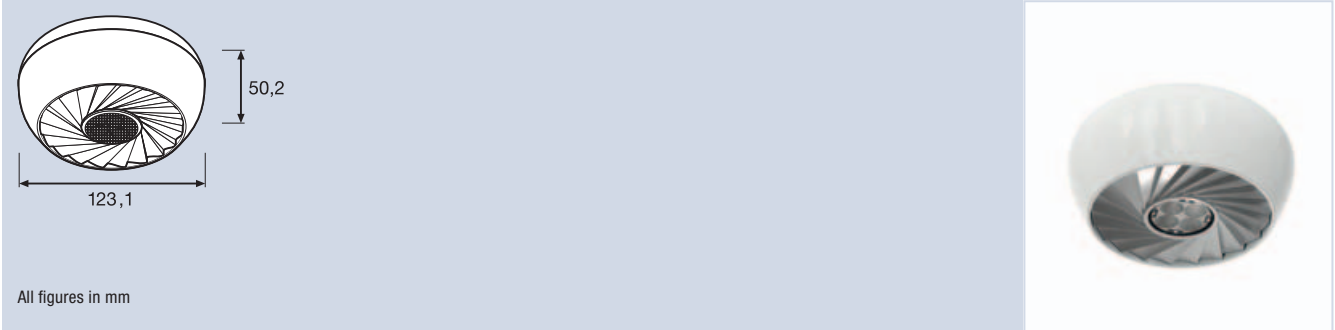
Product reference	Product number	COLOR	Icons
POWERstixx® Connector Set			
POWERstixx Connector Set	4008321960566	silver	6x1



Product reference	Product number	COLOR	l [mm]	Icons
POWERstixx® Pendant Kit				
POWERstixx Pendant Kit	4008321960559	silver	2000	6x1



CALYX® Ceiling



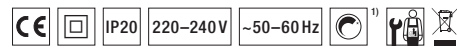
All figures in mm

Product reference	Product number	COLOR	t [h]	W	lm	K	°	Icons
CALYX® Ceiling								
CALYX Ceiling	4008321984142	white	25000	10	385	3000	35	4x1

The CALYX® range includes a pendant and a ceiling luminaire. The modern and dynamic design and the small size are ideal to highlight tables, bars and side boards with warm-white spotlight illumination. LED driver is included in the luminaire body.

Features and benefits:

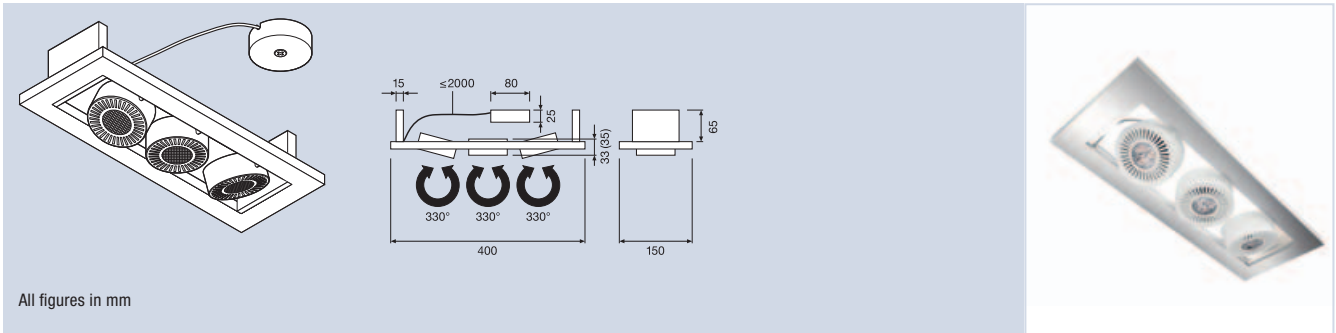
- Dimmable¹⁾
- Small-sized
- Unique design
- Easy mounting



1) www.osram.com/luminaires

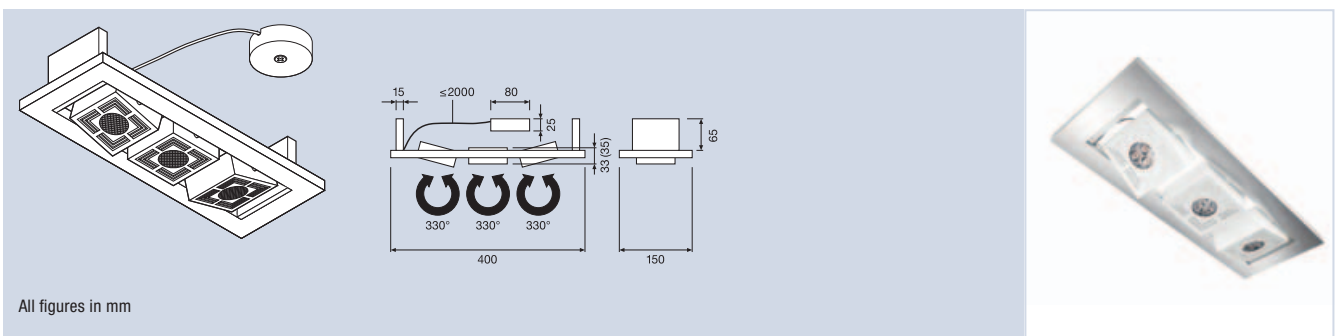


TRESOL® Trio Ceiling and TRESOL® Cube Trio Ceiling



All figures in mm

Product reference	Product number	COLOR	t[h]	W	lm	K		
TRESOL® Trio Ceiling								
TRESOL Trio Ceiling	4008321989314	silver/white	25000	3x4.5	3x165	3000	30	4x1



All figures in mm

Product reference	Product number	COLOR	t[h]	W	lm	K		
TRESOL® Cube Trio Ceiling								
TRESOL Cube Trio Ceiling	4008321989307	silver/white	25000	3x4.5	3x165	3000	30	4x1

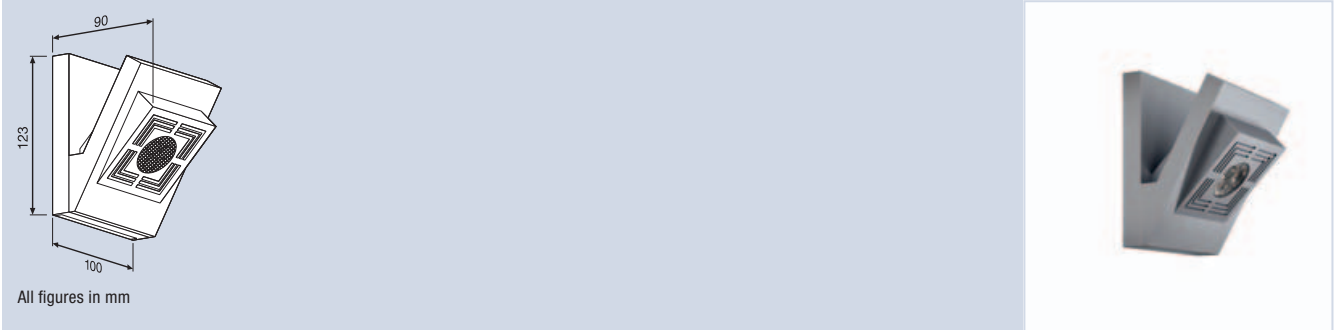
Features and benefits:

- Ideal for living rooms, corridors
- Ceiling LED luminaires with aluminum frame in high-value design
- Round or square modules

- Adjustable modules (330°) for easy direction of light output
- High-power LED for high light output



TRESOL® Cube

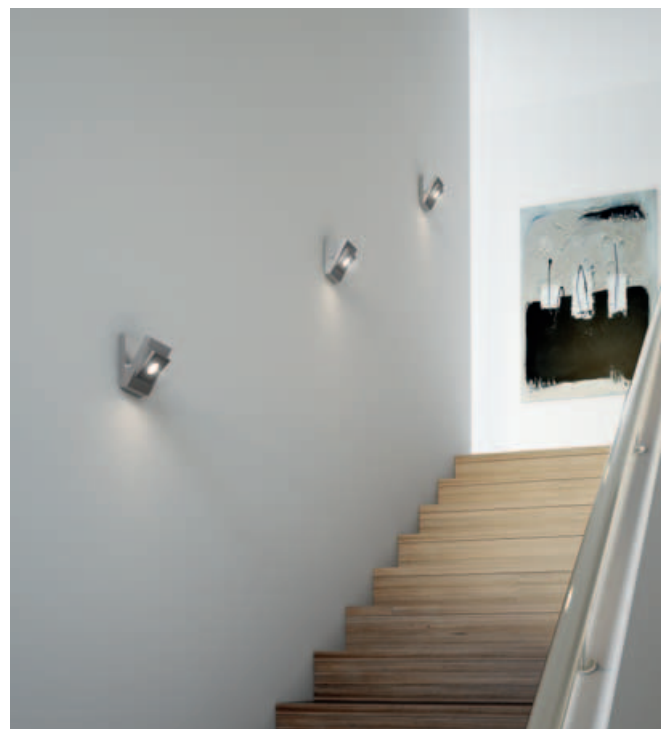


Product reference	Product number	COLOR	t(h)	W	lm	K	°	Icon
TRESOL® Cube								
TRESOL Cube	4008321985507	silver	25000	4.5	165	3000	30	4x1
TRESOL Cube White	4008321997821	white	25000	4.5	165	3000	30	4x1

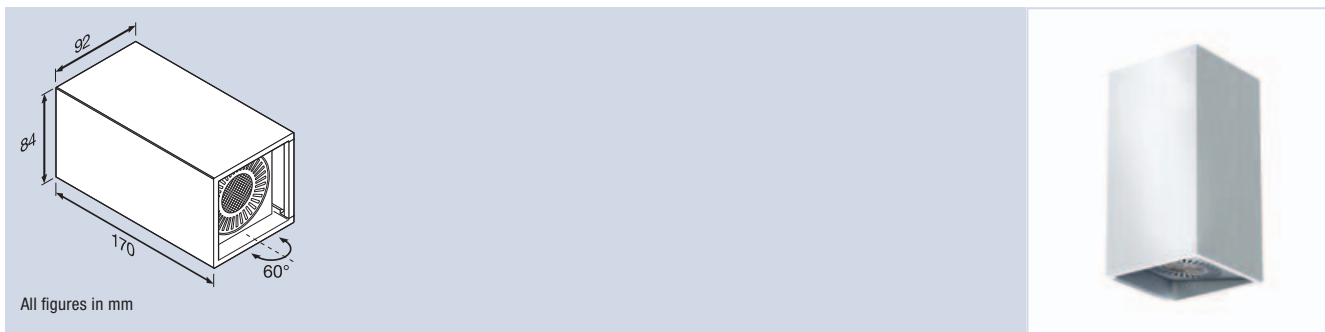
The aluminum LED wall luminaire TRESOL® Cube is suitable for small rooms like corridors with warm-white spotlight illumination. LED driver is included in the luminaire body.

Features and benefits:


- Aluminum
- Compact design
- Easy mounting



TRESOL® Bloc



All figures in mm

Product reference	Product number	COLOR	t [h]	W	lm	K	
TRESOL® Bloc							
TRESOL Bloc	4008321985484	brushed aluminum	25000	2x4.5	2x165	3000	4x1
TRESOL Bloc white	4008321990143	white	25000	2x4.5	2x165	3000	4x1

Features and benefits:

- High-value aluminum LED wall luminaire
- Up- and downlight with adjustable light beams (60°)
- Equipped with 2x4.5 W high-power OSRAM Golden DRAGON® Plus LED
- High light output for decorative effects for walls and useful for orientation

- Ideal for living rooms, dining rooms, bedrooms, entrances
- No external ECG. Wiring via cable inlet on each side possible, or mounting directly on the power outlet in the wall.
- Horizontal or vertical mounting for different light atmospheres







Flexible, functional, efficient.

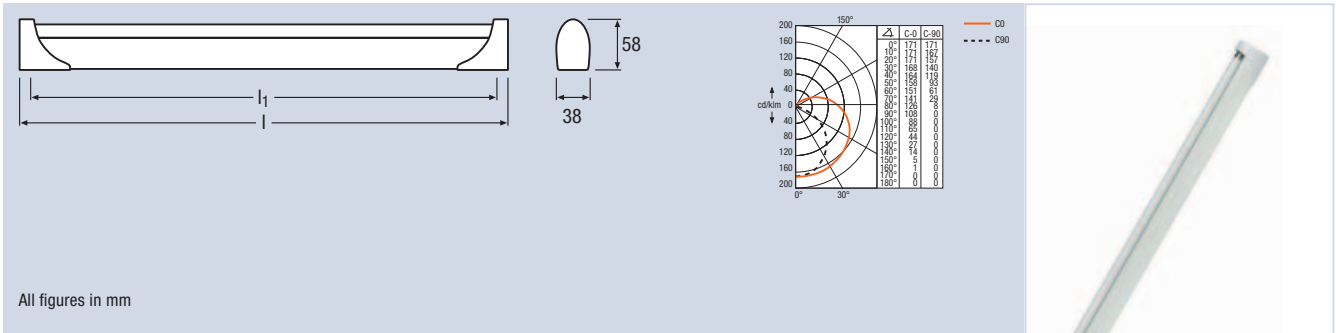
Batten luminaires are convenient to use and also offer a very versatile solution for achieving the illuminance required by relevant standards. They can be mounted on both walls and ceilings. In addition, suspended mounting is also possible with appropriate accessories. The light characteristics of one-lamp or two-lamp batten luminaires are optimized for maximum functionality. With different reflectors, the light can be adjusted to meet the requirements of the specific application.

Batten luminaires

OSRAM ECOPACK®-T5 DALI®	52
OSRAM ECOPACK®-T5 DIM	53
OSRAM ECOPACK®-T5 FH DIM	54
OSRAM ECOPACK®-T5	55
OSRAM ECOPACK®-T5 FQ	56
OSRAM ECOPACK®-T5 FH	57
OSRAM ECOPACK®-T5 Louver	58
OSRAM ECOPACK®-T8 DIM	59
1...10V sensors	60
OSRAM ECOPACK®-T8	61
LJ100 T5 (Siteco)	62
REF T8	63
OSRAM MINI5® ECO	64
LUMILUX® DECO EL T5	65
LUMILUX® COMBI EL T5	66
LUMILUX® COMBI EL-N T8	67
LUMILUX® COMBI EL-F T8	68
LUMILUX® COMBI EL-N T8 prismatic	69
LUMILUX® COMBI EL-F T8 prismatic	70
LUMILUX® COMBI EL-F T8 diffuser	71
LUMILUX® COMBI EL-F T8 rotary shade	72
LUMILUX® VARIO EL-N T8	73
LUMILUX® VARIO EL-F T8	74
LINESTRA® SET	75



OSRAM ECOPACK®-T5 DALI®



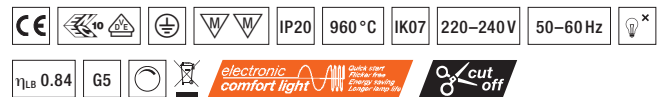
All figures in mm

Product reference	Product number	Ordering number	COLOR	W	l [mm]	h [mm]	Icons
OSRAM ECOPACK®-T5 DALI							
ECOPACK-T5 DALI 14/24W	4008321 259578	72621-99	white	14/24	584	538	4x1
ECOPACK-T5 DALI 21/39W	4008321 259592	72622-99	white	21/39	884	838	4x1
ECOPACK-T5 DALI 28/54W	4008321 259615	72623-99	white	28/54	1184	1138	4x1
ECOPACK-T5 DALI 35/49/80W	4008321 259639	72624-99	white	35/49/80	1484	1438	4x1

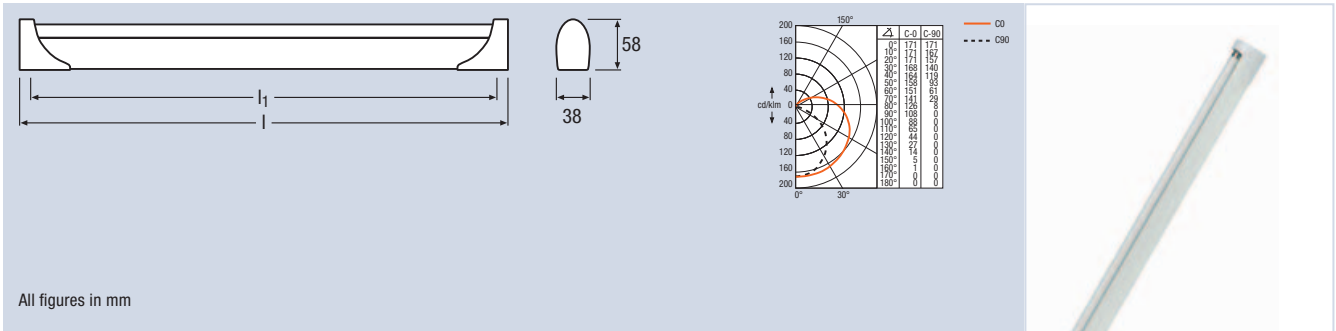
Thanks to the QUICKTRONIC® QTl DALI® Electronic Control Gear, a large number of different lamps can be used for OSRAM ECOPACK®-T5 DALI®. If high energy efficiency is the prime consideration, then LUMILUX® T5 HE is the perfect choice. If however high luminous output is required, then LUMILUX® T5 HO should be used. T5 batten luminaires with a choice of light sources for integration in DALI®-controlled installations.

Features and benefits:

- Batten luminaire without cover and lamp for fixed connection
- Luminaire color: white (RAL 9016)
- Suitable for both T5 HE and T5 HO lamps
- Long lamp life, thanks to cut-off technology
- With QUICKTRONIC® QTl DALI® Electronic Control Gear



OSRAM ECOPACK®-T5 DIM



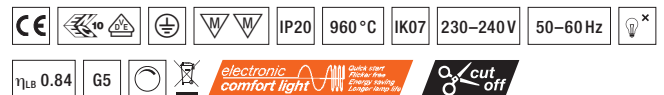
All figures in mm

Product reference	Product number	Ordering number	COLOR	W	L [mm]	H [mm]	Icons
OSRAM ECOPACK®-T5 DIM							
ECOPACK-T5 DIM 14/24W	4008321 259493	72611-99	white	14/24	584	538	4x1
ECOPACK-T5 DIM 21/39W	4008321 259516	72612-99	white	21/39	884	838	4x1
ECOPACK-T5 DIM 28/54W	4008321 259530	72613-99	white	28/54	1184	1138	4x1
ECOPACK-T5 DIM 35/49/80W	4008321 259554	72614-99	white	35/49/80	1484	1438	4x1

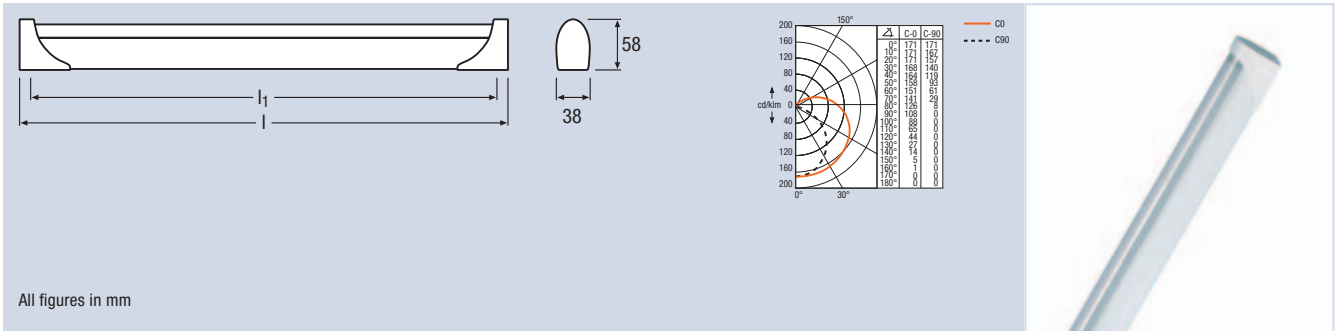
Thanks to the QUICKTRONIC® QTi DIM Electronic Control Gear, a large number of different lamps can be used for OSRAM ECOPACK®-T5 DIM. If high energy efficiency is the prime consideration, then LUMILUX® T5 HE is the perfect choice. If however high luminous output is required, then LUMILUX® T5 HO should be used. Dimming with a 1...10V interface is possible. Dimmable T5 batten luminaires for individual installation with a choice of light sources.

Features and benefits:

- Batten luminaire without cover and lamp for fixed connection
- Luminaire color: white (RAL 9016)
- Suitable for both T5 HE and T5 HO lamps
- Long lamp life, thanks to cut-off technology
- With QUICKTRONIC® QTi DIM Electronic Control Gear



OSRAM ECOPACK®-T5 FH DIM



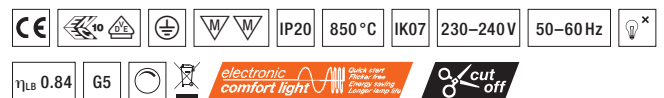
All figures in mm

Product reference	Product number	Ordering number	COLOR	W	lm/W	l [mm]	h [mm]	mm
OSRAM ECOPACK®-T5 FH DIM								
ECOPACK-FH DIM 14W	4050300659213	72611	white	14	96	584	538	4x1
ECOPACK-FH DIM 21W	4050300659237	72612	white	21	100	884	838	4x1
ECOPACK-FH DIM 28W	4050300659251	72613	white	28	104	1184	1138	4x1
ECOPACK-FH DIM 35W	4050300659275	72614	white	35	104	1484	1438	4x1

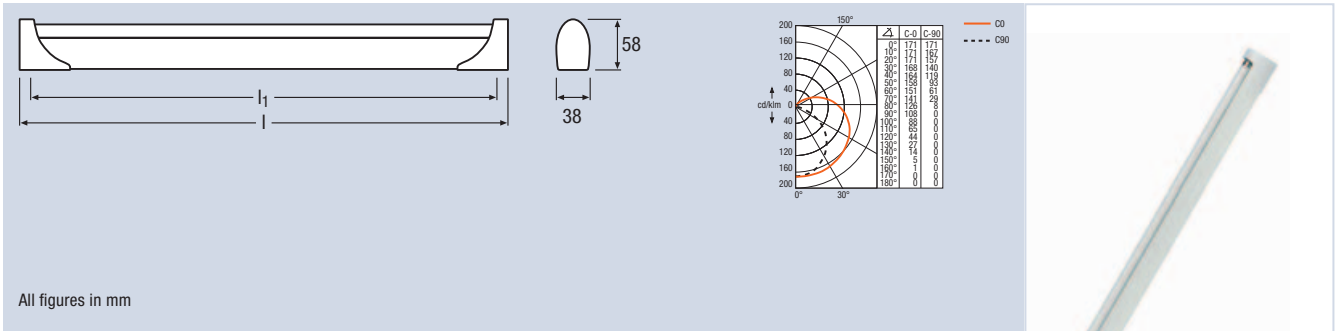
OSRAM ECOPACK®-T5 FH DIM is extremely economical. It provides the same light using less power than comparable batten luminaires of the same length with 26 mm fluorescent lamps.

Features and benefits:

- Compact electronic batten luminaire for fixed connection
- Luminaire color: white (RAL 9016)
- With QUICKTRONIC® QTi DIM Electronic Control Gear
- Long lamp life, thanks to cut-off technology
- With prismatic lamp cover for uniform light distribution
- Dimmable from 100 % to 1 %
- Control via the 1...10V DC control signal
- Equipped with innovative LUMILUX® T5 HE/830 fluorescent lamp
- Color temperature: 3000 K



OSRAM ECOPACK®-T5



All figures in mm

Product reference	Product number	Ordering number	COLOR	W	l (mm)	mm	
OSRAM ECOPACK®-T5							
ECOPACK-T5 14/24W	4008321 257413	72601-99	white	14/24	584	538	4x1
ECOPACK-T5 21/39W	4008321 257437	72602-99	white	21/39	884	838	4x1
ECOPACK-T5 28/54W	4008321 257451	72603-99	white	28/54	1184	1138	4x1
ECOPACK-T5 35/49/80W	4008321 259479	72604-99	white	35/49/80	1484	1438	4x1

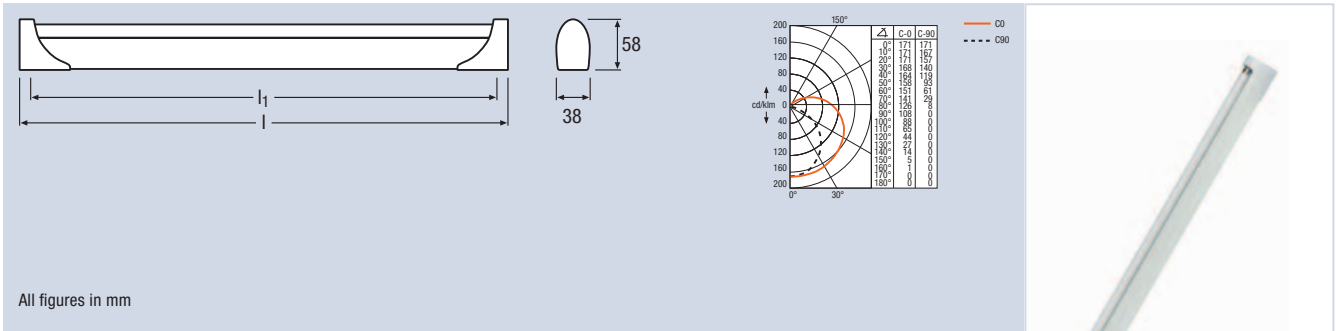
OSRAM ECOPACK®-T5 is a dimmable T5 batten luminaire for individual installation with a choice of light sources. Thanks to the QUICKTRONIC® QT i ECG, a large number of different lamps can be used for OSRAM ECOPACK®-T5: LUMILUX® T5 HE for impressive energy efficiency, LUMILUX® T5 HO for high luminous output.

Features and benefits:

- Batten luminaire without cover and lamp for fixed connection
- Luminaire color: white (RAL 9016)
- Long lamp life, thanks to cut-off technology
- With QUICKTRONIC® QT i Electronic Control Gear



OSRAM ECOPACK®-T5 FQ



All figures in mm

Product reference	Product number	Ordering number	COLOR	W	lm/W	l [mm]	mm	
OSRAM ECOPACK®-T5 FQ								
ECOPACK-FQ 24W	4050300797762	72630	white	24	83	584	538	4x1
ECOPACK-FQ 39W	4050300859187	72631	white	39	90	884	838	4x1
ECOPACK-FQ 54W	4050300859200	72632	white	54	93	1184	1138	4x1
ECOPACK-FQ 80W	4050300859385	72633	white	80	80	1484	1438	4x1

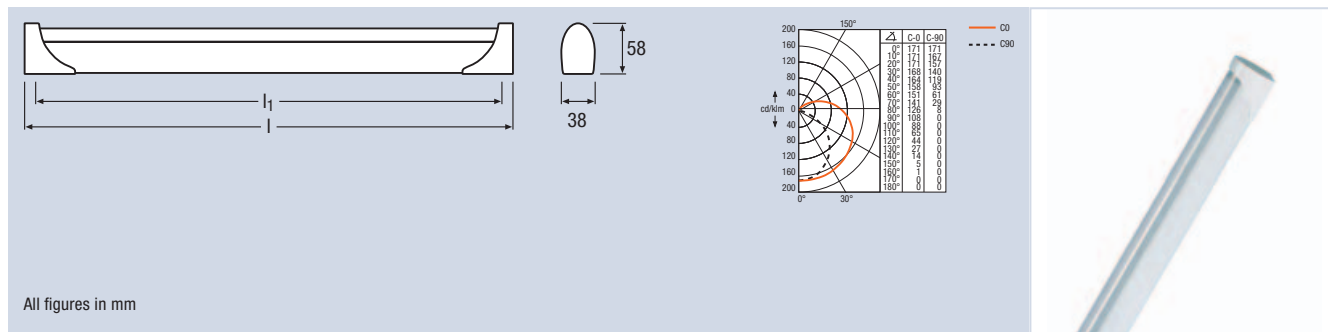
OSRAM ECOPACK®-T5 FQ luminaires are extremely bright. Thanks to 16 mm LUMILUX® T5 HO fluorescent lamps, they provide up to 50 % greater luminous flux than batten luminaires of similar length equipped with 26 mm fluorescent lamps.

Features and benefits:

- Compact electronic batten luminaires for fixed connection
- Luminaire color: white (RAL 9016)
- With QUICKTRONIC® QTi Electronic Control Gear
- Long lamp life, thanks to cut-off technology
- Without cover for maximum luminous flux
- Equipped with innovative LUMILUX® T5 HO/840 fluorescent lamps
- Color temperature: 4000 K



OSRAM ECOPACK®-T5 FH



All figures in mm

Product reference	Product number	Ordering number	COLOR	W	l _m /W	l [mm]	h [mm]	Icons
OSRAM ECOPACK®-T5 FH								
ECOPACK-FH 14W	4050300513249	72601	white	14	96	584	538	4x1
ECOPACK-FH 21W	4050300513263	72602	white	21	100	884	838	4x1
ECOPACK-FH 28W	4050300513287	72603	white	28	104	1184	1138	4x1
ECOPACK-FH 35W	4050300513300	72604	white	35	100	1484	1438	4x1

OSRAM ECOPACK®-T5 FH are extremely economical. They provide the same light using less power than comparable batten luminaires of the same length with 26 mm fluorescent lamps.

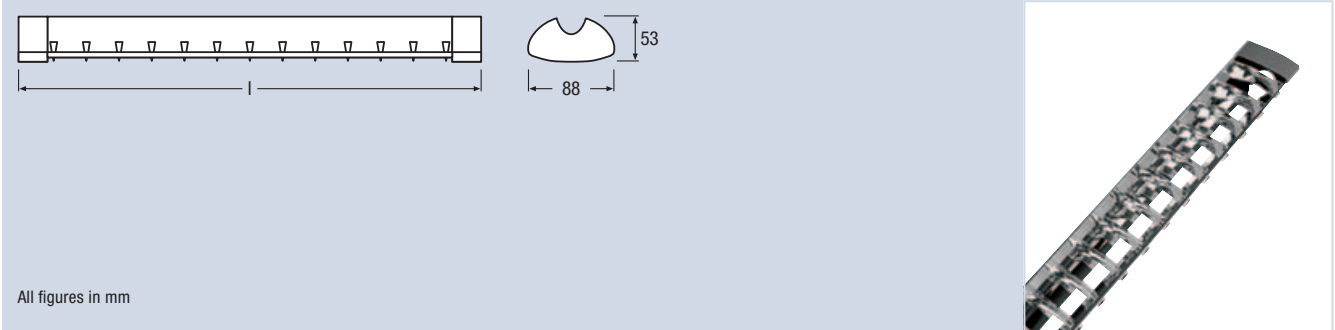
Features and benefits:

- Compact electronic batten luminaires for fixed connection
- Luminaire color: white (RAL 9016)
- With QUICKTRONIC® QT_i Electronic Control Gear
- Long lamp life, thanks to cut-off technology
- With prismatic lamp cover for uniform light distribution
- Equipped with innovative LUMILUX® T5 HE/830 fluorescent lamp
- Color temperature: 3000 K



INDOOR

OSRAM ECOPACK®-T5 Louver



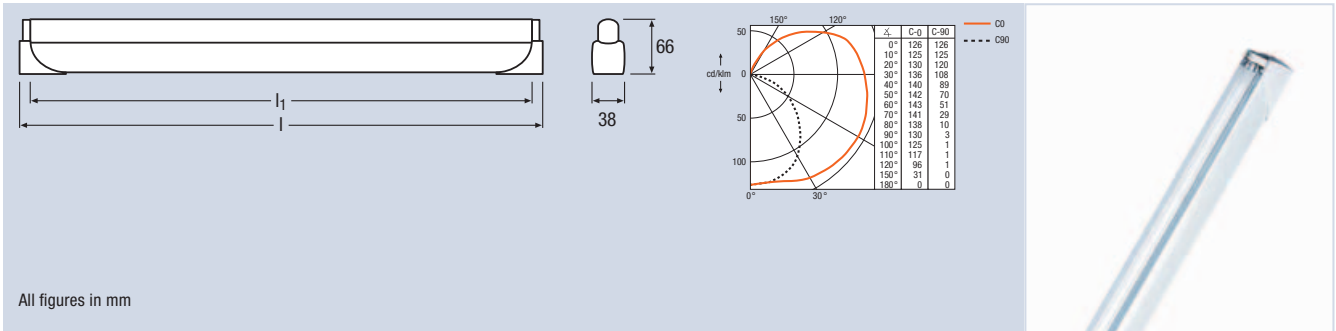
Product reference	Product number	Ordering number	COLOR	W	L [mm]	
OSRAM ECOPACK®-T5 Louver						
ECOPACK T5 Louver 14/24W	4008321 079886	72650	gray	14/24	567	4x1
ECOPACK T5 Louver 21/39W	4008321 079909	72651	gray	21/39	867	4x1
ECOPACK T5 Louver 28/54W	4008321 080424	72652	gray	28/54	1167	4x1
ECOPACK T5 Louver 35/49/80W	4008321 080448	72653	gray	35/49/80	1467	4x1

Features and benefits:

- For all OSRAM ECOPACK® luminaires with or for T5 lamps
- Highly polished low-irisation aluminum (Alanod Miro 4)
- Double parabolic louver
- Suitable for screen-based workplaces
- Color: gray



OSRAM ECOPACK®-T8 DIM



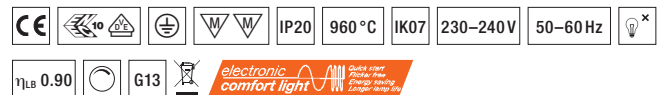
All figures in mm

Product reference	Product number	Ordering number	COLOR	W	l [mm]	mm	mm
OSRAM ECOPACK®-T8 DIM							
OSRAM ECOPACK DIM 18W	4050300561981	72561	white	18	618	540	4x1
OSRAM ECOPACK DIM 36W	4050300562025	72565	white	36	1228	1150	4x1
OSRAM ECOPACK DIM 58W	4050300562070	72567	white	58	1528	1450	4x1

OSRAM ECOPACK®-T8 DIM are general-purpose cost-effective batten luminaires for 26 mm fluorescent lamps with electronic control gear for dimmable continuous economical lighting.

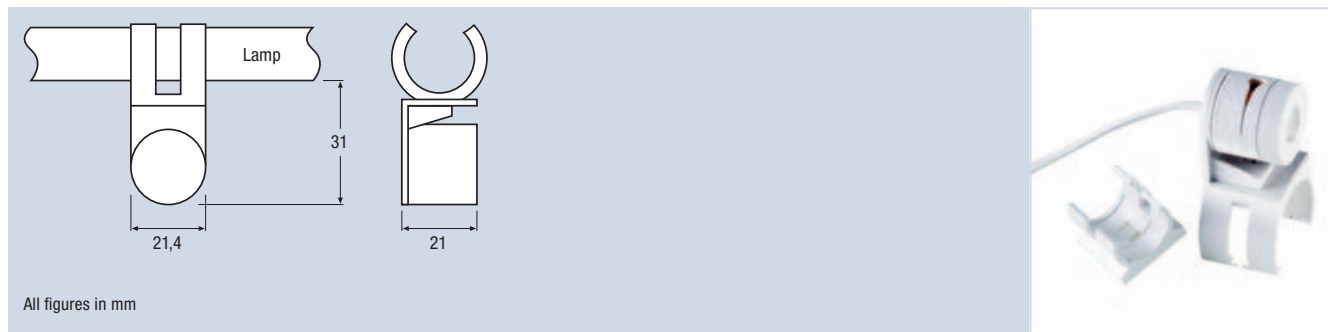
Features and benefits:

- Low-cost electronic batten luminaires for continuous economical lighting
- Luminaire color: white (RAL 9016)
- Free-burning lamp for maximum luminous flux
- With dimmable QUICKTRONIC® Electronic Control Gear
- Dimmable from 100 % to 1 %
- Control via the 1...10V DC control signal




BATTEN LUMINAIRES

1...10V sensors



All figures in mm


Product reference	Product number	Sensor type	No. of ECGs	COLOR	
1...10V sensors					
Sensors DIM PICO	4050300 554457	light	5	white	20x1
Sensors DIM MULTI	4050300 554471	light/movement	20	white	20x1

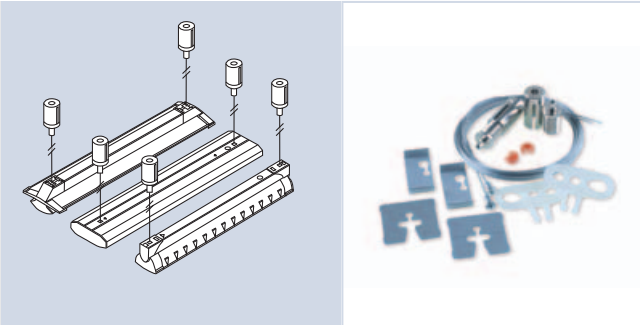
The sensors supply the 1...10V DC voltage control signal for dimmable luminaires with appropriate inputs. DIM PICO reacts to changes in light and DIM MULTI also to movement.

The sensitivity with which light is detected can be easily adjusted on any sensor. The sensors are suitable for controlling different numbers of ECGs.



PENDANT KIT for LUMILUX DUO®, OSRAM SOFTLITE® and OSRAM ECOPACK®

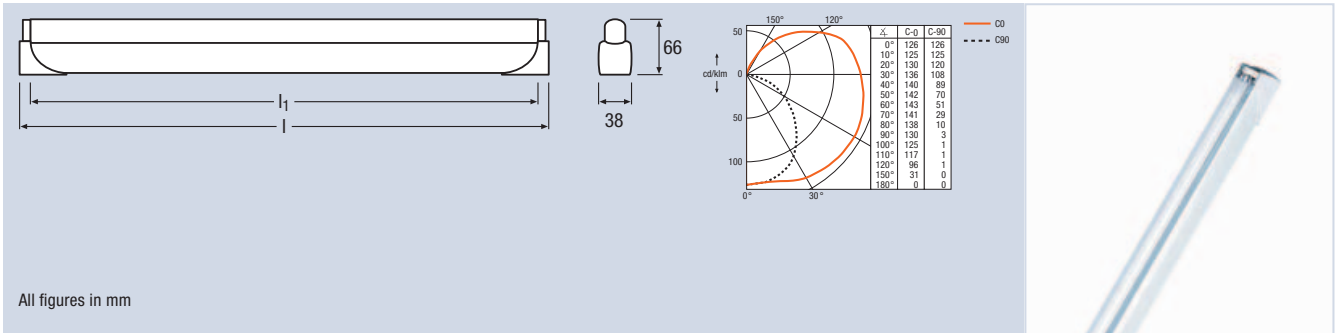
Product reference	Product number	Ordering number	COLOR	L [mm]	
PENDANT KIT					
Pendant kit	4050300 792200	72097	silver	2000	4x1



Suitable for all versions of the LUMILUX DUO®, OSRAM SOFTLITE® and OSRAM ECOPACK® families of luminaires. Contains 2 brackets, adjustable cable holders, steel cable for pendant lengths of up to 2m and cable clamps.



OSRAM ECOPACK®-T8



All figures in mm

Product reference	Product number	Ordering number	COLOR	W	l (mm)	h (mm)	Icons
OSRAM ECOPACK®-T8							
ECOPACK 18W	4050300562124	72581	white	18	618	540	4x1
ECOPACK 36W	4050300528359	72585	white	36	1228	1150	4x1
ECOPACK 58W	4050300528373	72587	white	58	1528	1450	4x1

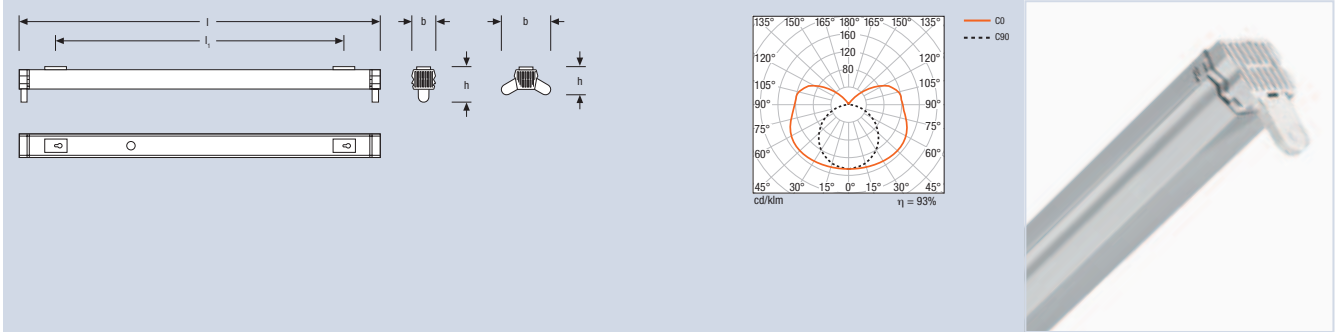
OSRAM ECOPACK®-T8 are general-purpose cost-effective batten luminaires for 26 mm fluorescent lamps with electronic control gear for continuous economical lighting.

Features and benefits:

- Low-cost electronic batten luminaires for continuous economical lighting
- Luminaire color: white (RAL 9016)
- Free-burning lamp for maximum luminous flux
- With QUICKTRONIC® PROFESSIONAL ECG

BATTEN LUMINAIRES

LJ100 T5 (Siteco)



Product reference	Product number	COLOR	W	l [mm]	b [mm]	h [mm]	mm	mm
LJ100 T5 (Siteco)								
LJ100 T5 1x28/54W ECG-MW	4039806 540584	white	1x28/54	1173	44	63	850	1x1
LJ100 T5 1x35/49/80W ECG-MW	4039806 539809	white	1x35/49/80	1473	44	63	1150	1x1
LJ100 T5 2x28/54W ECG-MW	4039806 912169	white	2x28/54	1173	88	50	850	1x1
LJ100 T5 2x35/49/80W ECG-MW	4039806 887924	white	2x35/49/80	1473	88	50	1150	1x1

Product features:

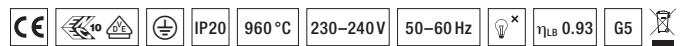
- Open distribution batten luminaire
- Suitable for wall, ceiling surface or suspended mounting
- Symmetrical wide distribution
- Torsionally rigid, roll-formed metal housing
- Optimized housing size

Product benefits:

- Compact, very slim form factor
- Low height with all lamp variations (single or twin lamps)
- Easier installation of continuous rows

Areas of application:

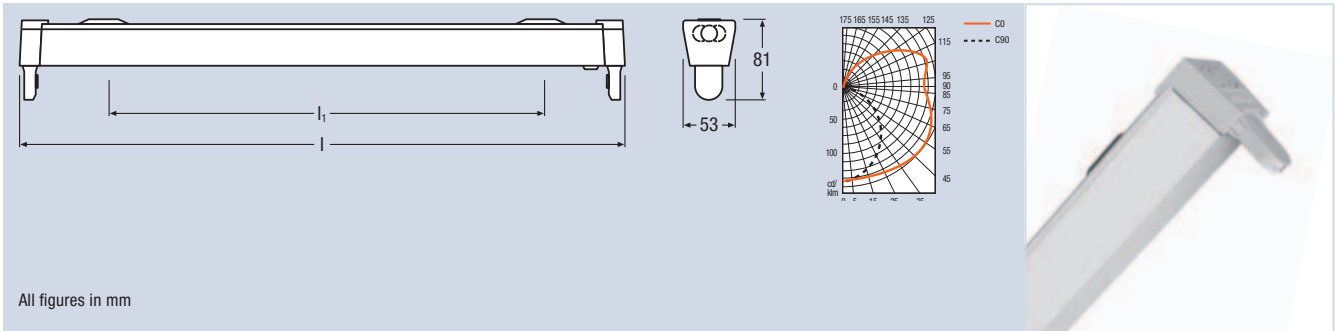
- Wide spectrum of applications
- Compact spaces



LJ100 T5 (Siteco) accessory

Product reference	Product number	mm	mm
LJ100 T5 suspension bracket			
LJ100 T5 suspension bracket	4039806 616159	2x1	

REF T8



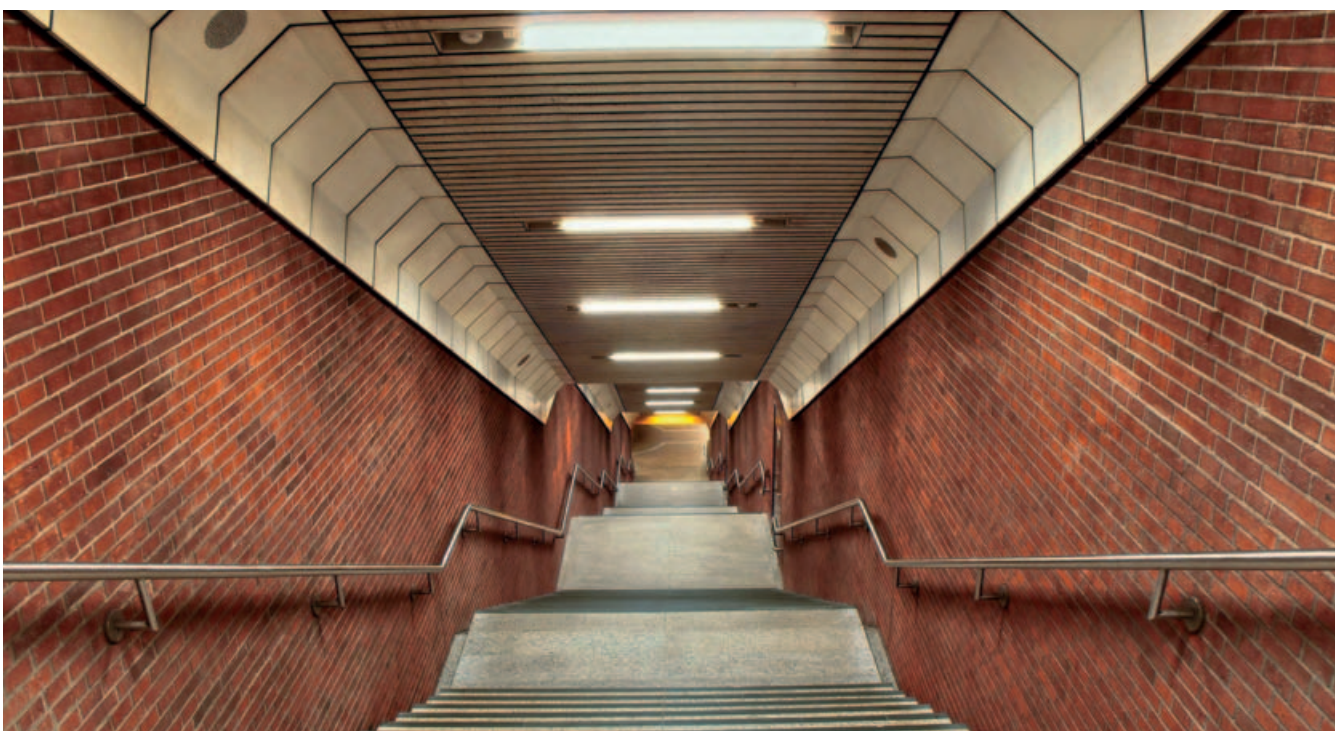
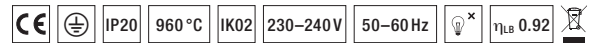
All figures in mm

Product reference	Product number	COLOR	W	L [mm]	H [mm]	Icons
REF T8						
REF T8 1x18W HF	4050300 121741	white	18	616	465	1x1
REF T8 1x36W HF	4050300 121758	white	36	1226	1075	1x1
REF T8 1x58W HF	4050300 122120	white	58	1527	1376	1x1

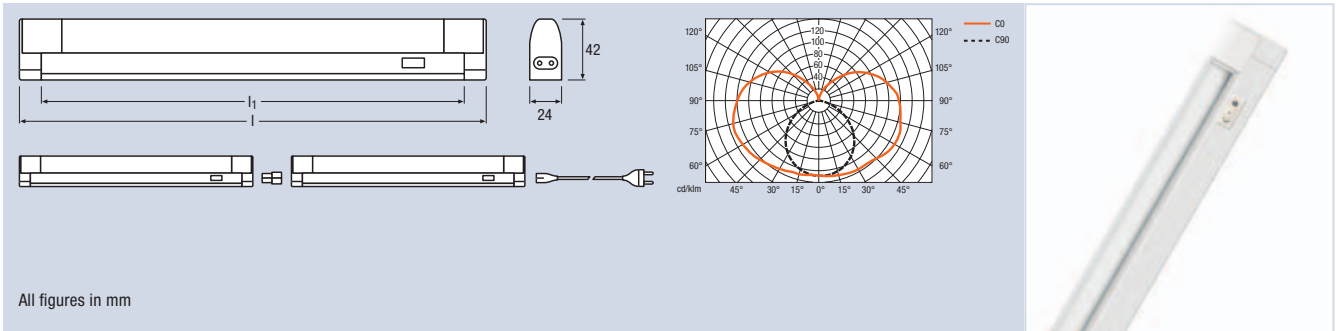
Features and benefits:

- Coated metal casing (RAL 9016)
- For suspended mounting or ceiling mounting
- Batten luminaire without cover and lamp for fixed connection
- Through-wirable
- Free-burning lamp for maximum luminous flux

- Extensive route lighting in workshops, factories, warehouses
- Industrial lighting
- Wide spectrum of applications
- With QUICKTRONIC® Electronic Control Gear



OSRAM MINI5® ECO



All figures in mm

Product reference	Product number	Ordering number	COLOR	W		K	l (mm)				
OSRAM MINI5® ECO											
MINI5 ECO 827 8W WT	4008321931399	72810-27	white	8	827	2700	318	14-274	yes	4x1	
MINI5 ECO 827 13W WT	4008321931412	72811-27	white	13	827	2700	547	14-503	yes	4x1	
MINI5 ECO 827 14W WT	4008321931436	72812-27	white	14	827	2700	579	14-535	yes	4x1	
MINI5 ECO 827 21W WT	4008321931450	72813-27	white	21	827	2700	879	14-835	yes	4x1	
MINI5 ECO 827 28W WT	4008321931474	72814-27	white	28	827	2700	1179	14-1135	yes	4x1	
MINI5 ECO 827 35W WT	4008321931498	72815-27	white	35	827	2700	1479	14-1435	yes	4x1	
MINI5 ECO 840 8W WT	4008321931511	72810-40	white	8	840	4000	318	14-274	yes	4x1	
MINI5 ECO 840 13W WT	4008321931535	72811-40	white	13	840	4000	547	14-503	yes	4x1	
MINI5 ECO 840 14W WT	4008321931559	72812-40	white	14	840	4000	579	14-535	yes	4x1	
MINI5 ECO 840 21W WT	4008321931573	72813-40	white	21	840	4000	879	14-835	yes	4x1	
MINI5 ECO 840 28W WT	4008321931597	72814-40	white	28	840	4000	1179	14-1135	yes	4x1	
MINI5 ECO 840 35W WT	4008321931610	72815-40	white	35	840	4000	1479	14-1435	yes	4x1	
MINI5 ECO 8W WT UNP	4008321300911	72810	white	8	-	-	318	14-274	no	4x1	
MINI5 ECO 13W WT UNP	4008321300935	72811	white	13	-	-	547	14-503	no	4x1	
MINI5 ECO 14W WT UNP	4008321300959	72812	white	14	-	-	579	14-535	no	4x1	
MINI5 ECO 21W WT UNP	4008321300973	72813	white	21	-	-	879	14-835	no	4x1	
MINI5 ECO 28W WT UNP	4008321300997	72814	white	28	-	-	1179	14-1135	no	4x1	
MINI5 ECO 35W WT UNP	4008321301154	72815	white	35	-	-	1479	14-1435	no	4x1	

OSRAM MINI5® ECO is a particularly compact pluggable T5 batten luminaire, developed for installation in tight spaces. MINI5® ECO can be installed separately or can be combined with other MINI5® ECO luminaires to create strip lighting.

Features and benefits:

- With prismatic lamp cover for glare-free light
- Equipped with LUMILUX® T5 8W/13W or LUMILUX® T5 HE 14W/21W/28W/35W fluorescent lamp; in each case available in light color 827 or 840, or available without lamp
- Integrated on/off switch



LUMILUX® DECO EL T5

α	C-0	C-90
0°	142	142
10°	142	136
20°	142	129
30°	143	111
40°	147	88
50°	153	62
60°	152	39
70°	147	20
80°	141	5
90°	125	2
120°	37	0
150°	4	0
180°	0	0

All figures in mm

Product reference	Product number	Ordering number	COLOR	W	K	l [mm]	h [mm]	Icons
LUMILUX® DECO EL/P T5								
LUMILUX DECO EL/P 8W	4050300356846	72161	white	8	2700	310	275	4x1
LUMILUX DECO EL/P 13W	4050300356860	72165	white	13	2700	538	502	4x1

α	C-0	C-90
0°	92	92
10°	94	90
20°	96	83
30°	98	72
40°	99	59
50°	103	44
60°	109	29
70°	112	15
80°	116	5
90°	115	0
120°	81	0
150°	33	0
180°	0	0

All figures in mm

Product reference	Product number	Ordering number	COLOR	W	K	l [mm]	h [mm]	Icons
LUMILUX® DECO EL/D T5								
LUMILUX DECO EL/D 8W	4050300497822	72161-44	white	8	2700	310	275	4x1
LUMILUX DECO EL/D 13W	4050300497846	72165-44	white	13	2700	538	502	4x1

LUMILUX® DECO is the modern, decorative and energy-saving alternative to mirror lighting with conventional incandescent lamps and is available in two versions: LUMILUX® DECO EL/P with a prismatic lamp cover for glare-free light. LUMILUX® DECO EL/D with opal cover for soft, glare-free lighting and natural rendering of skin tones. Thanks to their slim design, they are also ideal as furniture luminaires.

Features and benefits:

- Elegant wall and mirror luminaires
- For fixed connection
- With electronic control gear
- Equipped with LUMILUX® T5 827 fluorescent lamp

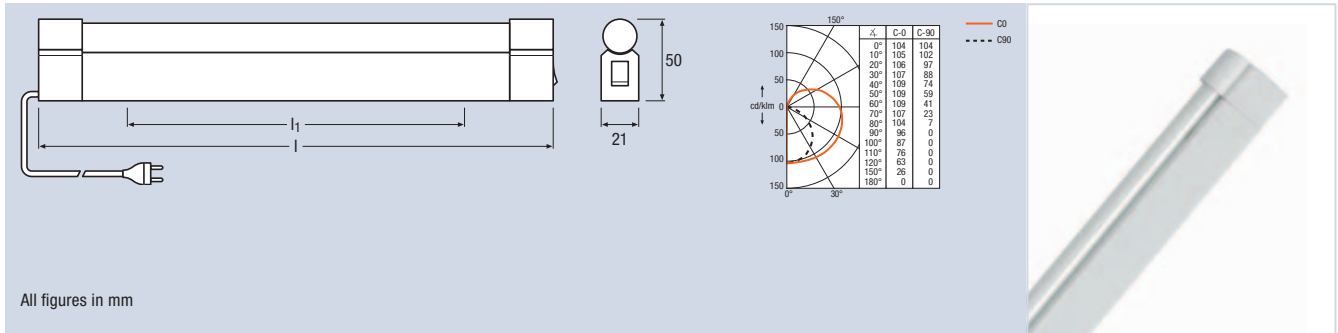


electronic *comfort light* *Quick start* *2700K* *Energy saving* *2200lm* **LUMILUX® DECO EL/P T5:** η_{LB} 0.82

LUMILUX® DECO EL/D T5: η_{LB} 0.71

BATTEN LUMINAIRES

LUMILUX® COMBI EL T5



All figures in mm

Product reference	Product number	Ordering number	COLOR	W	K	L (mm)	mm	Icons
LUMILUX® COMBI EL T5								
LUMILUX COMBI EL 8W WS	4050300 824765	72032	white	8	2700	323	202	4x1
LUMILUX COMBI EL 13W WS	4050300 824819	72037	white	13	2700	551	431	4x1

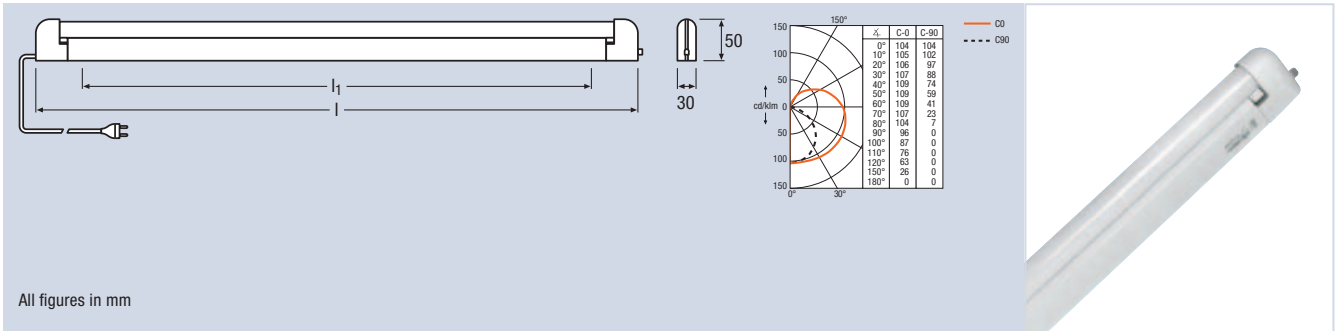
LUMILUX® COMBI EL is a general-purpose batten luminaire with all the benefits of electronic operation and a free-burning lamp for maximum luminous flux.

Features and benefits:

- Ready to install with 2m of cable and plug
- Integrated switch
- Equipped with LUMILUX® 827 fluorescent lamp



LUMILUX® COMBI EL-N T8



All figures in mm

Product reference	Product number	Ordering number	COLOR	W	K	l [mm]	h [mm]	Light icon	Box icon	
LUMILUX® COMBI EL-N T8										
LUMILUX COMBI EL-N 10W WT	4050300003443	72006	white	10	827	2700	501	300	yes	4x1
LUMILUX COMBI EL-N 18W WT	4050300003474	72011	white	18	827	2700	621	420	yes	4x1
LUMILUX COMBI EL-N 30W WT	4050300002163	72016	white	30	827	2700	926	725	yes	4x1
LUMILUX COMBI EL-N 36W WT	4050300003511	72021	white	36	827	2700	1231	1030	yes	4x1
LUMILUX COMBI EL-N 58W WT	4050300986517	72026	white	58	827	2700	1531	1330	yes	4x1
LUMILUX COMBI EL-N 18W WS UNP	4050300997650	72011 UNP	white	18	-	-	621	420	no	4x1
LUMILUX COMBI EL-N 30W WS UNP	4050300003504	72016 UNP	white	30	-	-	926	725	no	4x1
LUMILUX COMBI EL-N 36W WS UNP	4050300148663	72021 UNP	white	36	-	-	1231	1030	no	4x1
LUMILUX COMBI EL-N 58W WS UNP	4050300993973	72026 UNP	white	58	-	-	1531	1330	no	4x1

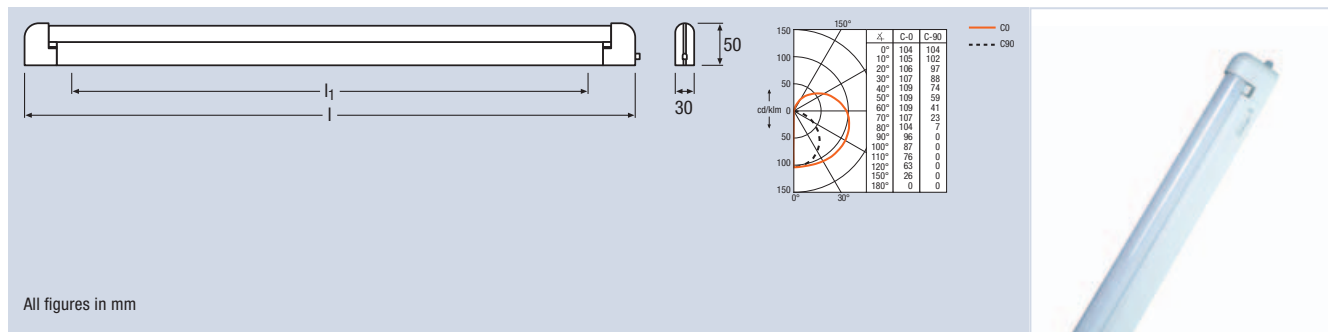
LUMILUX® COMBI EL-N is a general-purpose batten luminaire with all the benefits of electronic operation and a free-burning lamp for maximum luminous flux.

Features and benefits:

- Ready to install with 2 m of cable and plug
- Integrated switch
- Equipped with LUMILUX® 827 or available without lamp



LUMILUX® COMBI EL-F T8



All figures in mm

Product reference	Product number	Ordering number	COLOR	W		K				
LUMILUX® COMBI EL-F T8										
LUMILUX COMBI EL-F 10W WT	4050300003542	72106	white	10	827	2700	501	300	yes	4x1
LUMILUX COMBI EL-F 18W WT	4050300003573	72111	white	18	827	2700	621	420	yes	4x1
LUMILUX COMBI EL-F 30W WT	4050300003597	72116	white	30	827	2700	926	725	yes	4x1
LUMILUX COMBI EL-F 36W WT	4050300003634	72121	white	36	827	2700	1231	1030	yes	4x1
LUMILUX COMBI EL-F 58W WT	4050300005195	72126	white	58	827	2700	1531	1330	yes	4x1
LUMILUX COMBI EL-F 18W WS UNP	4050300148724	72111 UNP	white	18	–	–	621	420	no	4x1
LUMILUX COMBI EL-F 30W WS UNP	4050300484679	72116 UNP	white	30	–	–	926	725	no	4x1
LUMILUX COMBI EL-N 36W WS UNP	4050300148748	72121 UNP	white	36	–	–	1231	1030	no	4x1
LUMILUX COMBI EL-N 58W WS UNP	4050300993959	72126 UNP	white	58	–	–	1531	1330	no	4x1

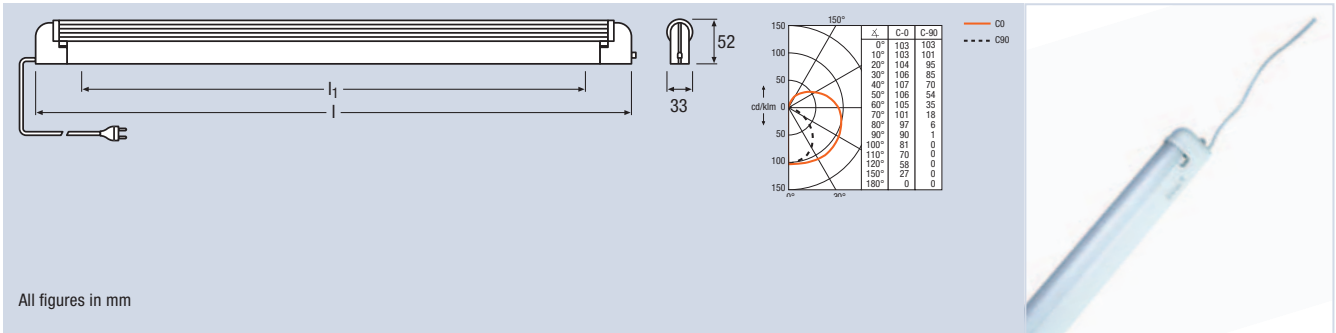
LUMILUX® COMBI EL-F is a general-purpose batten luminaire with all the benefits of electronic operation and a free-burning lamp for maximum luminous flux.

Features and benefits:

- For fixed connection, with central, asymmetrical and side cable insertion
- Integrated switch
- Equipped with LUMILUX® 827 or available without lamp



LUMILUX® COMBI EL-N T8 prismatic



All figures in mm

Product reference	Product number	Ordering number	COLOR	W	K	L [mm]	H [mm]	Icons
LUMILUX® COMBI EL-N T8 prismatic								
LUMILUX COMBI EL-N/P 10W WT	4050300346540	72206	white	10	2700	501	300	4x1
LUMILUX COMBI EL-N/P 18W WT	4050300346625	72211	white	18	2700	621	420	4x1
LUMILUX COMBI EL-N/P 30W WT	4050300346663	72216	white	30	2700	926	725	4x1
LUMILUX COMBI EL-N/P 36W WT	4050300346861	72221	white	36	2700	1231	1030	4x1
LUMILUX COMBI EL-N/P 58W WT	4050300346946	72226	white	58	2700	1531	1330	4x1

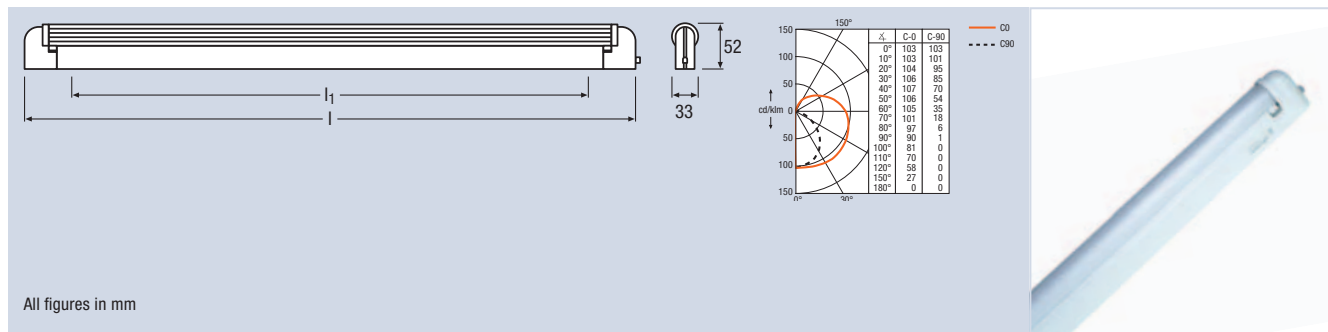
With their attractive prismatic lamp covers, the LUMILUX® COMBI EL-N prismatic luminaires provide pleasant glare-free light.

Features and benefits:

- Slim design, general-purpose batten luminaires
- With prismatic lamp cover for glare-free light
- Ready to install with 2m of cable and plug
- Equipped with LUMILUX® 827 fluorescent lamp



LUMILUX® COMBI EL-F T8 prismatic



Product reference	Product number	Ordering number	COLOR	W	K	L [mm]	mm	
LUMILUX® COMBI EL-F T8 prismatic								
LUMILUX COMBI EL-F/P 10W WT	4050300 346502	72306	white	10	2700	501	300	4x1
LUMILUX COMBI EL-F/P 18W WT	4050300 346588	72311	white	18	2700	621	420	4x1
LUMILUX COMBI EL-F/P 30W WT	4050300 346700	72316	white	30	2700	926	725	4x1
LUMILUX COMBI EL-F/P 36W WT	4050300 346908	72321	white	36	2700	1231	1030	4x1
LUMILUX COMBI EL-F/P 58W WT	4050300 346984	72326	white	58	2700	1531	1330	4x1

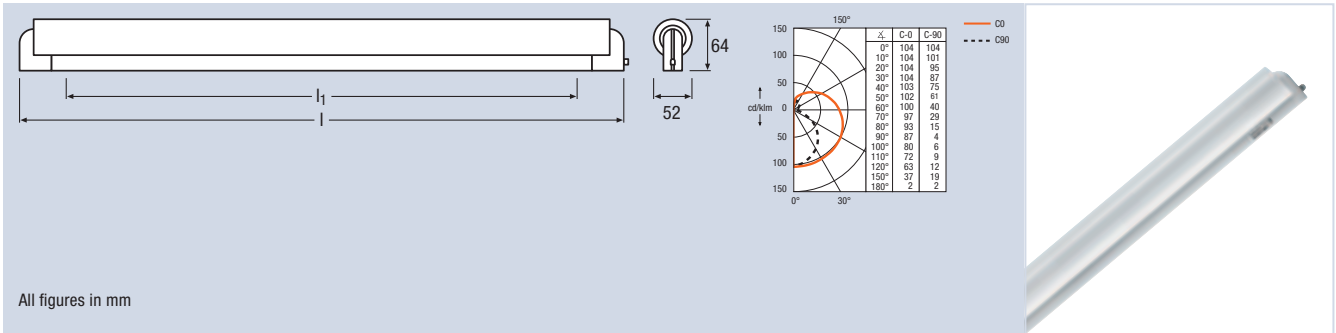
With their attractive prismatic lamp covers, the LUMILUX® COMBI EL-F prismatic luminaires provide pleasant, glare-free light.

Features and benefits:

- Slim design, general-purpose batten luminaires
- With prismatic lamp cover for glare-free light
- For fixed connection, with central, asymmetrical and side cable insertion
- Equipped with LUMILUX® 827 fluorescent lamp



LUMILUX® COMBI EL-F T8 diffuser



All figures in mm

Product reference	Product number	Ordering number	COLOR	W	K	L [mm]	mm	
LUMILUX® COMBI EL-F T8 diffuser								
LUMILUX COMBI EL-F/D 10W	4008321 917454	72106-44	white	10	2700	501	300	4x1
LUMILUX COMBI EL-F/D 18W	4008321 917478	72111-44	white	18	2700	621	420	4x1
LUMILUX COMBI EL-F/D 30W	4008321 917492	72116-44	white	30	2700	926	725	4x1
LUMILUX COMBI EL-F/D 36W	4008321 917515	72121-44	white	36	2700	1230	1030	4x1
LUMILUX COMBI EL-F/D 58W	4008321 917539	72126-44	white	58	2700	1531	1330	4x1

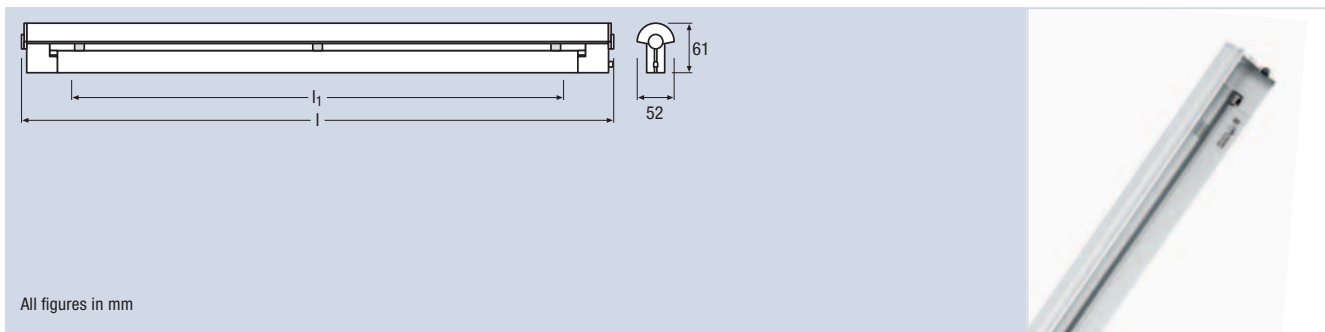
The elegant LUMILUX COMBI EL-F diffuser batten luminaires provide high levels of lighting comfort thanks to an attractive diffuser.

Features and benefits:

- Stylish wall and mirror luminaires
- With QUICKTRONIC® Electronic Control Gear
- For fixed connection
- White satin-frosted diffuser for uniform glare-free light
- Equipped with LUMILUX® 827 fluorescent lamp



LUMILUX® COMBI EL-F T8 rotary shade



All figures in mm

Product reference	Product number	Ordering number	COLOR	W	K	I [mm]	mm	
LUMILUX® COMBI EL-F T8 rotary shade								
LUMILUX COMBI EL-F/B 18W	4008321 917379	72111-45	white	18	2700	634	420	4x1
LUMILUX COMBI EL-F/B 30W	4008321 917393	72116-45	white	30	2700	939	725	4x1
LUMILUX COMBI EL-F/B 36W	4008321 917416	72121-45	white	36	2700	1244	1030	4x1
LUMILUX COMBI EL-F/B 58W	4008321 917430	72126-45	white	58	2700	1544	1330	4x1

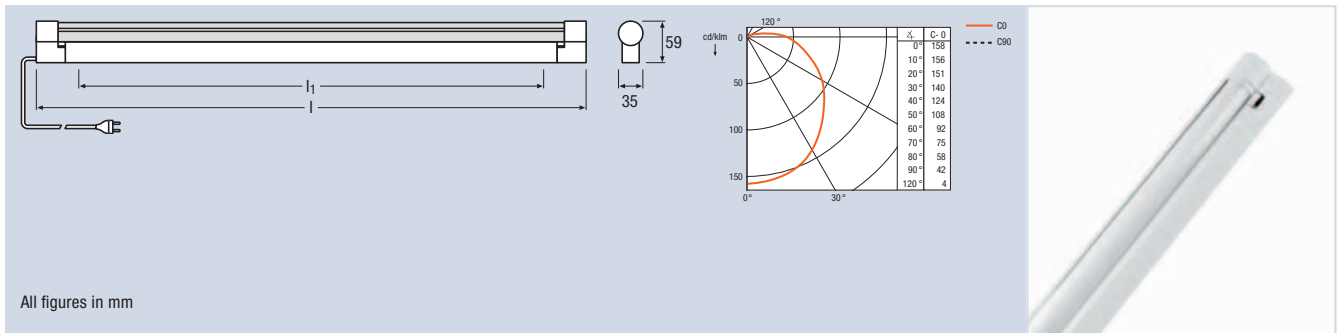
The elegant LUMILUX® COMBI EL-F rotary shade batten luminaires provide high levels of lighting comfort thanks to their rotary shade.

Features and benefits:

- Stylish wall and mirror luminaires
- With QUICKTRONIC® Electronic Control Gear
- For fixed connection
- Rotary shade for directional or shielded light
- Equipped with LUMILUX® 827 fluorescent lamp



LUMILUX® VARIO EL-N T8



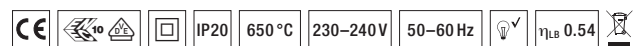
All figures in mm

Product reference	Product number	Ordering number	COLOR	W	K	l [mm]	h [mm]	Icons
LUMILUX® VARIO EL-N T8								
LUMILUX VARIO EL-N 18W	4008321908445	72356	white	18	2700	617	420	4x1
LUMILUX VARIO EL-N 30W	4008321908452	72357	white	30	2700	922	725	4x1
LUMILUX VARIO EL-N 36W	4008321908469	72358	white	36	2700	1227	1030	4x1

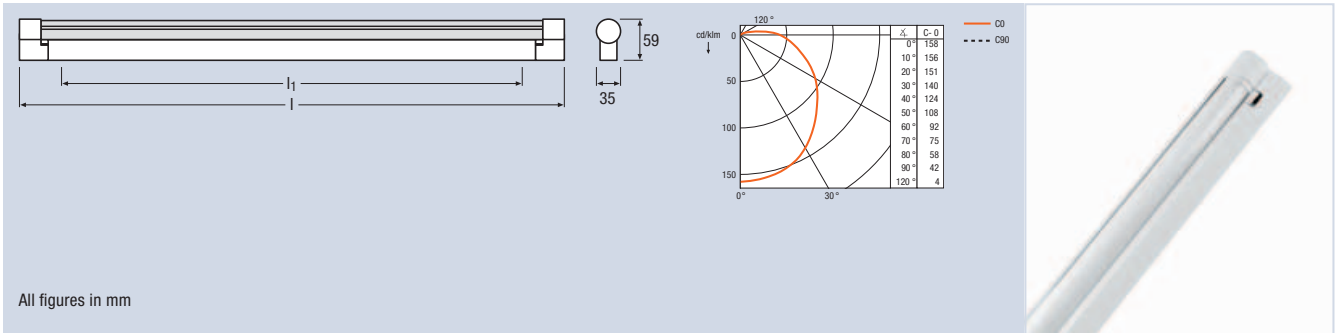
The LUMILUX® VARIO EL-N batten luminaire has a special tubular reflector capable of rotating through 360° to direct glare-free, energy-saving light at ceilings, walls or furniture.

Features and benefits:

- Flat batten luminaire with reflector capable of rotating 360° for variable, directional light
- 40 % more light in the main beam direction compared with free-burning lamps
- With QUICKTRONIC® Electronic Control Gear
- Integrated switch
- Ready to install with 2 m of cable and plug
- Equipped with LUMILUX® 827 fluorescent lamp



LUMILUX® VARIO EL-F T8



All figures in mm

Product reference	Product number	Ordering number	COLOR	W	K	I [mm]	mm	
LUMILUX® VARIO EL-F T8								
LUMILUX VARIO EL-F 18W	4008321908476	72456	white	18	2700	617	420	4x1
LUMILUX VARIO EL-F 30W	4008321908483	72457	white	30	2700	922	725	4x1
LUMILUX VARIO EL-F 36W	4008321908490	72458	white	36	2700	1227	1030	4x1

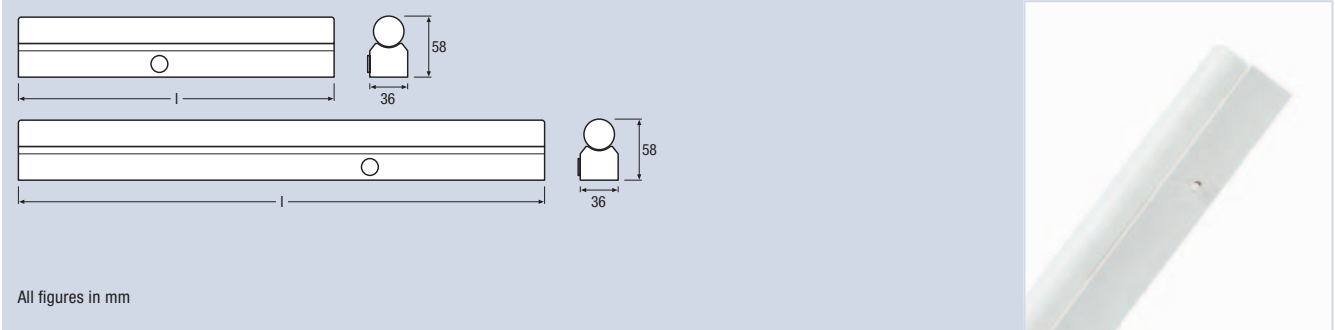
The LUMILUX® VARIO EL-F batten luminaire has a special tubular reflector capable of rotating through 360° to direct glare-free, energy-saving light at ceilings, walls or furniture.

Features and benefits:

- Flat batten luminaire with reflector capable of rotating 360° for variable, directional light
- 40 % more light in the main beam direction compared with free-burning lamps
- With QUICKTRONIC® Electronic Control Gear
- Integrated switch
- For fixed connection, with central, asymmetrical and side cable insertion
- Equipped with LUMILUX® 827 fluorescent lamp



LINESTRA® SET



All figures in mm

Product reference	Product number	Ordering number	COLOR	W	l [mm]	mm	
LINESTRA® SET							
LINESTRA SET 35W ¹⁾	4050300003832	72410	white	35	306	284	20x1
LINESTRA SET 60W ¹⁾	4050300003849	72420	white	60	506	484	20x1

¹⁾ Available until Sept. 2013

LINESTRA® SET incandescent batten luminaires are the perfect choice if soft, glare-free light is needed. Incandescent light is particularly good for rendering skin tones.

Features and benefits:

- Ideal as mirror lighting in bathrooms and cloakrooms
- For fixed connection
- Robust plastic profile
- Opal version of the lamp provides especially soft light
- Integrated switch
- Equipped with double-ended LINESTRA® lamp



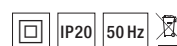
LINESTRA® accessories

Product reference	Product number	COLOR	l [mm]	
LINESTRA® holders				
Holder 662 S14s	4050300012742	white	59	10x10
Holder 670 S14d	4050300018638	gray	82	10x10
Holder 675 S14d	4050300012766	gray	82	10x10

The holders for LINESTRA® lamps are the simplest form of luminaire. The holders can be divided into two groups. The 662 holder is needed for the double-ended lamps LINESTRA® SPC LIN 1603, 1604 and 1104 (base S14s). Holders 670 and 675 are used for the single-ended lamps LINESTRA® SPC LIN 1613 and 1614 (base S14d). Holder 675 has a switch on the casing. Holders 670 and 662 must be accessed via a central light switch.

Features and benefits:

- Holder 662 for double-ended LINESTRA® lamps (2 required)
- Holders 670 and 675 for single-ended LINESTRA® lamps
- Holder 675 with switch





Versatile, stylish, fascinating.

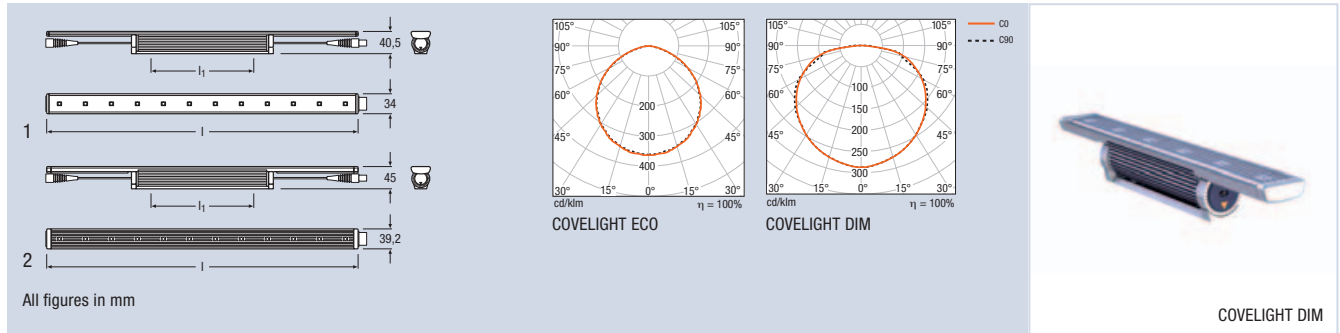
With the new LED lighting solutions from OSRAM, you can now create professional lighting effects in every room of your home or professional applications like shops, malls or restaurants – in white and even in color. The compact dimensions of LEDs make decorative lighting extremely flexible. However, that's just one of many benefits. Including both cove lights and modular light strips, OSRAM's innovative range of decorative lighting solutions sets no limits on your creativity and increases the energy efficiency of your home.

Decoration & Living

LEDVANCE® COVELIGHT	78
LEDs DECO® FLEX	80




LEDVANCE® COVELIGHT



Product reference	Product number	COLOR	W	K	lm	R _a	△°	○	l [mm]	h [mm]	Icons	No.
LEDVANCE® COVELIGHT S												
Covelight S 827 ECO	4008321669759	aluminum	3.5	2700	170	> 80	120	no	305	100	4x1	1
Covelight S 830 ECO	4008321669780	aluminum	3.5	3000	170	> 80	120	no	305	100	4x1	1
Covelight S 840 ECO	4008321669810	aluminum	3.5	4000	170	> 80	120	no	305	100	4x1	1
Covelight S 827 DIM	4008321669841	aluminum	7	2700	320	> 80	150	yes	305	100	4x1	2
Covelight S 830 DIM	4008321981950	aluminum	7	3000	320	> 80	150	yes	305	100	4x1	2
Covelight S 840 DIM	4008321669896	aluminum	7	4000	320	> 80	150	yes	305	100	4x1	2
LEDVANCE® COVELIGHT M												
Covelight M 827 ECO	4008321669926	aluminum	7	2700	340	> 80	120	no	610	230	4x1	1
Covelight M 830 ECO	4008321669957	aluminum	7	3000	340	> 80	120	no	610	230	4x1	1
Covelight M 840 ECO	4008321669988	aluminum	7	4000	340	> 80	120	no	610	230	4x1	1
Covelight M 827 DIM	4008321670014	aluminum	14	2700	640	> 80	150	yes	610	200	4x1	2
Covelight M 830 DIM	4008321981974	aluminum	14	3000	640	> 80	150	yes	610	200	4x1	2
Covelight M 840 DIM	4008321670069	aluminum	14	4000	640	> 80	150	yes	610	200	4x1	2
LEDVANCE® COVELIGHT L												
Covelight L 827 DIM	4008321670182	aluminum	21	2700	960	> 80	150	yes	915	350	4x1	2
Covelight L 830 DIM	4008321981967	aluminum	21	3000	960	> 80	150	yes	915	350	4x1	2
Covelight L 840 DIM	4008321670236	aluminum	21	4000	960	> 80	150	yes	915	350	4x1	2

LEDVANCE® COVELIGHT accessories

Product reference	Product number	COLOR	l [mm]	
LEDVANCE® COVELIGHT cables				
Covelight Entry Cable EU	4008321 685421	gray	2000	20x1
Covelight Entry Cable UK	4008321 685445	gray	2000	20x1
Covelight Connection Cable	4008321 685469	gray	1000	20x1

Product features:

- Phase-cut dimmable (DIM)
- Lengths available: 305 mm (S), 610 mm (M), 915 mm (L)
- Luminaire efficacy > 45 lm/W
- Color rendering index $R_a \geq 80$
- Rotation: $\pm 90^\circ$ (adjustable in 10° increments)
- Luminaire color: aluinium
- Color temperature:
2700 K, 3000 K (warm white) or 4000 K (neutral white)
- Beam angles: 120° (ECO), 150° (DIM)
- Average life: 50000 h
- Type of protection: IP20
- 5 years guarantee



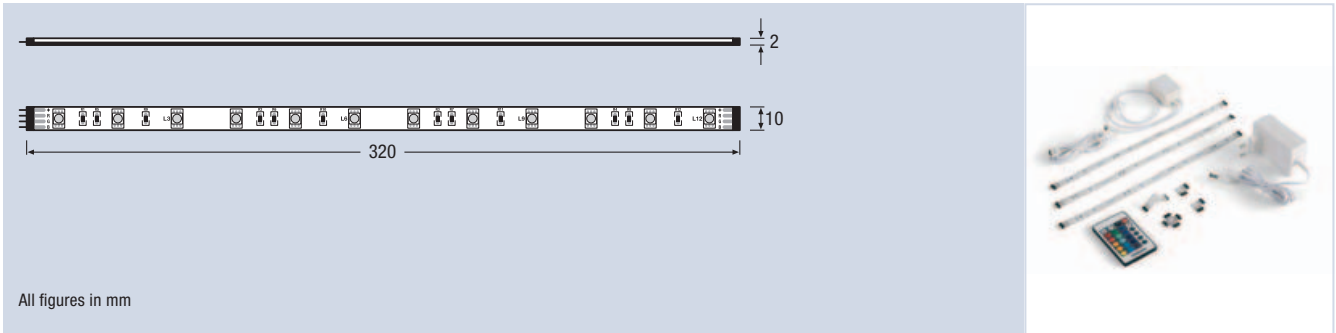
For details and conditions see
www.osram.com/guarantee

Product benefits:

- Serial connection up to 90 m (ECO) for light band applications
- State-of-the-art OSRAM Golden DRAGON® Plus for excellent illumination
- Efficient replacement of fluorescent systems
- Plug-and-play system allows easy installation (direct mains voltage)
- Low profile and three different lengths for maximum flexibility
- UV-/IR-free illumination
- Nearly maintenance-free within the luminaire lifetime



LEDs DECO® FLEX



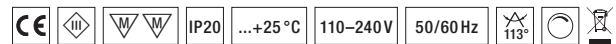
All figures in mm

Product reference	Product number	COLOR		W	
LEDs DECO® FLEX					
LEDs DECO FLEX Set	4008321 524348	transparent/white	RGB	3x1.8	4x1
LEDs DECO FLEX Add-on	4008321 524409	transparent/white	RGB	2x1.8	6x1
LEDs DECO FLEX Extension Kit	4008321 972064	transparent/white	–	–	6x1

There is practically no end to the range of applications for the new flexible light strips. Used as decorative background lighting, for illuminating wall shelves or display cabinets or mounted over mirrors, pictures and wall features: whatever the application, LEDs DECO® FLEX can be positioned nearly anywhere.

Features and benefits:

- Flexible, bendable LED strips
- Color change
- Can be cut to length to fit any shelving or any corner perfectly
- Can be extended to an overall length of up to 3 m
- The Plug & Light Set contains 3 LED strips, a remote control, ECG and connectors
- LEDs DECO® FLEX Add-on contains 2 LED strips and connectors
- LEDs DECO® FLEX Extension Kit contains 1 m extension cable





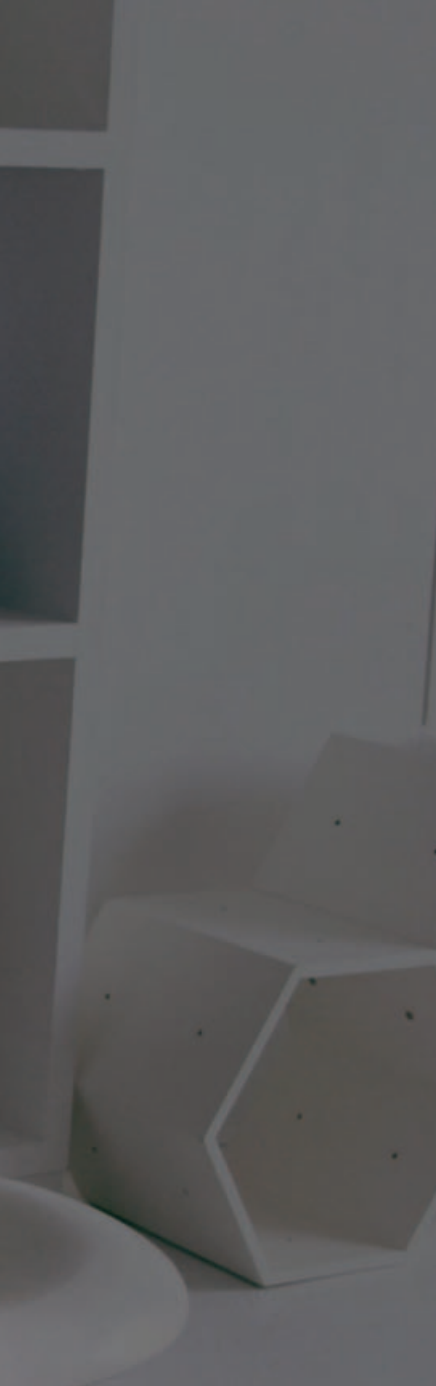


Compact, durable, attractive.

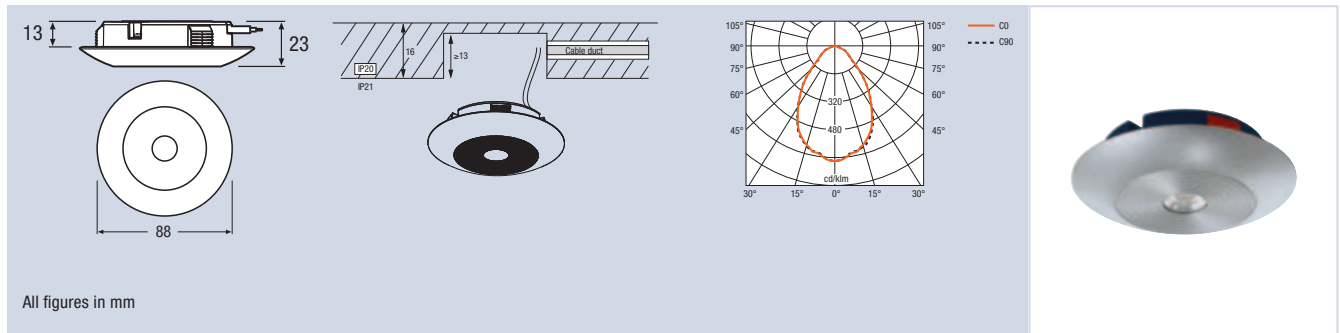
Under-cabinet luminaires from OSRAM are an elegant solution for plenty of light in every room. They are suitable for providing illumination under kitchen cabinets, in shelving or in wardrobes and are easy and quick to install thanks to plug & play systems. With their classic design and compact dimensions, they can be integrated harmoniously into their environment, provide unobtrusive, pleasant light, and offer a perfect combination of functionality, energy efficiency, durability and high-quality design.

Under-cabinet luminaires

LEDVANCE® DOWNLIGHT S	84
LEDVANCE POLYBAR®	85
LINEARlight-DRAGON®	87
LUMINESTRA® LED	88
LUMINESTRA® eco LED	89
QOD®	90
QOD DOMINO®	91
Slim Shape LED	92
Slim Shape LED Sensor	93
LED Cone	94
LED Disk	95
LUMILUX® VARIO-FM	96
LUMINESTRA® EL	97
PICOLINE® EL	98
SLIMLITE® EL	99
HALONESTRA®	100



LEDVANCE® DOWNLIGHT S



All figures in mm

Product reference	Product number	COLOR		lm	cd	W	K		
LEDVANCE® DOWNLIGHT S									
LEDVANCE DOWNLIGHT S 830 L80 AL	4008321 968623	aluminum		830	325	214	6.5	3000	4x1
LEDVANCE DOWNLIGHT S 830 L80 WT	4008321 968630	white		830	325	214	6.5	3000	4x1
LEDVANCE DOWNLIGHT S 840 L80 AL	4008321 968647	aluminum		840	325	214	6.5	4000	4x1
LEDVANCE DOWNLIGHT S 840 L80 WT	4008321 968654	white		840	325	214	6.5	4000	4x1

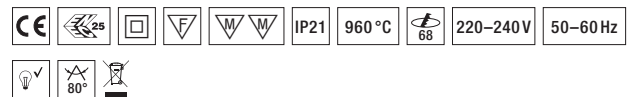
LEDVANCE® DOWNLIGHT S is a recessed LED furniture luminaire with particularly small dimensions and can be used as a replacement for 20 W low-voltage halogen spots. Thanks to its shallow mounting depth, it can be fitted on the underside of kitchen shelving and still leave the entire top surface usable. LEDVANCE® DOWNLIGHT S can be connected directly to 220–240V and uses the classic side holes in the shelves so installation is really simple. For standard installations with break-through, the cable can be re-routed upward in one easy action without the need for tools.

Features and benefits:

- Energy-saving recessed furniture luminaire equipped with OSOLON® LED from OSRAM
- Very compact LED luminaire. Can be integrated in 16 mm shelving and kitchen cupboards with standard 8 mm cable duct.
- Can be used as replacement for 20 W low-voltage halogen applications
- Emits less heat than classic halogen luminaires
- Direct connection to 220–240V
- Suitable for different applications thanks to flexible positioning of the cable outlet
- Mounting diameter 68 mm
- Ring colors in white matt or anodized aluminum
- Color temperatures warm white (3000 K) and neutral white (4000 K)

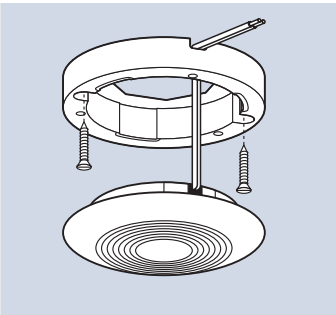



For details and conditions, see www.osram.com/guarantee

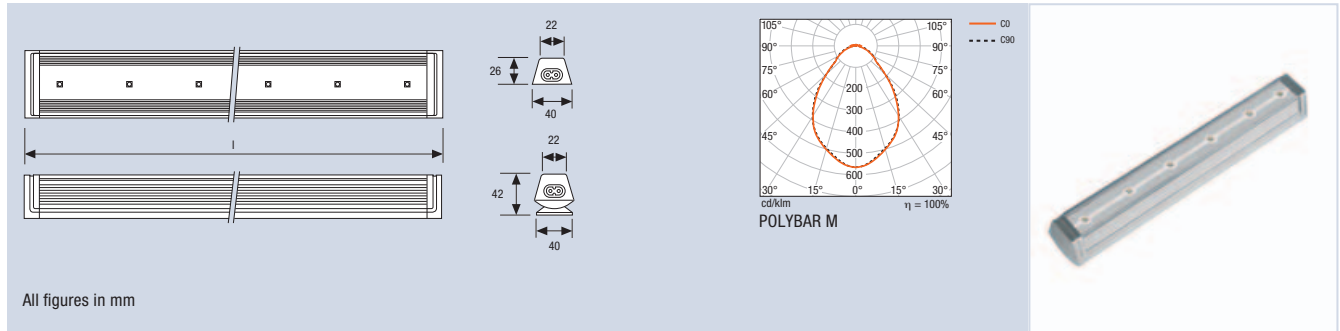


LEDVANCE® DOWNLIGHT S accessories

Product reference	Product number	COLOR	h (mm)	d (mm)	
LEDVANCE® DOWNLIGHT S accessories					
LEDVANCE DOWNLIGHT S AL CANOPY 4X1 OSRAM	4008321 691385	aluminum	15	89	4x1
LEDVANCE DOWNLIGHT S WT CANOPY 4X1 OSRAM	4008321 691345	white	15	89	4x1

LEDVANCE POLYBAR®



All figures in mm

Product reference	Product number	COLOR	lm	K	R _a	W	$\frac{l}{[mm]}$	
Warm white								
POLYBAR S 830 L80	4008321 963338	aluminum	350	3000	80	6	250	4x1
POLYBAR M 830 L80	4008321 963345	aluminum	700	3000	80	12	500	4x1
POLYBAR L 830 L80	4008321 962386	aluminum	1050	3000	80	18	750	4x1
Neutral white								
POLYBAR S 840 L80	4008321 962393	aluminum	350	4000	80	6	250	4x1
POLYBAR M 840 L80	4008321 962409	aluminum	700	4000	80	12	500	4x1
POLYBAR L 840 L80	4008321 962416	aluminum	1050	4000	80	18	750	4x1
Cold white								
POLYBAR S 850 L80	4008321 962423	aluminum	350	5000	80	6	250	4x1
POLYBAR M 850 L80	4008321 962430	aluminum	700	5000	80	12	500	4x1
POLYBAR L 850 L80	4008321 962447	aluminum	1050	5000	80	18	750	4x1

Variable modular system of linear LED luminaires with integrated control gear including connectors for professional shelf/furniture lighting, cove lighting or for illuminating work surfaces. Up to 20m long installations are perfectly lit thanks to the latest generation of high-flux OSRAM OSOLON® LEDs.

Features and benefits:


- Available in 3 different lengths (250 mm, 500 mm and 750 mm) for different applications
- Simple connection thanks to integrated connector system
- Average life 50000 hours
- 2 different systems for surface mounting: either with brackets (incl.) or swivel base (accessory) ±20°
- Direct connection to the AC power supply thanks to integrated control gear

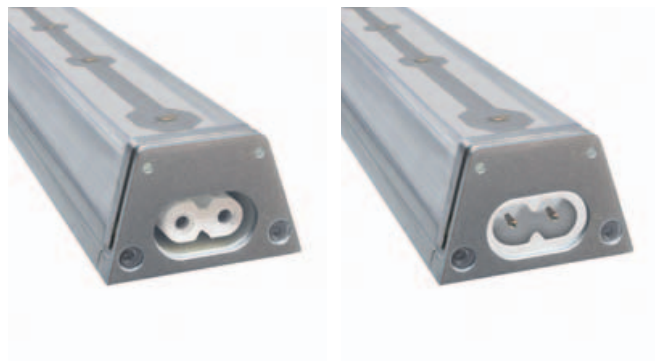
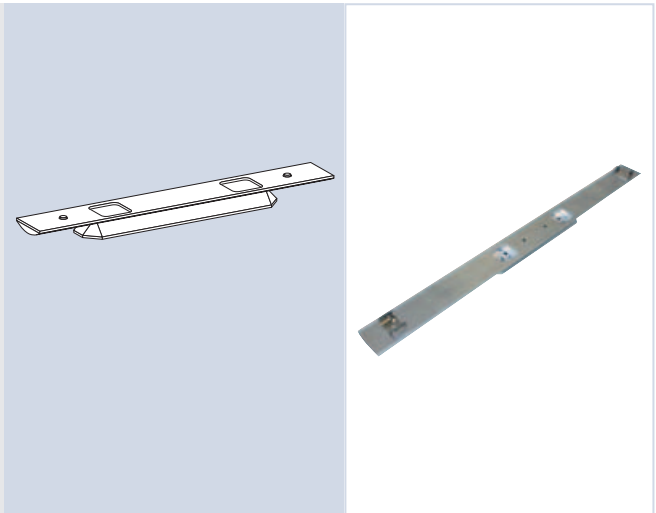


For details and conditions, see www.osram.com/guarantee

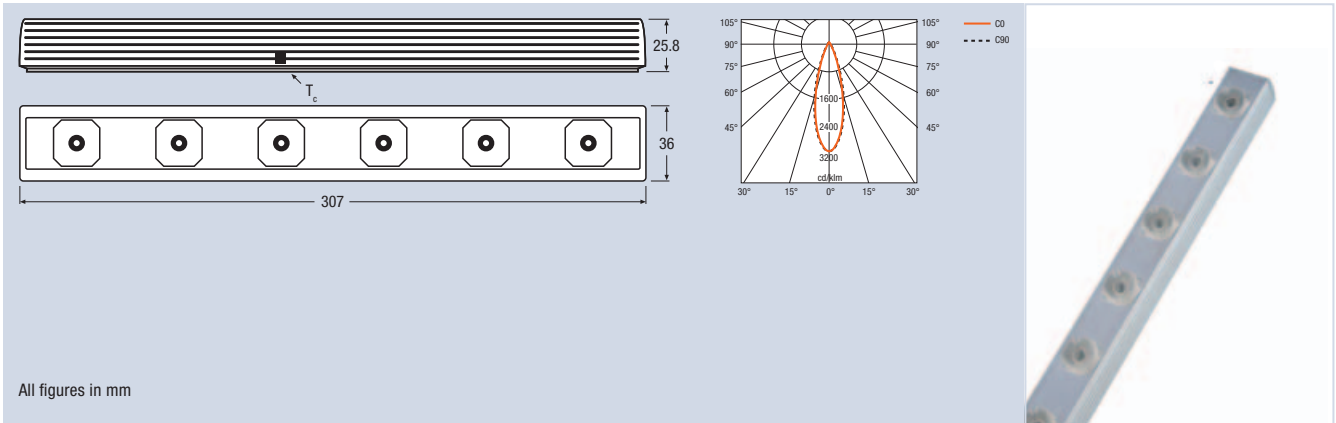


LEDVANCE POLYBAR® accessories

Product reference	Product number	COLOR	l [mm]	b [mm]	h [mm]	
LEDVANCE POLYBAR® swivel base						
POLYBAR Swivel Base S	4008321626400	aluminum	250	40	12	4x1
POLYBAR Swivel Base M	4008321626431	aluminum	500	40	12	4x1
POLYBAR Swivel Base L	4008321626462	aluminum	750	40	12	4x1
LEDVANCE POLYBAR® cables						
POLYBAR Entry Cable EU	4008321626493	gray	2000	-	-	20x1
POLYBAR Entry Cable UK	4008321626516	gray	2000	-	-	20x1
POLYBAR Connection Cable	4008321626530	gray	250	-	-	20x1
POLYBAR Connection Cable	4008321626554	gray	500	-	-	20x1
POLYBAR Connection Cable	4008321626578	gray	1000	-	-	20x1



LINEARlight-DRAGON®



All figures in mm

Product reference	Product number	COLOR		W	K	cd		
LINEARlight-DRAGON®¹⁾								
LINEARlight-DRAGON LD06B-W4F-854-L30	4008321 395290	gray/aluminum	cold white	12	5400	1350	6	6x1
LINEARlight-DRAGON LD06B-W4F-840-L30	4008321 394613	gray/aluminum	neutral white	12	4000	1350	6	6x1
LINEARlight-DRAGON LD06B-W4F-830-L30	4008321 394491	gray/aluminum	warm white	12	3000	1350	6	6x1

1) Available until Sept. 2012

The complete LINEARlight-DRAGON® module is a compact light source with optics and integrated heat sink for a wide variety of lighting tasks.

Applications:

- Ideal as recessed luminaire
- Suitable for wide-area illumination and other general lighting applications
- Wallwashing, cove lighting

Features and benefits:

- New LD06B-W4F types with 80–120 % higher luminous flux than predecessor LD06A-W3F types
- Linear high-power LED module with 6 Golden DRAGON® Plus LEDs

- Available in three white color temperatures (5400 K, 4000 K and 3000 K)
- Integrated designer heat sink for optimum heat removal
- Total wattage 12 W at 0.5 A
- Mounting holes for attaching with screws. Alternative mounting of the module with mounting brackets LD-MB.
- Dimmable by pulse width modulation (PWM)
- Integrated 30° optics (for complete module) for wide-area illumination
- Perfectly matched to 24 V OSRAM OPTOTRONIC® Electronic Control Gear
- Up to six modules can be connected one after the other with mid-feed with only one OT 75 unit
- Plug & Play connection (feeder and connector) thanks to the LD-2x CONNECTsystem

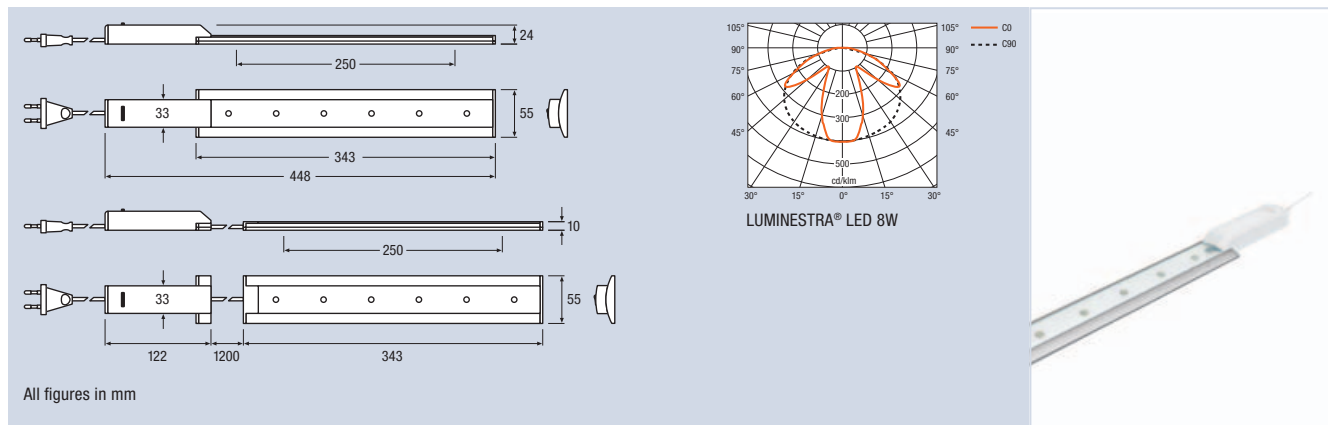


LINEARlight-DRAGON® accessories

Product reference	Product number	V	A	l [mm]	b [mm]	h [mm]	
LINEARlight-DRAGON® accessories							
LINEARlight-DRAGON LD-2CONN-100	4008321 182883	100	2	5.2	10	4.3	50x10
LINEARlight-DRAGON LD-2CONN-40	4008321 182869	100	2	5.2		4.3	50x10
LINEARlight-DRAGON LD-2PIN	4008321 182845	100	2	6.4	9.7	4.5	50x10

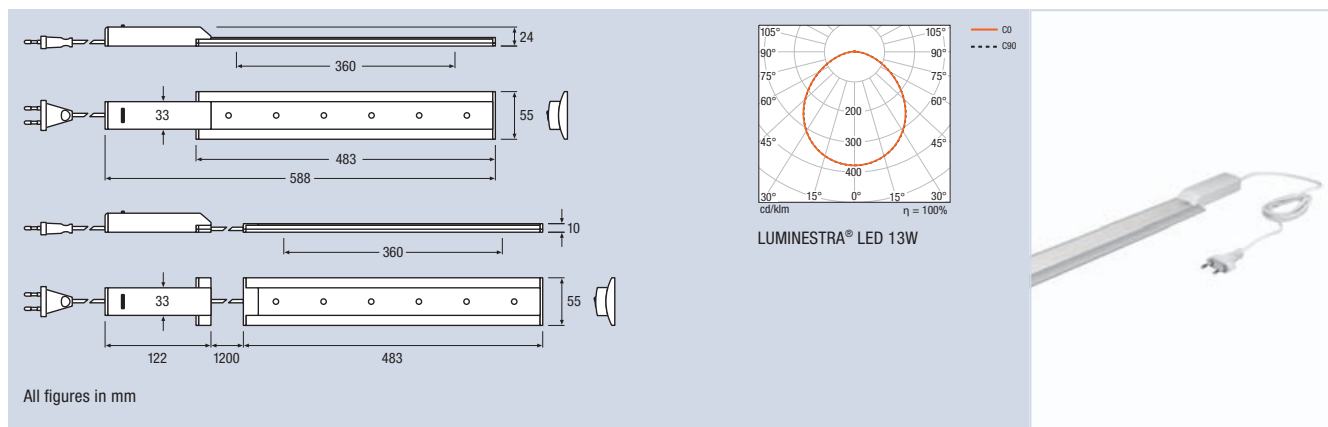
All figures in mm

LUMINESTR[®] LED



All figures in mm

Product reference	Product number	Ordering number	COLOR	W	lm	K	°	Icons	
LUMINESTR[®] LED 8W									
LUMINESTR [®] LED 8W 3000K	4008321524461	73092	white	8	830	435	3000	80	4x1
LUMINESTR [®] LED 8W 4000K	4008321524485	73093	white	8	840	464	4000	80	4x1



All figures in mm

Product reference	Product number	Ordering number	COLOR	W	lm	K	°	Icons	
LUMINESTR[®] LED 13W									
LUMINESTR [®] LED 13W 3000K	4008321710581	73096	white	13	830	960	3000	120	4x1
LUMINESTR [®] LED 13W 4000K	4008321710604	73097	white	13	840	960	4000	120	4x1

LUMINESTR[®] LED is impressive for its low-profile design and excellent UV-free illumination of surfaces. The OSRAM control gear is tailored to the LED and therefore sets new standards in energy efficiency.

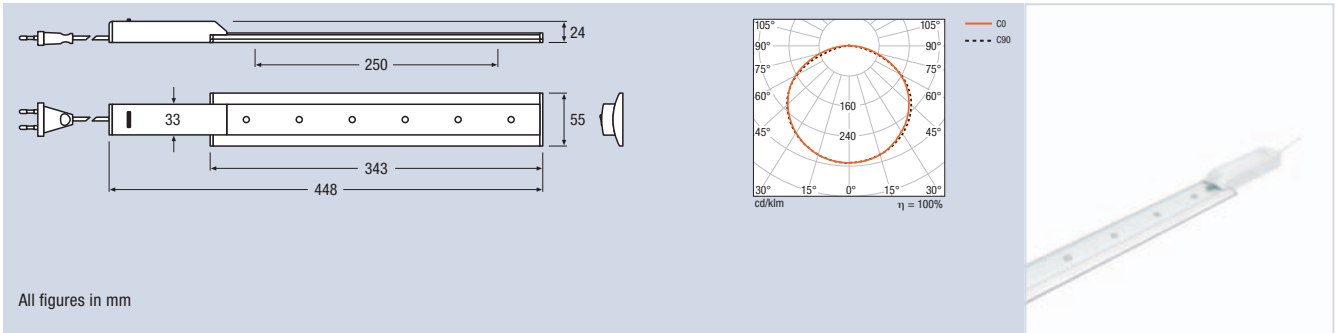
Features and benefits:

- High-quality aluminum casing
- Opaque cover for a glare-free illumination

- Integrated on/off switch
- Ready to install with 1.6m of cable and plug
- The luminaire can also be operated with separate control gear
- Equipped with LED, either 3000 K or 4000 K



LUMINESTR[®] eco LED



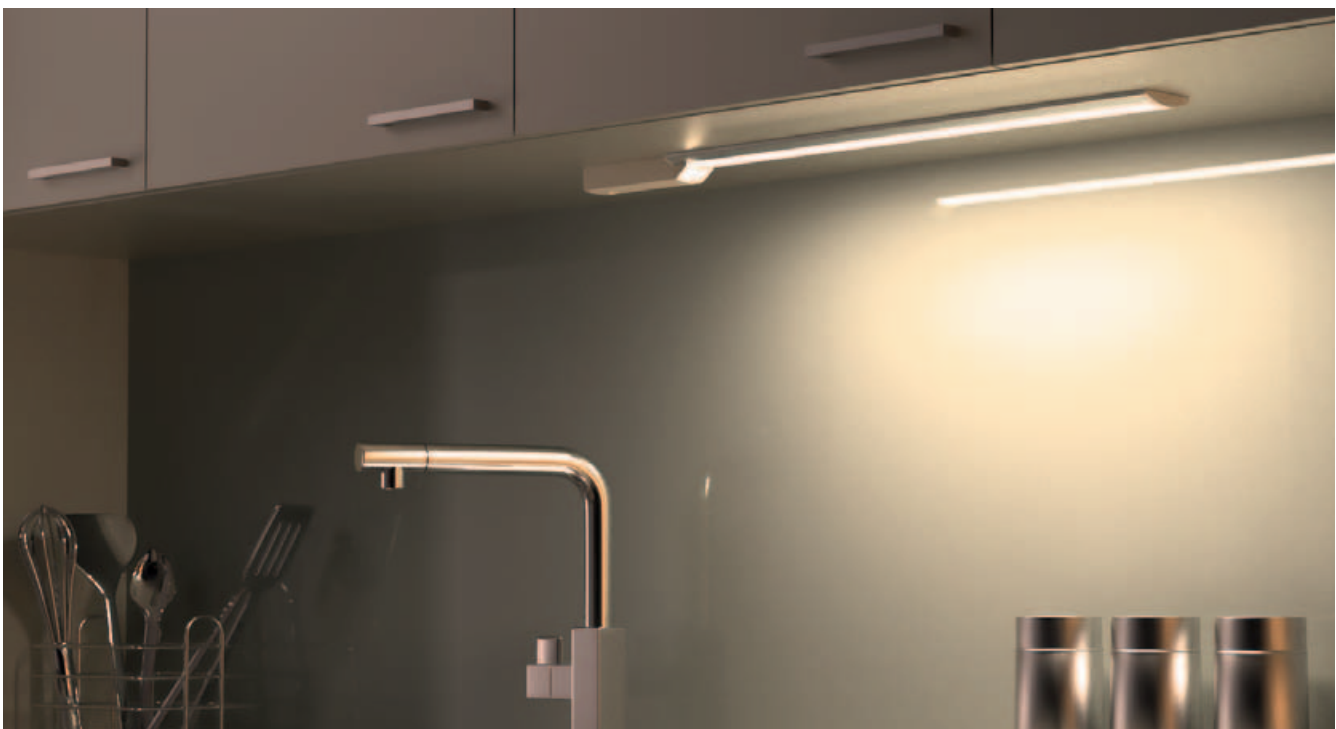
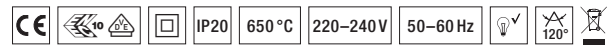
All figures in mm

Product reference	Product number	COLOR	W		lm	K	
LUMINESTR[®] eco LED							
LUMINESTR [®] eco LED 7W 3000K	4006584922963	white	7	830	375	3000	4x1
LUMINESTR [®] eco LED 7W 4000K	4006584922987	white	7	840	395	4000	4x1

LUMINESTR[®] eco LED is impressive for its low-profile design and excellent UV-free illumination of surfaces. The OSRAM control gear is tailored to the Golden DRAGON[®] Plus LED and therefore sets new standards in energy efficiency.

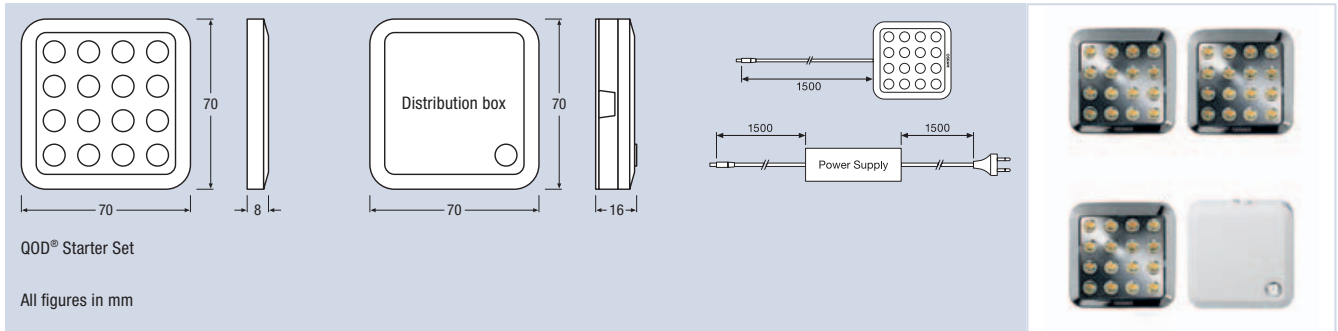
Features and benefits:

- High-quality aluminum casing
- Opaque cover for a glare-free illumination
- Integrated on/off switch
- Ready to install with 1.6 m of cable and plug
- Equipped with Golden DRAGON[®] LED, either 3000 K or 4000 K



UNDER-CABINET LUMINAIRES

QOD®



QOD® Starter Set

All figures in mm

Product reference	Product number	COLOR	t [h]	W	V	lm	K	°	Icons
QOD®									
QOD Starter Set	4008321962911	white	30000	3x3.5	220-240	3x150	3000	45	4x1
QOD Add-on	4008321962935	white	30000	3.5	12	150	3000	45	6x1
QOD CHROME Starter Set	4008321646958	chrome	30000	3x3.5	220-240	3x150	3000	45	4x1
QOD CHROME Add-on	4008321646972	chrome	30000	3.5	12	150	3000	45	6x1
QOD EXTENSION CABLE 1.5 m	4008321972842	white	-	-	12	-	-	-	6x1

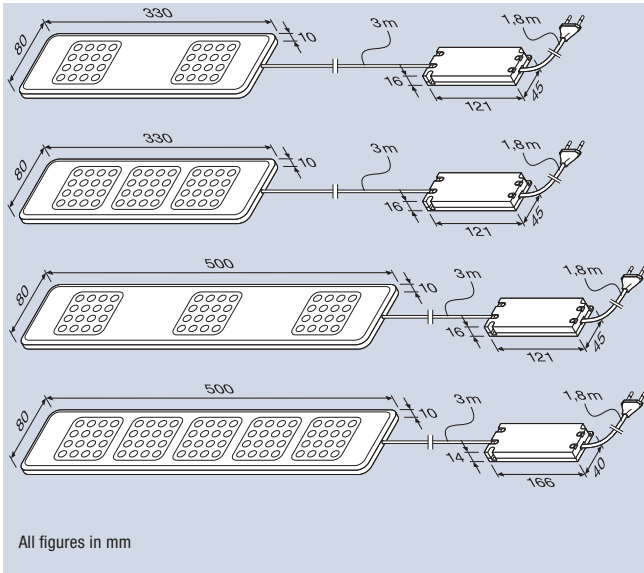
The elegant square LED surface-mounted QOD® module is the perfect lighting choice for confined spaces. Thanks to the ultra-flat configuration, clean design and 16 high-power LEDs, the Plug & Light light tiles blend discreetly into any environment, yet provide powerful light.

Features and benefits:

- Super flat luminaire (only 8 mm thick)
- Energy saving through LED technology
- QOD® Starter Set contains 3 QOD® luminaires, ECG, EU plug and distribution box with an integrated switch
- Distribution box provides a simple way to expand the system to a maximum of 5 luminaires (QOD® Add-on)
- Mounting possibilities: adhesive tape or screws
- Luminaire is available in 2 colors: white and chrome
- Quick and simple installation: Plug & Light



QOD DOMINO®



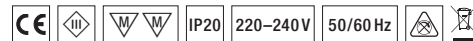
All figures in mm

Product reference	Product number	COLOR	t [h]	W	lm	K	°	Icons
QOD DOMINO®								
QOD DOMINO short 2x4W	4008321974983	white	30000	8	300	3000	45	6x1
QOD DOMINO short 3x4W	4008321975010	white	30000	12	450	3000	45	6x1
QOD DOMINO long 3x4W	4008321975041	white	30000	12	450	3000	45	6x1
QOD DOMINO long 5x4W	4008321975072	white	30000	20	750	3000	45	6x1

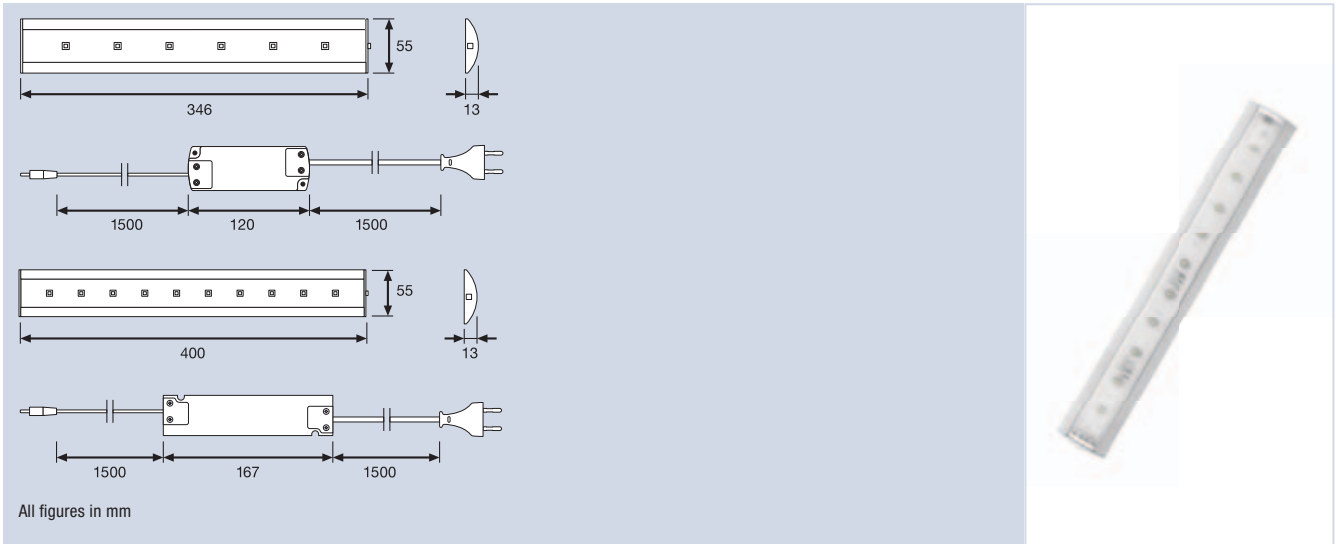
LED family QOD DOMINO® consists of four ultra-slim and elegant light bars in three power output levels and has two lengths. Thanks to its slim profile and compact dimensions, each family member integrates very discreetly into any environment, such as base cabinets in the kitchen, shelves, wardrobes or niches.

Features and benefits:

- Characteristic stylish design
- Extremely low-profile (only 10 mm)
- Energy saving through LED technology
- Brilliant warm-white light (3000 K)
- QOD DOMINO® contains a light bar with integrated switch, ECG and EU plug
- Quick and simple installation: Plug & Light
- Integrated on/off switch



Slim Shape LED



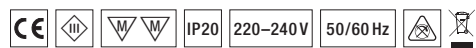
All figures in mm

Product reference	Product number	COLOR	t(h)	W	lm	K		
Slim Shape LED								
Slim Shape LED 8W	4008321977519	silver/matt	20000	8	420	3000	115	4
Slim Shape LED 13W	4008321974501	silver/matt	20000	13	630	3000	115	4

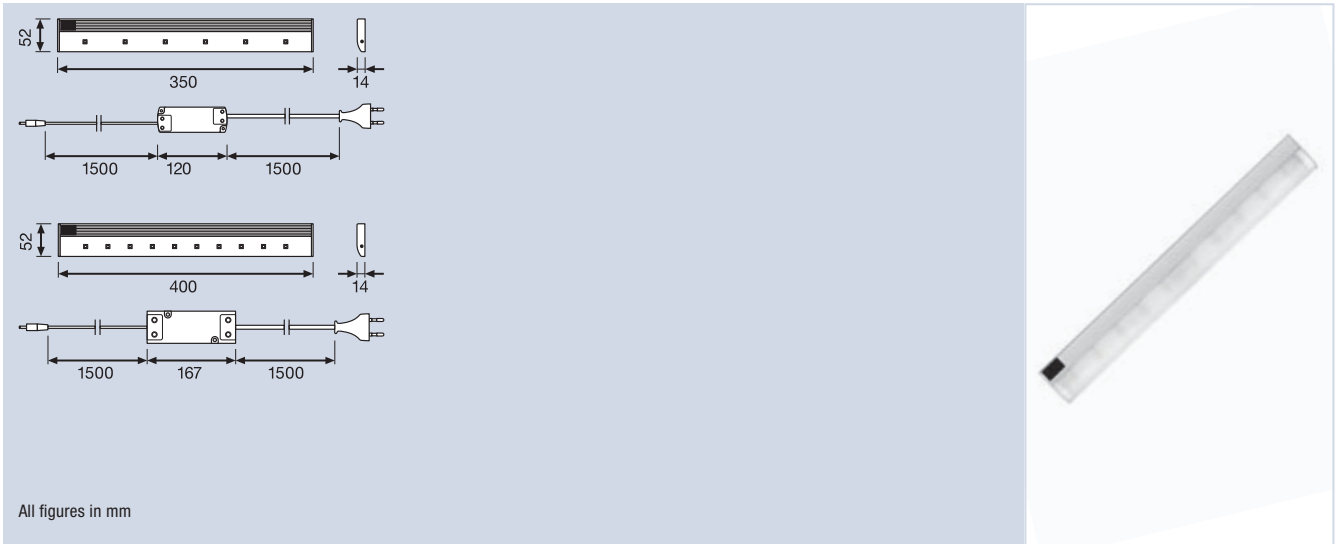
Features and benefits:

- Extremely thin and smart batten luminaire
- High brightness with high-power LEDs
- High-value appearance and durability
- Easy installation: Plug & Light

- Optics to cover LED and distribute light
- Wide beam angle > 115°
- External driver with 1.5 m cable on each side
- On/off switch



Slim Shape LED Sensor



All figures in mm

Product reference	Product number	COLOR	t(h)	W	lm	K		
Slim Shape LED Sensor								
Slim Shape LED 8W Sensor	4008321975164	silver/matt	20000	8	510	3000	14	4
Slim Shape LED 13W Sensor	4008321975195	silver/matt	20000	13	680	3000	14	4

Features and benefits:

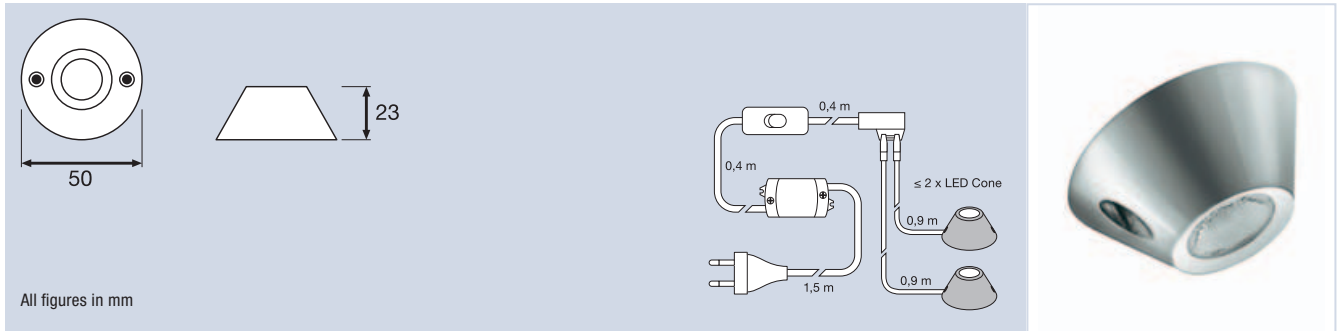
- Extremely thin and smart batten luminaire with sensor
- Hygienic, touchless switching via very reliable and accurate sensor
- High brightness with high-power LEDs
- High-value appearance and durability

- Easy installation: Plug & Light
- Optics to cover LED and distribute light
- Wide beam angle > 111°
- External driver with 1.5m cable on each side



UNDER-CABINET LUMINAIRES

LED Cone

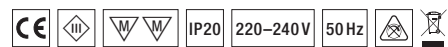


Product reference	Product number	COLOR	t[h]	W	lm	K	°	Icons
LED Cone								
LED Cone	4008321624185	silver	30000	2x1	2x55	3000	40	6

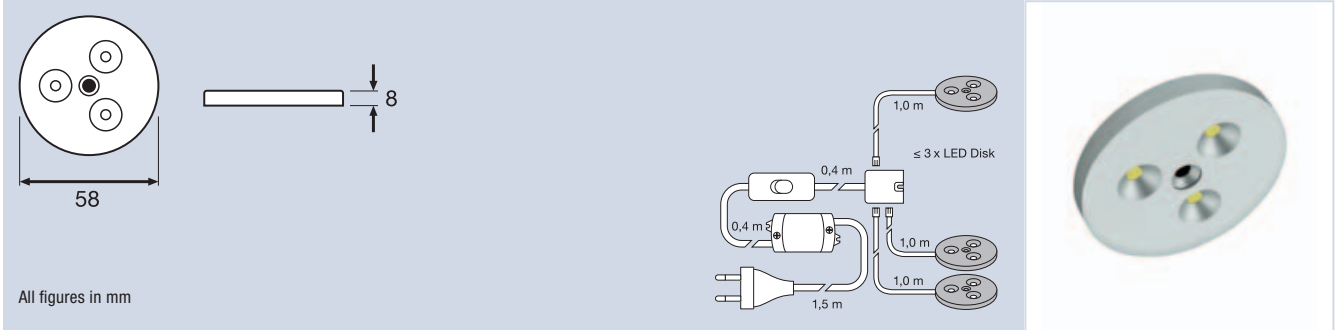
Features and benefits:

- LED downlight in cone form
- Aluminum housing
- Easy installation: Plug & Light

- Mounting with screws, no cut-out necessary
- External ECG with 1.5 m cable on primary side, and 1.3 m cable on secondary side



LED Disk



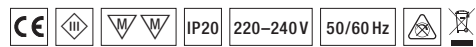
All figures in mm

Product reference	Product number	COLOR	t [h]	W	lm	K	°	Icons
LED Disk								
LED Disk	4008321624154	silver	30000	3x2.3	3x120	3000	100	6

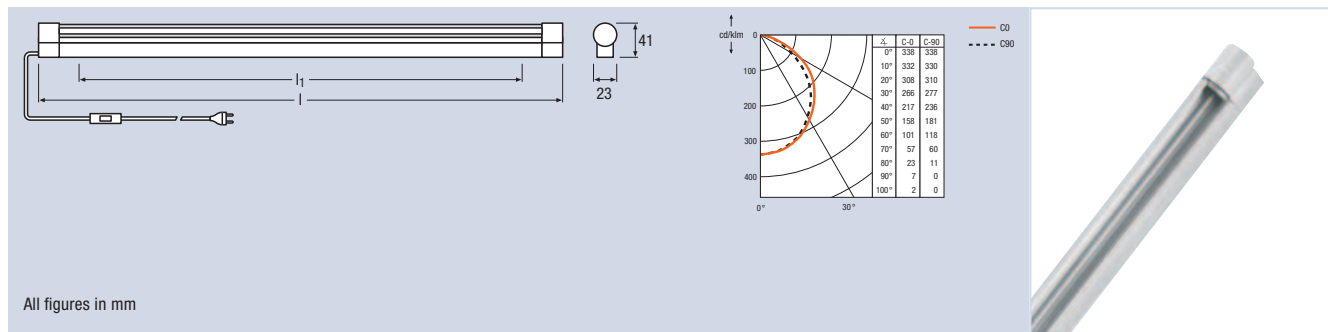
Features and benefits:

- Small and slim LED downlight in round aluminum shape
- Easy installation: Plug & Light
- Through-wiring or connection via distributor, for more flexibility in more application situations

- Mounting with screw or with adhesive tape, no cut-outs necessary



LUMILUX® VARIO-FM



All figures in mm

Product reference	Product number	Ordering number	COLOR	W	K	l [mm]	mm	
LUMILUX® VARIO-FM								
LUMILUX VARIO-FM 8W	4050300636351	72292	white	8	3000	335	250	4x1
LUMILUX VARIO-FM 11W	4050300636382	72293	white	11	3000	437	352	4x1
LUMILUX VARIO-FM 13W	4050300636405	72294	white	13	3000	538	453	4x1

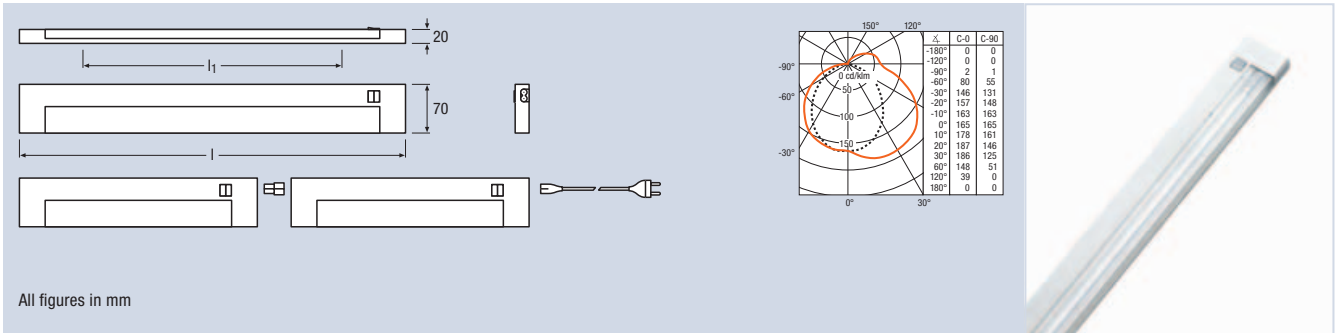
Thanks to the high-intensity LUMILUX® T2 FM miniature fluorescent lamp with a tube diameter of only 7 mm, LUMILUX® VARIO-FM provides ideal lighting in the tightest of spaces.

Features and benefits:

- With integrated QUICKTRONIC® QT-FM Electronic Control Gear
- With 360° rotary tube reflector for variable directional light
- Ready to install with 2.5 m of cable and plug
- Switch integrated in the power cable
- Equipped with LUMILUX® T2 FM 730 fluorescent lamp



LUMINESTR[®] EL



All figures in mm

Product reference	Product number	Ordering number	COLOR	W		K	L [mm]				
LUMINESTR[®] EL											
LUMINESTR EL 8W 827	4050300008738	73071	white	8	827	2700	342	320	yes	4x1	
LUMINESTR EL 13W 827	4050300008745	73081	white	13	827	2700	555	300+485	yes	4x1	
LUMINESTR EL 8W 840	4008321962690	73271	white	8	840	4000	342	320	yes	4x1	
LUMINESTR EL 13W 840	4008321962706	73281	white	13	840	4000	555	300+485	yes	4x1	
LUMINESTR EL 8W UNP	4008321962751	73371	white	8	-	-	342	320	no	4x1	
LUMINESTR EL 13W UNP	4008321962768	73381	white	13	-	-	555	300+485	no	4x1	

Accessories on p. 101

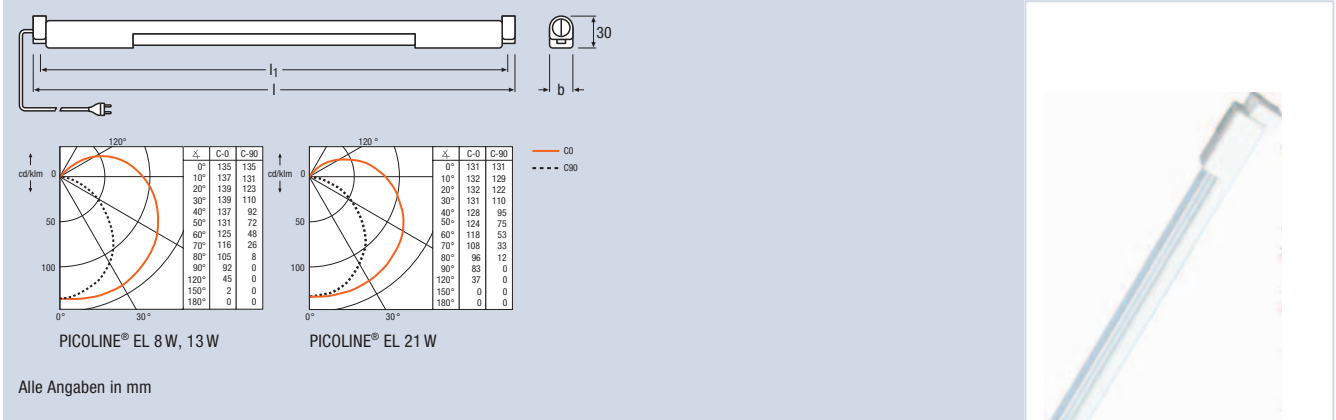
The extremely popular LUMINESTR[®] EL furniture luminaire has all the benefits of electronic operation. The large light field extending across the diagonal provides excellent illumination. The built-in LUMILUX[®] T5 fluorescent lamp produces a pleasant flicker-free light. Because they have the same cross-section, LUMINESTR[®] EL can be combined with HALONESTRA[®]. This luminaire is the perfect choice for brilliant halogen light.

Features and benefits:

- Furniture luminaire for optimum illumination of the task area
- Ready to install with 2 m of cable and plug
- Through-wirable with provided plug adapter
- Up to 10 LUMINESTR[®] EL or 8 HALONESTRA[®] luminaires can be combined to create strip lighting (all the same or mixed)
- With prismatic lamp cover for glare-free light
- With electronic control gear
- Equipped with LUMILUX[®] T5 827 and 840 fluorescent lamp or available without lamp

UNDER-CABINET LUMINAIRES

PICOLINE® EL



Product reference	Product number	Ordering number	COLOR	W	η_{LB}	K	l [mm]	b [mm]	l1 [mm]	l2 [mm]	Icons
PICOLINE® EL											
PICOLINE 8W electronic	4050300 499543	72041	white	8	0.70	2700	374	21	362	4x1	
PICOLINE 13W electronic	4050300 499567	72042	white	13	0.70	2700	602	21	591	4x1	
PICOLINE 21W electronic	4050300 593975	72043	white	21	0.65	2700	990	23	978	4x1	

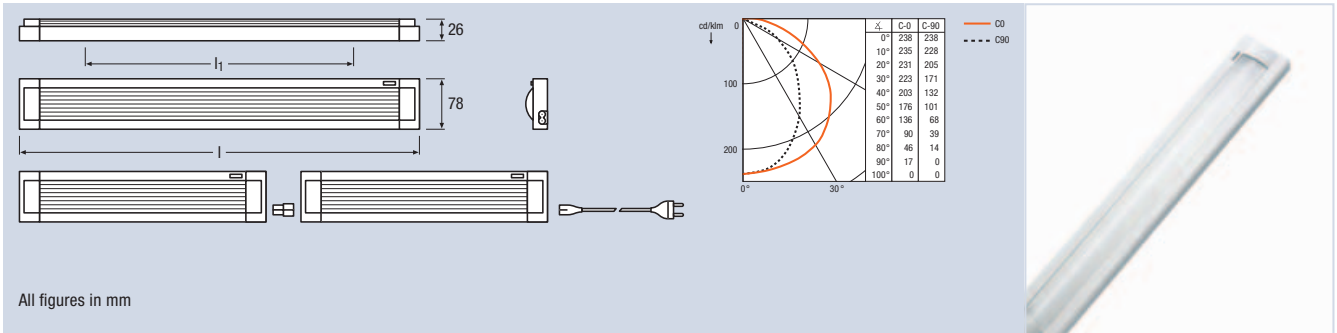
The miniature PICOLINE® EL furniture luminaire brings light into the tightest of spaces. The plastic clips are firmly attached to the mounting surface. The luminaire with its integrated lamp is then inserted into these clips and can then be adjusted as required.

Features and benefits:

- Extremely slim furniture luminaire
- Rotates through 360° around its longitudinal axis
- Ready to install with 2 m of cable and plug
- With electronic control gear
- Integrated switch
- Equipped with LUMILUX® T5 827 fluorescent lamp or 21 W version with LUMILUX® T5 HE 827 (lamp cannot be changed)



SLIMLITE® EL



All figures in mm

Product reference	Product number	Ordering number	COLOR	W	K	I [mm]	I [mm]	
SLIMLITE® EL								
SLIMLITE EL 8W	4050300620145	73073	white	8	2700	320	230	4x1
SLIMLITE EL 13W	4050300620121	73083	white	13	2700	550	460	4x1

Accessories on p. 101

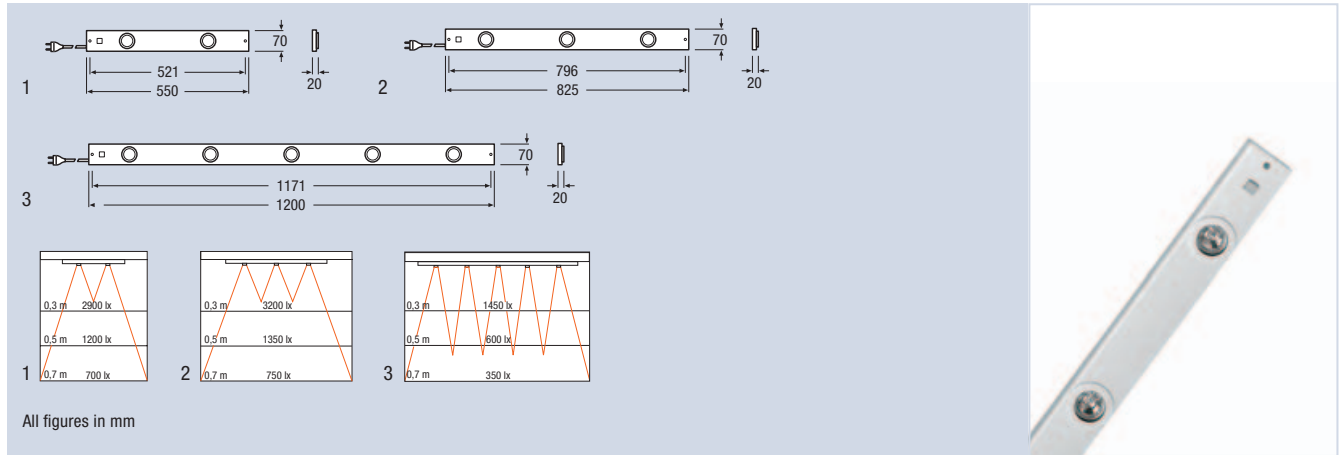
SLIMLITE® EL provides economical light from a particularly compact unit. Can be combined with the supplied plug adapter to create strip lighting.

Features and benefits:

- Low-profile furniture luminaire for optimum illumination of the task area
- With prismatic lamp cover for glare-free light
- With electronic control gear
- Ready to install with 2 m of cable and plug
- Through-wirable with provided plug adapter
- Equipped with LUMILUX® T5 827 fluorescent lamp



HALONESTRA®



Product reference	Product number	Ordering number	COLOR	W	K		
HALONESTRA®							
HALONESTRA 2x20W	4050300 486338	41132	white	2x20	3000	4x1	1
HALONESTRA 3x20W	4050300 486352	41133	white	3x20	3000	4x1	2
HALONESTRA 5x10W	4050300 486376	41134	white	5x10	3000	4x1	3

Accessories on p. 101


HALONESTRA® is the perfect choice for brilliant halogen light. Because they have the same cross-section, HALONESTRA® can be combined with LUMINESTRA® EL.

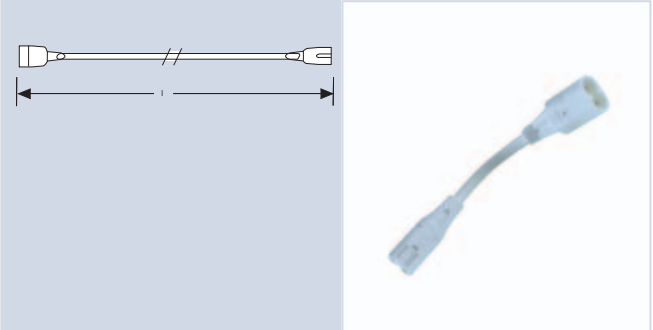
Features and benefits:

- Low-profile furniture luminaire for optimum illumination of the task area
- Ready to install with 2 m of cable and plug
- Through-wirable with provided plug adapter
- Up to 8 HALONESTRA® or 10 LUMINESTRA® EL luminaires can be combined to create strip lighting (all the same or mixed)
- With electronic transformer
- Dimmable with trailing-edge phase dimmer
- Equipped with HALOSTAR® STANDARD lamp



LUMINESTR[®] EL, SLIMLITE[®] EL, HALONESTRA[®] accessories

Product reference	Product number	Ordering number	COLOR	l (mm)	
LUMINESTR[®] EL, SLIMLITE[®] EL, HALONESTRA[®] cables					
Connecting cable 100 mm	4050300125602	74101-52	white	100	10x1
Connecting cable 600 mm	4050300125626	74101-53	white	600	10x1
Connecting cable 1000 mm	4050300125640	74101-54	white	1000	10x1



The connecting cables are used to span distances between the luminaires for strip lighting if the luminaires cannot or should not be placed close to one another with the supplied plug adapters.

Features and benefits:

- The connecting cables are available in lengths of 100, 600 and 1000 mm
- Suitable for LUMINESTR[®] EL, SLIMLITE[®] EL and HALONESTRA[®]





Elegant, pleasant, discreet.

Recessed luminaires perform a wide variety of tasks. Integrated into ceilings, they ensure general background lighting and provide pleasant ambient light in offices, meeting rooms, classrooms etc. In addition, they also act as decorative elements. All recessed luminaires from OSRAM are not only extremely functional, but are also easy to install and exceptionally durable. With their attractive designs, they blend easily into any surrounding and their high-quality light produces special lighting effects.

Recessed luminaires

Siteco louvre M T5 600 x 600 mm	104
Siteco louvre M T5 625 x 625 mm	106
Siteco louvre L T8	108
OSRAM DEDRA plus® T5 double parabolic DALI®	110
OSRAM DEDRA plus® T5 double parabolic	111
OSRAM DEDRA plus® T5 double parabolic eco	112
OSRAM DEDRA plus® T5 v-shaped alu	113
OSRAM DEDRA plus® T8 double parabolic	114
OSRAM DEDRA plus® T8 v-shaped alu	115
OSRAM DEDRA plus® T8 brilliant reflector, satinized lamellae	116
OSRAM DEDRA plus® T8 v-shaped white	117
DELTA	118



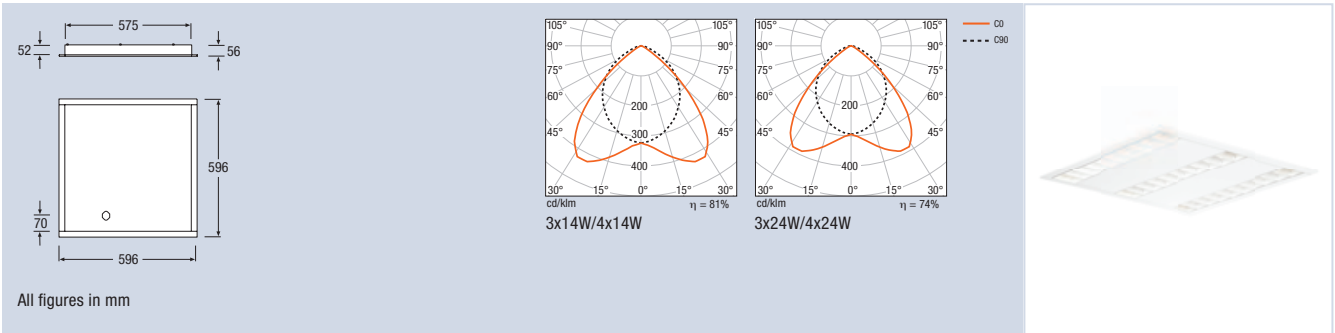
Siteco louvre M T5 600 x 600 mm

All figures in mm

Product reference	Product number	COLOR	W	η_{LB}	UGR horizontal	UGR vertical	
Siteco louvre M T5 600 x 600 mm brilliant BAP							
Siteco louvre M 3X14W T5 M600 ALU HSP	4050737038506	white	3x14	0.88	16.7	18	1x1
Siteco louvre M 3X24W T5 M600 ALU HSP	4050737038537	white	3x24	0.80	17.7	18.9	1x1
Siteco louvre M 4X14W T5 M600 ALU HSP	4050737038551	white	4x14	0.88	16.7	18	1x1
Siteco louvre M 4X24W T5 M600 ALU HSP	4050737038575	white	4x24	0.80	17.7	18.9	1x1

All figures in mm

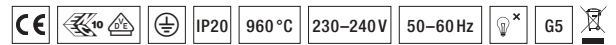
Product reference	Product number	COLOR	W	η_{LB}	UGR horizontal	UGR vertical	
Siteco louvre M T5 600 x 600 mm alu matt BAP							
Siteco louvre M 3X14W T5 M600 ALU MT	4050737038353	white	3x14	0.88	16.4	17.9	1x1
Siteco louvre M 3X24W T5 M600 ALU MT	4050737038377	white	3x24	0.80	17.4	18.9	1x1
Siteco louvre M 4X14W T5 M600 ALU MT	4050737038384	white	4x14	0.88	16.6	17.9	1x1
Siteco louvre M 4X24W T5 M600 ALU MT	4050737038414	white	4x24	0.80	17.6	18.9	1x1



Product reference	Product number	COLOR	W	η_{LB}	UGR horizontal	UGR vertical	
Siteco louvre M T5 600 x 600 mm alu matt							
Siteco louvre M 3X14W T5 M600 ALU RIBB	4050737038438	white	3x14	0.81	17.4	19.6	1x1
Siteco louvre M 3X24W T5 M600 ALU RIBB	4050737038445	white	3x24	0.74	18.4	20.6	1x1
Siteco louvre M 4X14W T5 M600 ALU RIBB	4050737038476	white	4x14	0.81	17.4	19.6	1x1
Siteco louvre M 4X24W T5 M600 ALU RIBB	4050737038490	white	4x24	0.74	18.4	20.6	1x1


Features and benefits:

- For installation in suspended ceilings 600 x 600 mm
- Connection with Linect plug
- Casing: painted steel, color similar to RAL 9010
- Electronic control gear for flicker-free light
- Suitable for computer screen workplaces according to EN 12464-1 (BAP versions only/HSP or MT)



Siteco louvre M accessories

Product reference	Product number	COLOR
Siteco louvre M accessories		
Louvre M rapid mount. bracket, 21-36mm	4039806133960	steel
Louvre M rapid mount. bracket, 36-50mm	4039806137609	steel



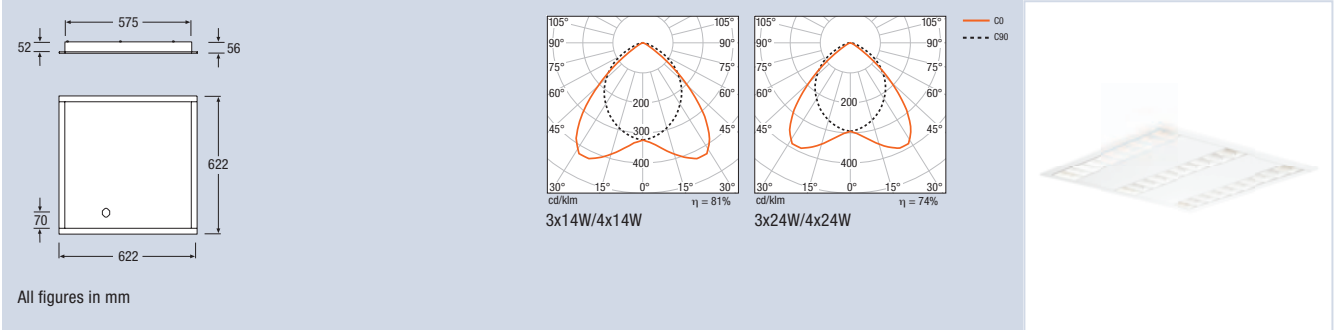
Siteco louvre M T5 625 x 625 mm

All figures in mm

Product reference	Product number	COLOR	W	η_{LB}	UGR horizontal	UGR vertical	
Siteco louvre M T5 625 x 625 mm brilliant BAP							
Siteco louvre M 3X14W T5 M625 HSP	4050737038261	white	3x14	0.88	16.7	18	1x1
Siteco louvre M 3X24W T5 M625 HSP	4050737038292	white	3x24	0.80	17.7	18.9	1x1
Siteco louvre M 4X14W T5 M625 HSP	4050737038315	white	4x14	0.88	16.7	18	1x1
Siteco louvre M 4X24W T5 M625 HSP	4050737038322	white	4x24	0.80	17.7	18.9	1x1

All figures in mm

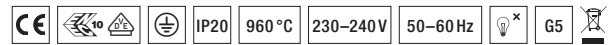
Product reference	Product number	COLOR	W	η_{LB}	UGR horizontal	UGR vertical	
Siteco louvre M T5 625 x 625 mm alu matt BAP							
Siteco louvre M 3X14W T5 M625 MT	4050737038117	white	3x14	0.88	16.4	17.9	1x1
Siteco louvre M 3X24W T5 M625 MT	4050737038131	white	3x24	0.80	17.4	18.9	1x1
Siteco louvre M 4X14W T5 M625 MT	4050737038155	white	4x14	0.88	16.6	17.9	1x1
Siteco louvre M 4X24W T5 M625 MT	4050737038179	white	4x24	0.80	17.6	18.9	1x1



Product reference	Product number	COLOR	W	η_{LB}	UGR horizontal	UGR vertical	
Siteco louvre M T5 625 x 625 mm alu matt							
Siteco louvre M 3X14W T5 M625 RIBB	4050737038193	white	3x14	0.81	17.4	19.6	1x1
Siteco louvre M 3X24W T5 M625 RIBB	4050737038209	white	3x24	0.74	18.4	20.6	1x1
Siteco louvre M 4X14W T5 M625 RIBB	4050737038230	white	4x14	0.81	17.4	19.6	1x1
Siteco louvre M 4X24W T5 M625 RIBB	4050737038254	white	4x24	0.74	18.4	20.6	1x1


Features and benefits:

- For installation in suspended ceilings 625 x 625 mm
- Connection with Linect plug
- Casing: painted steel, color similar to RAL 9010
- Electronic control gear for flicker-free light
- Suitable for computer screen workplaces according to EN 12464-1 (BAP versions only/HSP or MT)



Siteco louvre M accessories

Product reference	Product number	COLOR
Siteco louvre M accessories		
Louvre M rapid mount. bracket, 21-36mm	4039806133960	steel
Louvre M rapid mount. bracket, 36-50mm	4039806137609	steel



RECESSED LUMINAIRES

Siteco louvre L T8

All figures in mm

Product reference	Product number	COLOR	W	η_{LB}	UGR horizontal	UGR vertical	
Siteco louvre L T8 600 x 600 mm brilliant BAP							
Siteco louvre L 3X18W T8 M600 HSP	4039806417503	white	3x18	0.59	11.4	12.4	1x1
Siteco louvre L 4X18W T8 M600 HSP	4039806405753	white	4x18	0.59	12.7	14.5	1x1

All figures in mm

Product reference	Product number	COLOR	W	η_{LB}	UGR horizontal	UGR vertical	
Siteco louvre L T8 600 x 600 mm matt v-shape							
Siteco louvre L 3X18W T8 M600 RIBB	4039806015266	white	3x18	0.65	14.9	16.2	1x1
Siteco louvre L 4X18W T8 M600 RIBB	4039806015365	white	4x18	0.61	13.3	16.8	1x1

Siteco louvre L accessories

Product reference	Product number	COLOR	
Siteco louvre L accessories			
Siteco louvre L rapid mount. bracket, 18-33mm	4039806611345	galv. sheet steel	
Siteco louvre L rapid mount. bracket, 31-50mm	4039806611338	galv. sheet steel	

All figures in mm

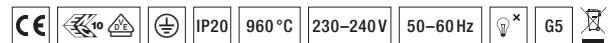
Product reference	Product number	COLOR	W	η_{LB}	UGR horizontal	UGR vertical	
Siteco louvre L T8 625 x 625 mm brilliant BAP							
Siteco louvre L 3X18W T8 M625 HSP	4039806001160	white	3x18	0.59	11.2	12.5	1x1
Siteco louvre L 4X18W T8 M625 HSP	4039806001207	white	4x18	0.59	11.2	13.2	1x1

All figures in mm

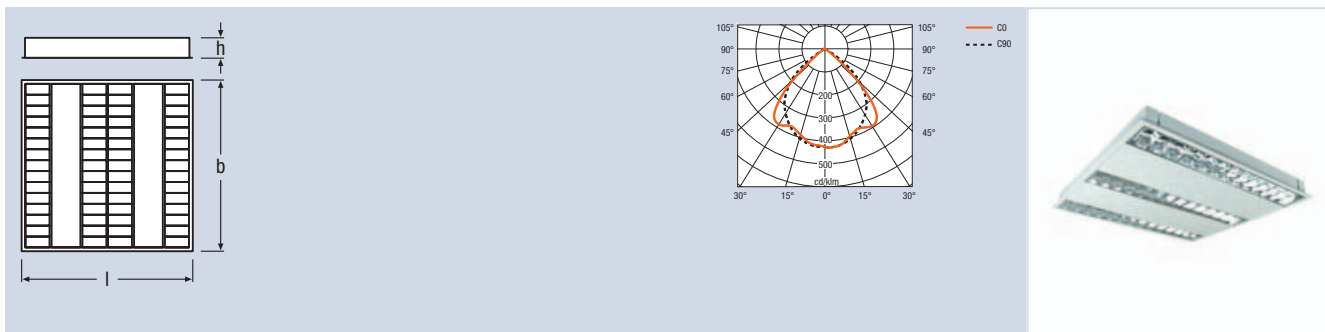
Product reference	Product number	COLOR	W	η_{LB}	UGR horizontal	UGR vertical	
Siteco louvre L T8 625 x 625 mm matt v-shape							
Siteco louvre L 3X18W T8 M625 RIBB	4039806001306	white	3x18	0.65	14.4	15.4	1x1
Siteco louvre L 4X18W T8 M625 RIBB	4039806001344	white	4x18	0.61	12.8	16.2	1x1

Features and benefits:

- For installation in suspended ceilings 625 x 625 mm
- Casing: painted steel, color similar to RAL 9010
- Electronic control gear for flicker-free light
- HSP versions suitable for computer screen workplaces according to EN 12464-1



OSRAM DEDRA plus® T5 double parabolic DALI®



Product reference	Product number	COLOR	W			K	η_{LB}	UGR	$\frac{l}{[mm]}$	$\frac{b}{[mm]}$	$\frac{h}{[mm]}$	
OSRAM DEDRA plus® T5 double parabolic DALI												
DEDRA T5 DPB KIT 3x14W/840 DALI	4008321 380852	white	3x14	yes	840	4000	0.82	14	596	596	57.5	1x1
DEDRA T5 DPB KIT 4x14W/840 DALI	4008321 380883	white	4x14	yes	840	4000	0.82	15	596	596	57.5	1x1
DEDRA T5 DPB KIT 4x14 W/830 DALI	4008321 533555	white	4x14	yes	830	3000	0.82	15	596	596	57.5	1x1
DEDRA T5 DPB 2x28W DALI	4008321 666147	white	2x28	no	–	–	0.69	17	1196	296	55	1x1

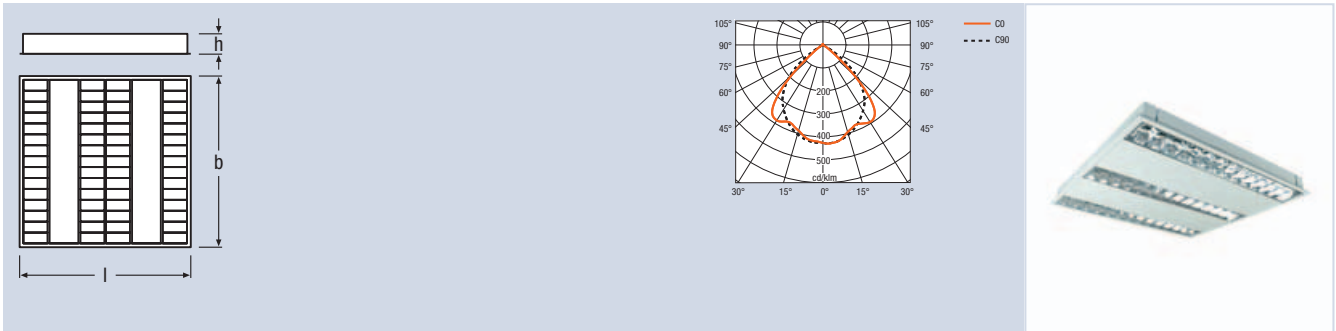
Features and benefits:

- For installation in suspended ceilings 600 x 600 or 300 x 1200 mm
- Casing of powder-coated steel in white (RAL 9016)
- Incl. safety cable (KIT versions)
- Peel-off film to protect the surfaces during installation
- Connection with 5-pin double plug terminal

- Very low luminance (< 200 cd/m² for 65°)
- Suitable for computer screen workplaces according to EN 12464-1
- With QUICKTRONIC® QT_i DALI® Electronic Control Gear



OSRAM DEDRA plus® T5 double parabolic



INDOOR

Product reference	Product number	COLOR	W			K	η_{LB}	UGR	$\frac{l}{[mm]}$	$\frac{b}{[mm]}$	$\frac{h}{[mm]}$	
OSRAM DEDRA plus® T5 double parabolic												
DEDRA T5 DPB KIT 3x14W/830	4008321366689	white	3x14	yes	830	3000	0.82	14	596	596	57.5	1x1
DEDRA T5 DPB KIT 3x14W/840	4008321366672	white	3x14	yes	840	4000	0.82	14	596	596	57.5	1x1
DEDRA T5 DPB KIT 4x14W/830	4008321366719	white	4x14	yes	830	3000	0.82	15	596	596	57.5	1x1
DEDRA T5 DPB KIT 4x14W/840	4008321366702	white	4x14	yes	840	4000	0.82	15	596	596	57.5	1x1
DEDRA T5 DPB 2x28W HF	4008321666154	white	2x28	no	—	—	0.69	17	1196	296	55	1x1

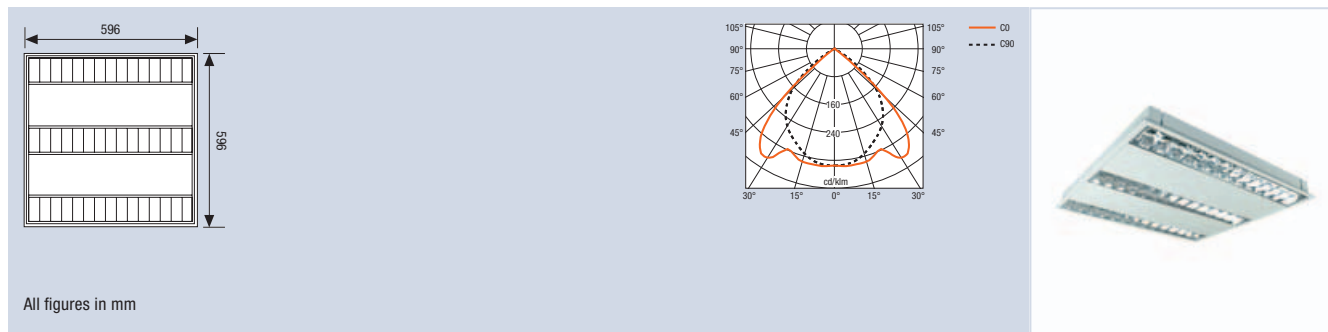
Features and benefits:

- For installation in suspended ceilings 600 x 600 or 300 x 1200 mm
- Casing of powder-coated steel in white (RAL 9016)
- Incl. safety cable (KIT versions)
- Peel-off film to protect the surfaces during installation
- Connection with 5-pin double plug terminal

- Very low luminance (<200 cd/m² for 65°)
- Suitable for computer screen workplaces according to EN 12464-1
- Integrated QUICKTRONIC® Electronic Control Gear



OSRAM DEDRA plus® T5 double parabolic eco



All figures in mm

Product reference	Product number	COLOR	W		K	UGR	h (mm)	
OSRAM DEDRA plus® T5 double parabolic eco								
DEDRA T5 DPB-C KIT 3x14W/840	4008321 366696	white	3x14	840	4000	14	57.5	1x1
DEDRA T5 DPB-C KIT 4x14W/840	4008321 366726	white	4x14	840	4000	15	57.5	1x1
DEDRA T5 DPB-C KIT 3x14W/840 WIELAND	4008321 380890	white	3x14	840	4000	14	57.5	1x1

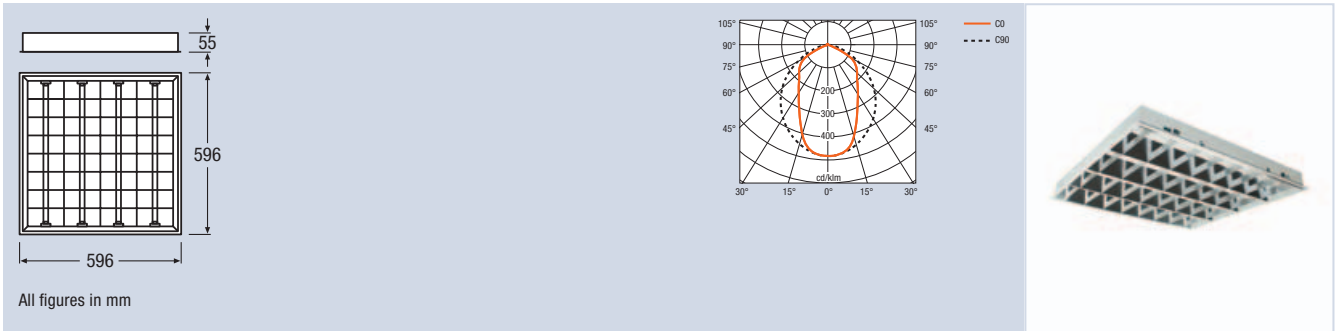
Features and benefits:

- For installation in suspended ceilings 600x600 mm
- Casing of powder-coated steel in white (RAL 9016) with safety cable
- Peel-off film to protect the surfaces during installation
- Connection with 5-pin double plug terminal
- Very low luminance (<200 cd/m² for 65°)

- Suitable for computer screen workplaces according to EN 12464-1
- Equipped with 3 or 4 LUMILUX® T5 14 W 840 HE lamps with an average life of 24000 hours
- Integrated QUICKTRONIC® Electronic Control Gear



OSRAM DEDRA plus® T5 v-shaped alu



All figures in mm

Product reference	Product number	COLOR	W		K	
OSRAM DEDRA plus® T5 v-shaped alu						
DEDRA T5 VABS KIT 4x14W/840	4008321380937	white	4x14	840	4000	1x1

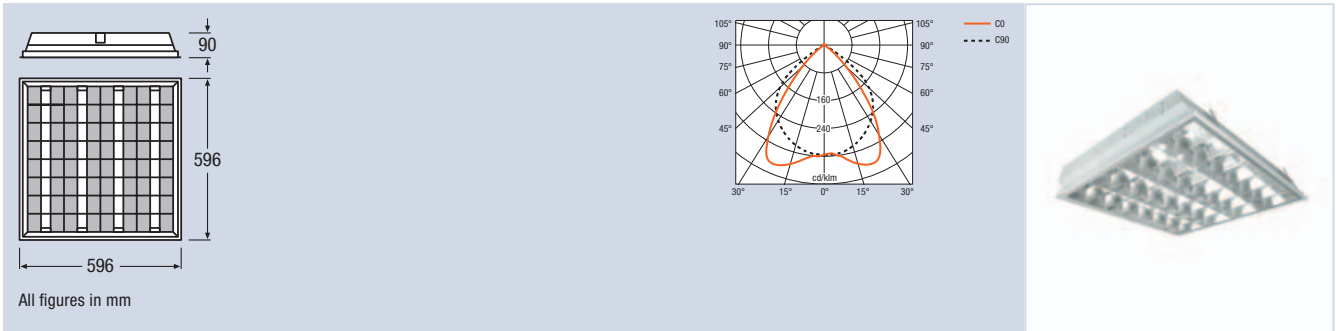
Features and benefits:

- For installation in suspended ceilings 600 x 600 mm
- Casing of powder-coated steel in white (RAL 9016) with safety cable
- Peel-off film to protect the surfaces during installation
- Connection with 3-pin double plug terminal
- Optics consisting of a symmetrical V reflector made of brilliant aluminum and a louver made of satinized aluminum

- Equipped with 4 LUMILUX® T5 14W 840 HE lamps with an average life of 24000 hours
- UGR 20 according to EN 12464-1
- Integrated QUICKTRONIC® Electronic Control Gear



OSRAM DEDRA plus® T8 double parabolic



All figures in mm

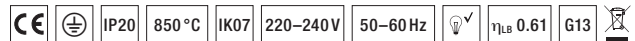
Product reference	Product number	COLOR	W		K	UGR	
OSRAM DEDRA plus® T8 double parabolic							
DEDRA T8 DPTB KIT 4x18W/840 DALI	4008321645913	white	4x18	840	4000	15	1x1
DEDRA T8 DPTB KIT 4x18W/830 HF	4008321526502	white	4x18	830	3000	15	1x1
DEDRA T8 DPTB KIT 4x18W/840 HF	4008321526496	white	4x18	840	4000	15	1x1

Features and benefits:

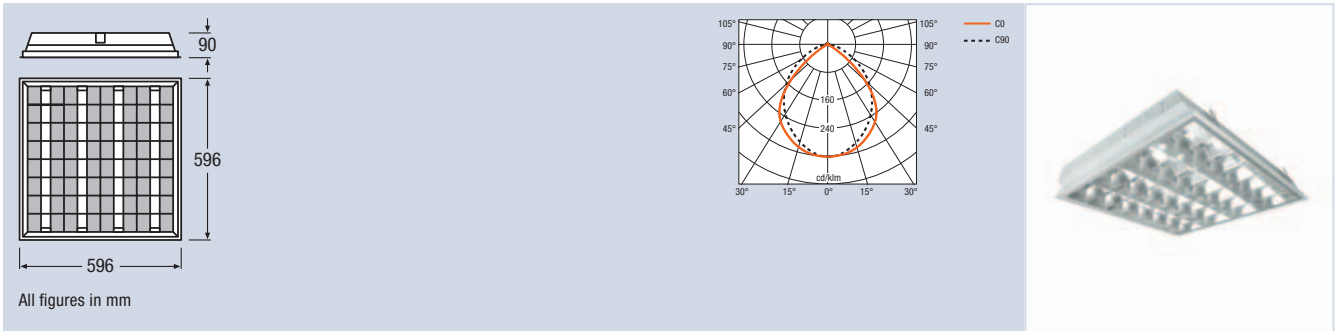
- For installation in suspended ceilings 600 x 600 mm
- Peel-off film to protect the surfaces during installation
- Casing of powder-coated steel in white (RAL 9016) with safety cable
- Connection with 3-pin double plug terminal or 5-pin for DALI®
- Double parabolic optics comprising a symmetrical

longitudinal reflector and a louver with a polished finish for low luminance (< 235 cd/m² for 65°)

- Equipped with 4 LUMILUX T8 18W lamps
- Integrated QT-FIT8 4x18W control gear (EEI = A2) or QT DALI® 4x18W control gear (0/50-60 Hz, EEI = A1)



OSRAM DEDRA plus® T8 v-shaped alu



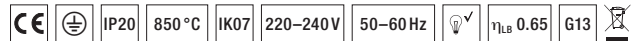
All figures in mm

Product reference	Product number	COLOR	W		K	
OSRAM DEDRA plus® T8 v-shaped alu						
DEDRA T8 VATS KIT 4x18W/830 HF	4008321526526	white	4x18	830	3000	1x1
DEDRA T8 VATS KIT 4x18W/840 HF	4008321526519	white	4x18	840	4000	1x1

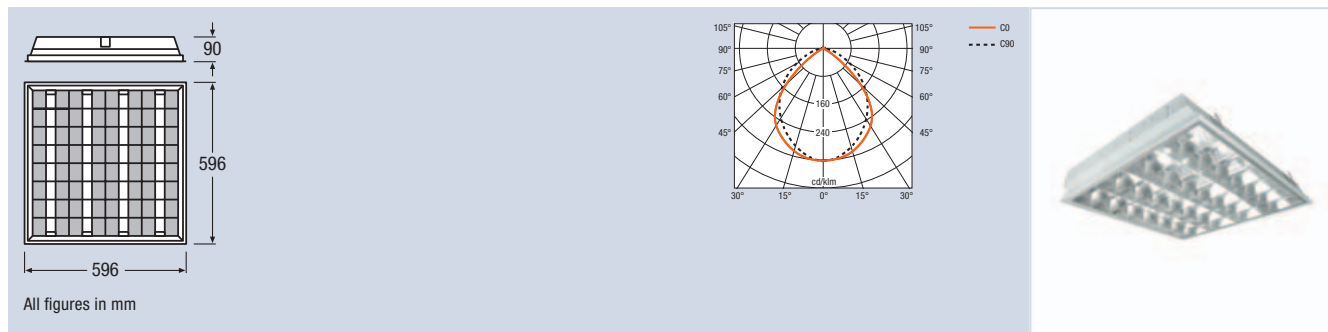
Features and benefits:

- For installation in suspended ceilings 600 x 600 mm
- Peel-off film to protect the surfaces during installation
- Casing of powder-coated steel in white (RAL 9016) with safety cable
- Connection with 3-pin double plug terminal
- Optics consisting of a symmetrical V reflector and a louver made of satinized aluminum

- UGR 19 according to EN 12464-1
- Equipped with 4 LUMILUX® T8 18 W lamps
- Integrated QT-FIT8 4x18W control gear (EEI = A2)



OSRAM DEDRA plus® T8 brilliant reflector, satinized lamellae



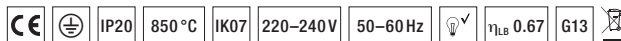
All figures in mm

Product reference	Product number	COLOR	W		K	
OSRAM DEDRA plus® T8 brilliant reflector, satinized lamellae						
DEDRA T8 VABS KIT 4x18W/830 HF	4008321526540	white	4x18	830	3000	1x1
DEDRA T8 VABS KIT 4x18W/840 HF	4008321526533	white	4x18	840	4000	1x1

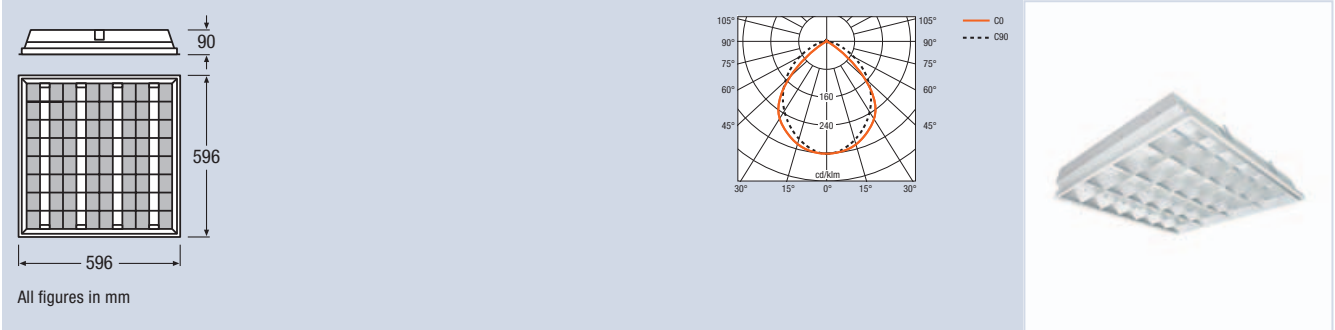
Features and benefits:

- For installation in suspended ceilings 600x600 mm
- Peel-off film to protect the surfaces during installation
- Casing of powder-coated steel in white (RAL 9016) with safety cable
- Connection with 3-pin double plug terminal
- Longitudinal v-shaped reflector make of shiny brilliant aluminum, transverse satinized aluminum strips

- UGR 19 according to EN 12464-1
- Equipped with 4 LUMILUX® T8 18 W lamps
- Integrated QT-FIT8 4x18W control gear (EEI = A2)



OSRAM DEDRA plus® T8 v-shaped white

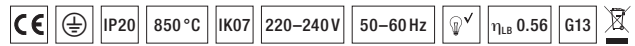


Product reference	Product number	COLOR	W		K	
OSRAM DEDRA plus® T8 v-shaped white						
DEDRA T8 VB KIT 4x18W/840 HF	4008321526557	white	4x18	840	4000	1x1

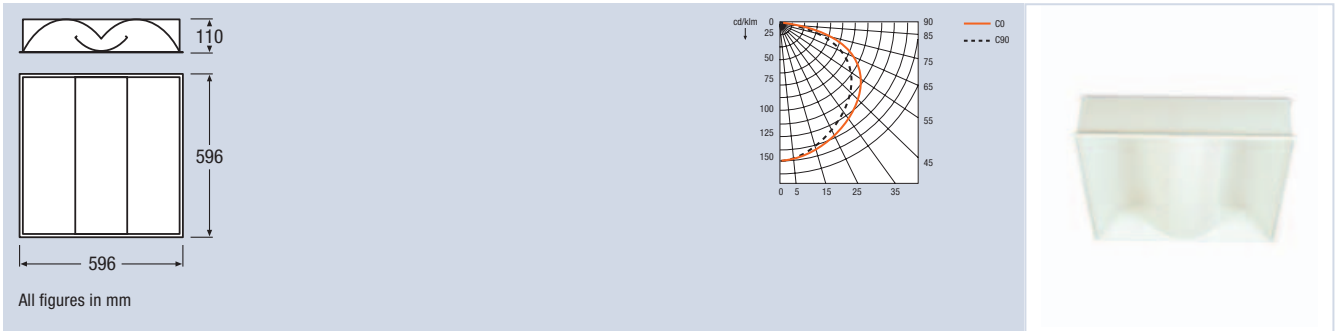
Features and benefits:

- For installation in suspended ceilings 600 x 600 mm
- Peel-off film to protect the surfaces during installation
- Casing of powder-coated steel in white (RAL 9016) with safety cable
- Connection with 3-pin double plug terminal

- Optics consisting of a symmetrical v-shaped reflector and a louver in white
- UGR 19 according to EN 12464-1
- Equipped with 4 LUMILUX® T8 18 W/840 lamps
- Integrated QT-FIT8 4x18W control gear (EEI = A2)



DELTA

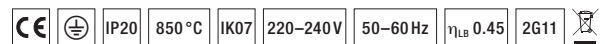


Product reference	Product number	COLOR	W			K		
DELTA								
DELTA 2x36W HF	4050300188850	white	2x36	no	—	—	no	1x1
DELTA 2x55W HF	4050300188867	white	2x55	no	—	—	no	1x1
DELTA 2x36W HF DIM	4050300188836	white	2x36	no	—	—	yes	1x1
DELTA 2x55W HF DIM	4050300188843	white	2x55	no	—	—	yes	1x1
DELTA KIT 2x36W/840 HF	4008321126504	white	2x36	yes	840	4000	no	1x1
DELTA KIT 2x55W/840 HF	4008321126924	white	2x55	yes	840	4000	no	1x1

DELTA is a recessed ceiling luminaire with integrated electronic control gear for compact fluorescent lamps for installation in suspended ceilings with a grid size of 600 x 600 mm. Because light is emitted indirectly, it is ideal for soft lighting in offices, retail outlets and conference rooms.

Features and benefits:

- For installation in suspended ceilings 600 x 600 mm
- Casing of white painted steel with safety cable
- White painted parabolic reflector
- Removable micro-perforated cover with opal film for particularly soft light
- Connection with 3-pin or 3-pin plus 2-pin double plug terminal at the back of the casing
- Suitable for 2 OSRAM DULUX® L 36 W or 55 W lamps
- Integrated electronic QUICKTRONIC (EEI = A2) or QT DIM (EEI = A1) control gear (dimmable for DIM versions)







Innovative, functional, timeless.

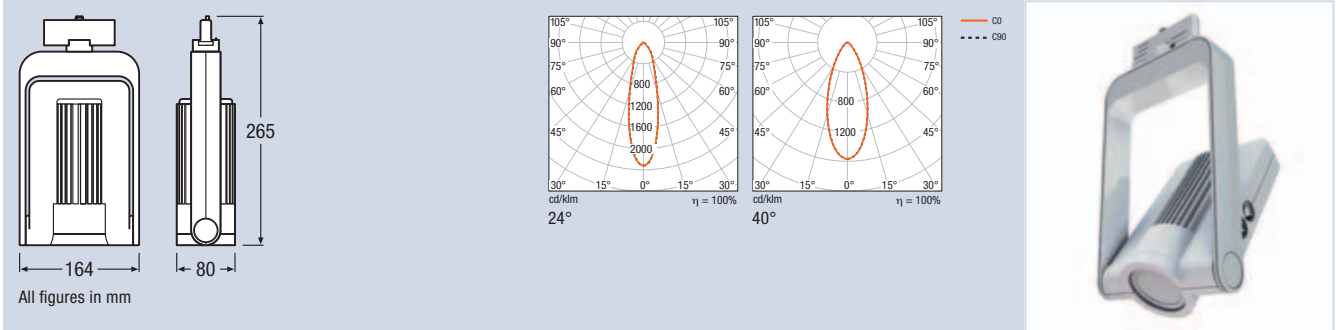
Whether you prefer modern and powerful or classic and compact, innovative spotlights from OSRAM combine high-quality manufacture with timeless design and maximum functionality. Spotlights are the best solution when directional light is needed: they provide precise accent lighting in a wide range of applications, particularly in shops and museums, where products and art objects have to be presented in their best light.

Spotlights

LEDVANCE® POWERSPOT XL, XXL	122
LEDVANCE® POWERSPOT M	123
LEDVANCE® SPOTLIGHT	124
KIT DOWNLIGHT HALOSPOT®-R111 ECO	125
MINISPOT Cube	126
MINISPOT Rhombus	127



LEDVANCE® POWERSPOT XL, XXL



Product reference

Product number

COLOR

W

K

lm

cd

lm/w

Ra

△°

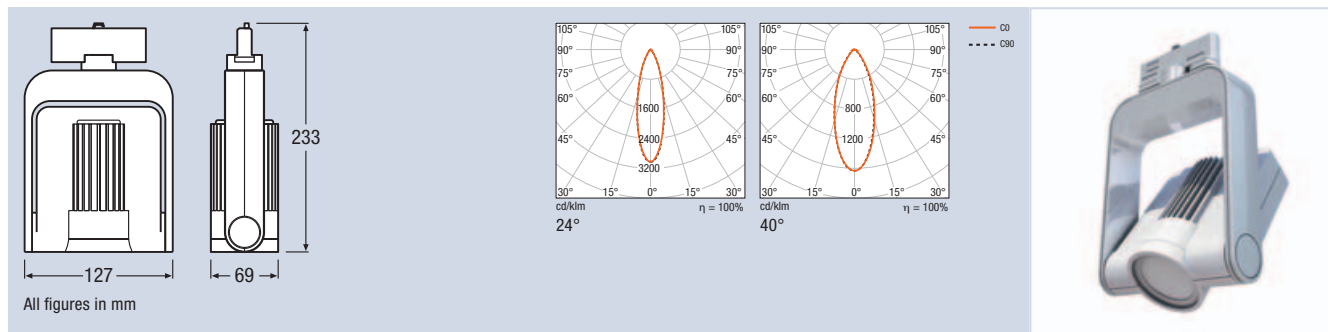
LEDVANCE® POWERSPOT XL

POWERSPOT XL 840 L24 WT	4008321647924	white	28	4000	1800	4300	62	> 85	24	4x1
POWERSPOT XL 840 L24 AL	4008321648006	aluminum	28	4000	1800	4300	62	> 85	24	4x1
POWERSPOT XL 840 L24 BK	4008321678836	black	28	4000	1800	4300	62	> 85	24	4x1
POWERSPOT XL 840 L40 WT	4008321981929	white	28	4000	1800	2600	62	> 85	40	4x1
POWERSPOT XL 840 L40 AL	4008321648020	aluminum	28	4000	1800	2600	62	> 85	40	4x1
POWERSPOT XL 840 L40 BK	4008321678850	black	28	4000	1800	2600	62	> 85	40	4x1
POWERSPOT XL 930 L24 WT	4008321647900	white	28	3000	1800	4300	62	> 90	24	4x1
POWERSPOT XL 930 L24 AL	4008321647962	aluminum	28	3000	1800	4300	62	> 90	24	4x1
POWERSPOT XL 930 L24 BK	4008321678799	black	28	3000	1800	4300	62	> 90	24	4x1
POWERSPOT XL 930 L40 WT	4008321981912	white	28	3000	1800	2600	62	> 90	40	4x1
POWERSPOT XL 930 L40 AL	4008321647986	aluminum	28	3000	1800	2600	62	> 90	40	4x1
POWERSPOT XL 930 L40 BK	4008321678812	black	28	3000	1800	2600	62	> 90	40	4x1

LEDVANCE® POWERSPOT XXL

POWERSPOT XXL 840 L24 WT	4008321648082	white	44	4000	2500	5800	57	> 85	24	4x1
POWERSPOT XXL 840 L24 AL	4008321648167	aluminum	44	4000	2500	5800	57	> 85	24	4x1
POWERSPOT XXL 840 L24 BK	4008321678911	black	44	4000	2500	5800	57	> 85	24	4x1
POWERSPOT XXL 840 L40 WT	4008321981943	white	44	4000	2500	3900	57	> 85	40	4x1
POWERSPOT XXL 840 L40 AL	4008321648181	aluminum	44	4000	2500	3900	57	> 85	40	4x1
POWERSPOT XXL 840 L40 BK	4008321678935	black	44	4000	2500	3900	57	> 85	40	4x1
POWERSPOT XXL 930 L24 WT	4008321648044	white	46	3000	2500	5800	55	> 90	24	4x1
POWERSPOT XXL 930 L24 AL	4008321648129	aluminum	46	3000	2500	5800	55	> 90	24	4x1
POWERSPOT XXL 930 L24 BK	4008321678874	black	46	3000	2500	5800	55	> 90	24	4x1
POWERSPOT XXL 930 L40 WT	4008321981936	white	46	3000	2500	3900	55	> 90	40	4x1
POWERSPOT XXL 930 L40 AL	4008321648143	aluminum	46	3000	2500	3900	55	> 90	40	4x1
POWERSPOT XXL 930 L40 BK	4008321678898	black	46	3000	2500	3900	55	> 90	40	4x1

LEDVANCE® POWERSPOT M



All figures in mm

INDOOR

Product reference	Product number	COLOR	W	K	lm	cd	lm/W	Ra	△°	
LEDVANCE® POWERSPOT M										
POWERSPOT M 840 L24 WT	4008321647740	white	11	4000	700	2100	64	> 85	24	4x1
POWERSPOT M 840 L24 AL	4008321647849	aluminum	11	4000	700	2100	64	> 85	24	4x1
POWERSPOT M 840 L24 BK	4008321678737	black	11	4000	700	2100	64	> 85	24	4x1
POWERSPOT M 840 L40 WT	4008321647788	white	11	4000	700	1150	64	> 85	40	4x1
POWERSPOT M 840 L40 AL	4008321647863	aluminum	11	4000	700	1150	64	> 85	40	4x1
POWERSPOT M 840 L40 BK	4008321678751	black	11	4000	700	1150	64	> 85	40	4x1
POWERSPOT M 930 L24 WT	4008321647672	white	11	3000	700	2100	64	> 90	24	4x1
POWERSPOT M 930 L24 AL	4008321647801	aluminum	11	3000	700	2100	64	> 90	24	4x1
POWERSPOT M 930 L24 BK	4008321678690	black	11	3000	700	2100	64	> 90	24	4x1
POWERSPOT M 930 L40 WT	4008321647726	white	11	3000	700	1150	64	> 90	40	4x1
POWERSPOT M 930 L40 AL	4008321647825	aluminum	11	3000	700	1150	64	> 90	40	4x1
POWERSPOT M 930 L40 BK	4008321678713	black	11	3000	700	1150	64	> 90	40	4x1

Product features:

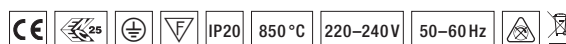
- Universal 3-phase track adapter
- Luminaire efficacy up to 64 lm/W
- Color rendering index up to $R_a > 90$
- Active color stabilization system
- Rotation: 350°, pivoting: $\pm 60^\circ$
- Luminaire color: signal white (RAL 9003) or white aluminium (RAL 9006)
- Color temperature: 3000K (warm white) or 4000K (neutral white)
- Beam angles: 24° and 40°
- Average life: 50000 h
- Type of protection: IP20
- 5-year guarantee

Product benefits:

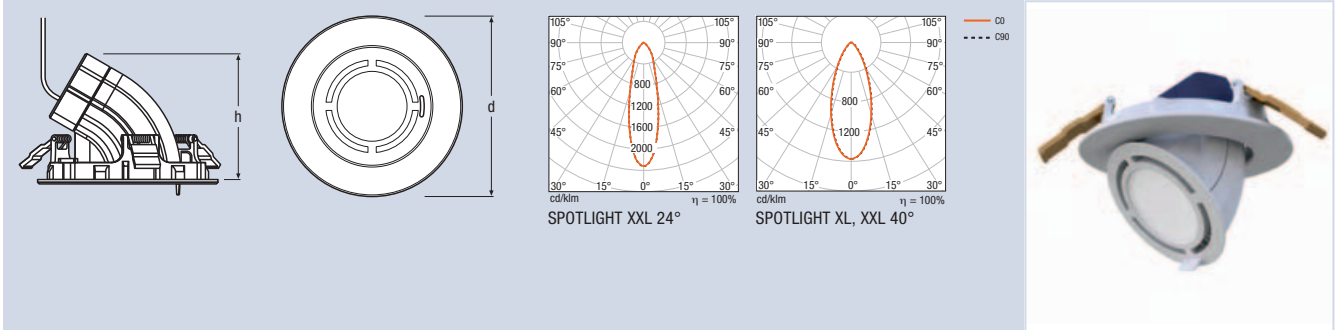
- State-of-the-art OSRAM PrevaLED® HD system for excellent illumination
- Awarded with the iF Design Award 2012
- Efficient replacement of HID systems
- High energy savings compared to halogen solutions
- High color rendering for the best product presentation
- Simple and fast connection thanks to universal 3-phase track adapter
- Maximum profitability due to the high luminaire efficacy
- Stable color temperature within the entire luminaire lifetime
- UV-/IR-free LED systems reduces UV-/IR-related bleaching
- Nearly maintenance-free within the luminaire lifetime
- Graphite black (RAL 9011) available upon request



For details and conditions, see www.osram.com/guarantee



LEDVANCE® SPOTLIGHT



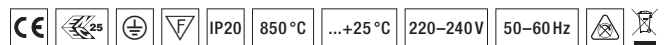
Product reference	Product number	COLOR	W	K	lm	cd	lm/W	R _a	h [mm]	d [mm]	°	Icons	
LEDVANCE® SPOTLIGHT XL													
SPOTLIGHT XL 840 L40 WT	4008321981905	white	29	4000	1800	2900	62	> 85	92	137	120	40	4x1
SPOTLIGHT XL 840 L40 AL	4008321649515	aluminum	29	4000	1800	2900	62	> 85	92	137	120	40	4x1
SPOTLIGHT XL 930 L40 WT	4008321981899	white	29	3000	1600	2600	55	> 90	92	137	120	40	4x1
SPOTLIGHT XL 930 L40 AL	4008321649478	aluminum	29	3000	1600	2600	55	> 90	92	137	120	40	4x1
LEDVANCE® SPOTLIGHT XXL													
SPOTLIGHT XXL 840 L24 WT	4008321743169	white	44	4000	2500	5800	57	> 85	114	156	140	24	4x1
SPOTLIGHT XXL 840 L24 AL	4008321743183	aluminum	44	4000	2500	5800	57	> 85	114	156	140	24	4x1
SPOTLIGHT XXL 840 L40 WT	4008321743244	white	44	4000	2500	3900	57	> 85	114	156	140	40	4x1
SPOTLIGHT XXL 840 L40 AL	4008321743220	aluminum	44	4000	2500	3900	57	> 85	114	156	140	40	4x1
SPOTLIGHT XXL 930 L24 WT	4008321743282	white	46	3000	2500	5800	55	> 90	114	156	140	24	4x1
SPOTLIGHT XXL 930 L24 AL	4008321743305	aluminum	46	3000	2500	5800	55	> 90	114	156	140	24	4x1
SPOTLIGHT XXL 930 L40 WT	4008321743343	white	46	3000	2500	3900	55	> 90	114	156	140	40	4x1
SPOTLIGHT XXL 930 L40 AL	4008321743367	aluminum	46	3000	2500	3900	55	> 90	114	156	140	40	4x1

Product features:

- Recessed ceiling mounting
- Luminous flux: 1800 lm (XL), 2500 lm (XXL)
- Luminaire efficacy up to 62 lm/W
- Color rendering index up to R_a > 90
- Active color stabilization system
- Rotation: 350°, tiltable: 60°
- Luminaire color: signal white (RAL 9003) or white aluminum (RAL 9006)
- Color temperature: 3000 K (warm white) or 4000 K (neutral white)
- Beam angles: 24° (XXL) and 40° (XL and XXL)
- Average life: 50000 h
- Type of protection: IP20
- 5-year guarantee

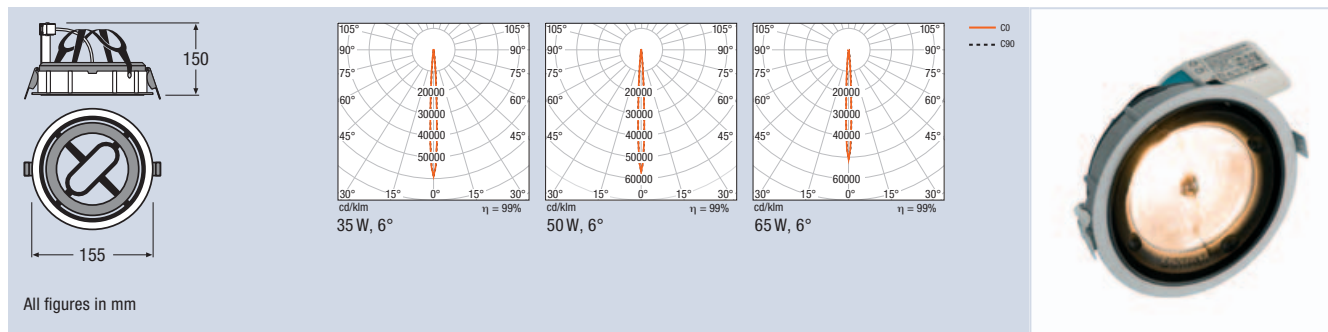
Product benefits:

- State-of-the-art OSRAM PrevaLED® HD system for excellent illumination
- Efficient replacement of HID systems
- High energy savings compared to halogen solutions
- High color rendering for the best product presentation
- Fast ceiling integration thanks to easy installation system
- Maximum profitability due to the high luminaire efficacy
- Stable color temperature within the entire luminaire lifetime
- UV-/IR-free LED systems reduces UV-/IR-related bleaching
- Nearly maintenance-free within the luminaire lifetime
- DALI® dimmability upon request



For details and conditions, see www.osram.com/guarantee

KIT DOWNLIGHT HALOSPOT®-R111 ECO



All figures in mm

Product reference	Product number	Ordering number	COLOR	W	Beam angle	K	cd	Beam diameter [mm]	Quantity
KIT DOWNLIGHT HALOSPOT®-R111 ECO									
KIT DOWNLIGHT HALOSPOT 111 ES white 35W, 6°	4008321330734	76085-21	white	35	6	3000	22500	146–150	2x1
KIT DOWNLIGHT HALOSPOT 111 ES white 35W, 24°	4008321335920	76085-22	white	35	24	3000	4500	146–150	2x1
KIT DOWNLIGHT HALOSPOT 111 ES white 50W, 6°	4008321335944	76085-23	white	50	6	3000	33000	146–150	2x1
KIT DOWNLIGHT HALOSPOT 111 ES white 50W, 24°	4008321335968	76085-24	white	50	24	3000	5800	146–150	2x1
KIT DOWNLIGHT HALOSPOT 111 ES white 50W, 45°	4008321335982	76085-25	white	50	45	3000	2000	146–150	2x1
KIT DOWNLIGHT HALOSPOT 111 ES white 65W, 6°	4008321336002	76085-26	white	65	6	3000	45000	146–150	2x1
KIT DOWNLIGHT HALOSPOT 111 ES white 65W, 24°	4008321336026	76085-27	white	65	24	3000	8500	146–150	2x1
KIT DOWNLIGHT HALOSPOT 111 ES white 65W, 45°	4008321336040	76085-28	white	65	45	3000	2800	146–150	2x1
KIT DOWNLIGHT HALOSPOT 111 ES silver 35W, 6°	4008321330758	76086-21	silver	35	6	3000	22500	146–150	2x1
KIT DOWNLIGHT HALOSPOT 111 ES silver 35W, 24°	4008321336064	76086-22	silver	35	24	3000	4500	146–150	2x1
KIT DOWNLIGHT HALOSPOT 111 ES silver 50W, 6°	4008321336088	76086-23	silver	50	6	3000	33000	146–150	2x1
KIT DOWNLIGHT HALOSPOT 111 ES silver 50W, 24°	4008321336101	76086-24	silver	50	24	3000	5800	146–150	2x1
KIT DOWNLIGHT HALOSPOT 111 ES silver 50W, 45°	4008321336125	76086-25	silver	50	45	3000	2000	146–150	2x1
KIT DOWNLIGHT HALOSPOT 111 ES silver 65W, 6°	4008321336149	76086-26	silver	65	6	3000	45000	146–150	2x1
KIT DOWNLIGHT HALOSPOT 111 ES silver 65W, 24°	4008321336163	76086-27	silver	65	24	3000	8500	146–150	2x1
KIT DOWNLIGHT HALOSPOT 111 ES silver 65W, 45°	4008321336187	76086-28	silver	65	45	3000	2800	146–150	2x1

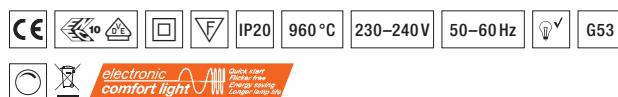
KIT DOWNLIGHT HALOSPOT®-R111 ECO is a set that is ready for installation and consists of a downlight with a cardan joint, an electronic transformer and a halogen reflector lamp. It is ideal for economical lighting in retail outlets, foyers and museums.



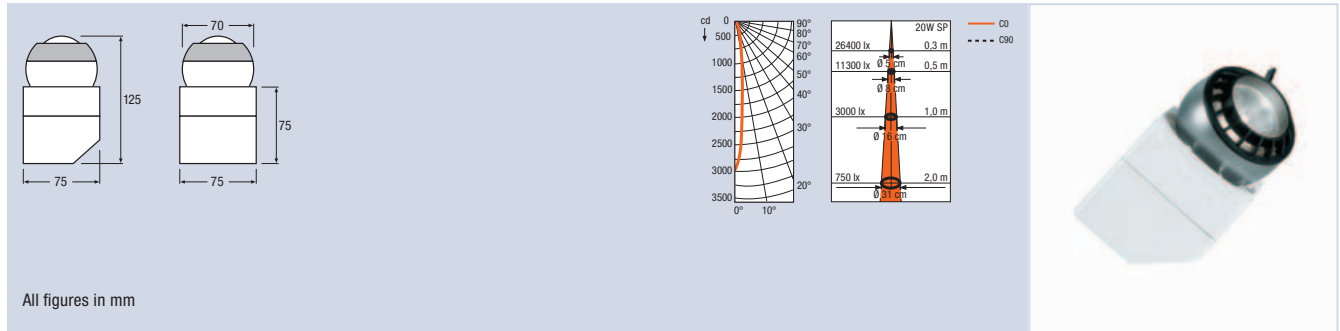
For details and conditions, see www.osram.com/guarantee

Features and benefits:


- High-quality aluminum casing in two versions: white and silver
- Equipped with HALOSPOT®-R111 ECO 35 W, 50 W or 65 W in light color 3000 K
- Beam angles of 6°, 24° and 45°
- HALOTRONIC® MOUSE electronic transformer
- Dimmable
- Delivery 3 weeks after ordering



MINISPOT Cube



All figures in mm

Product reference	Product number	Ordering number	COLOR	W	K	
MINISPOT Cube						
MINISPOT Cube WT	4050300001852	41601 WT	white	20	3000	4x1
MINISPOT Cube BK	4050300001869	41601 BK	black	20	3000	4x1

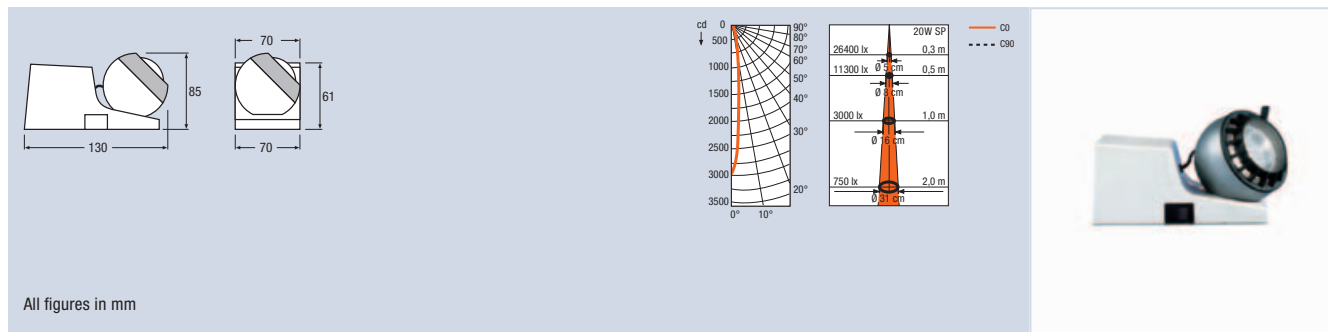
MINISPOT Cube is a classic among compact halogen luminaires. The head is held in place by magnets and can be adjusted to any angle. When the head is removed from the magnets, the lamp goes out.

Features and benefits:


- Particularly compact halogen luminaire
- Stainless steel head held in place with magnets and adjustable to any angle
- Ready to install with 2 m of cable and plug
- Profile included for attaching to walls and ceilings
- With cubic base
- Switch integrated in the power cable
- Equipped with DECOSTAR® 51S ECO halogen lamp



MINISPOT Rhombus



All figures in mm

Product reference	Product number	Ordering number	COLOR	W	K	
MINISPOT Rhombus						
MINISPOT Rhombus WT	4050300001876	41701 WT	white	20	3000	4x1
MINISPOT Rhombus BK	4050300001883	41701 BK	black	20	3000	4x1

MINISPOT Rhombus is a classic among compact halogen luminaires. The head is held in place by magnets and can be adjusted to any angle. When the head is removed from the magnets, the lamp goes out.

Features and benefits:

- Particularly compact halogen luminaire
- Stainless steel head held in place with magnets and adjustable to any angle
- Ready to install with 2 m of cable and plug
- Mounting plate included
- With long base
- Switch in the luminaire
- Equipped with DECOSTAR® 51S ECO halogen lamp





Comprehensive, variable, individual.

Downlights are all-rounders and specialists at the same time. They are designed to fulfill complex photometric tasks and to provide unique shapes and forms, which allow for a harmonious and integral interior design. Thanks to different accessories as well as various lamp types, wattages and design approaches, downlights open up virtually unlimited opportunities for lighting design.

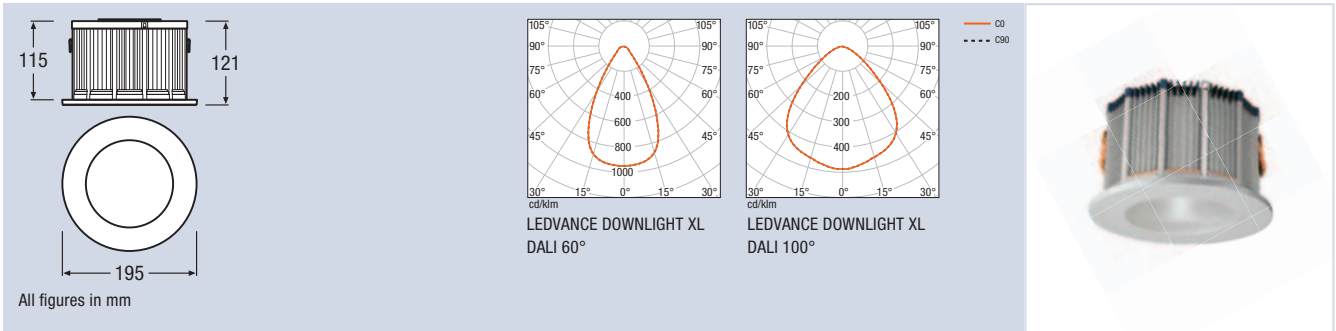
Downlights

LEDVANCE® DOWNLIGHT XL DALI®	130
LEDVANCE® DOWNLIGHT XL	131
LEDVANCE® DOWNLIGHT L DALI®	132
LEDVANCE® DOWNLIGHT L	133
LEDVANCE® DOWNLIGHT M	134
QOD® S, M, L	135
TRESOL® 10W	136
LED TRESOL® 4.5W	137
KIT LED PRO	138
KIT LED CLASSIC	139
KIT HALO PRO and PRO HYDRO	140
KIT HALO CLASSIC	141
KIT DOWNLIGHT HQI®-TS EXCELLENCE	142
JADE® KIT ECO II	144



DOWNLIGHTS

LEDVANCE® DOWNLIGHT XL DALI®



Product reference

Product number

COLOR



lm

cd

W

lm/W

K



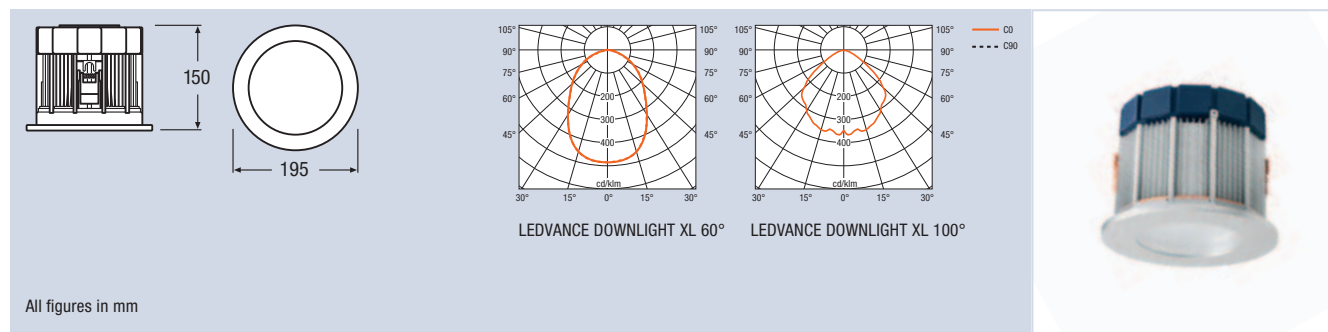
LEDVANCE® DOWNLIGHT XL DALI®

Product reference	Product number	COLOR	lm	cd	W	lm/W	K	Packaging		
LEDVANCE DOWNLIGHT XL 930 L60 WT DALI	4008321968869	white	930	60	1700	1618	28	61 ¹⁾	3000	4x1
LEDVANCE DOWNLIGHT XL 930 L100 WT DALI	4008321968876	white	930	100	1700	833	28	61 ¹⁾	3000	4x1
LEDVANCE DOWNLIGHT XL 840 L60 WT DALI	4008321968883	white	840	60	1700	1618	28	61 ¹⁾	4000	4x1
LEDVANCE DOWNLIGHT XL 840 L100 WT DALI	4008321968890	white	840	100	1700	833	28	61 ¹⁾	4000	4x1

1) Approximated values



LEDVANCE® DOWNLIGHT XL



All figures in mm

Product reference	Product number	COLOR			lm	cd	W	lm/W	K	
LEDVANCE® DOWNLIGHT XL										
LEDVANCE DOWNLIGHT XL 830 L60 WT	4008321968821	white	830	60	1600	1488	32	50	3000	4x1
LEDVANCE DOWNLIGHT XL 830 L100 WT	4008321968838	white	830	100	1600	552	32	50	3000	4x1
LEDVANCE DOWNLIGHT XL 840 L60 WT	4008321968845	white	840	60	1600	1488	32	50	4000	4x1
LEDVANCE DOWNLIGHT XL 840 L100 WT	4008321968852	white	840	100	1600	552	32	50	4000	4x1

LEDVANCE® DOWNLIGHT XL is a recessed LED ceiling luminaire with compact dimensions and excellent photometric properties. With its opaque diffuser and sleek ring design (white or aluminum), it blends discreetly in the ceiling reflector. LEDVANCE® DOWNLIGHT XL is part of the uniformly styled LEDVANCE® DOWNLIGHT product family which performs various classic general illumination tasks with the latest LED technology; also available in a dimmable version.

Features and benefits:

- Energy-saving recessed luminaire
- Compatible with standard suspended ceilings
- Sustainable product with an excellent energy balance
- Elegant design with opaque diffuser
- Direct connection to an 220–240V AC supply
- Replacement for 2x18W/2x26W CFL downlight applications
- Mounting diameter 175 mm
- Average life 50000 hours
- Ring colors in white matt or anodized aluminum
- Accessories: decorative ring in anodized aluminum
- Color temperatures warm white (3000 K) and neutral white (4000 K)



For details and conditions, see www.osram.com/guarantee

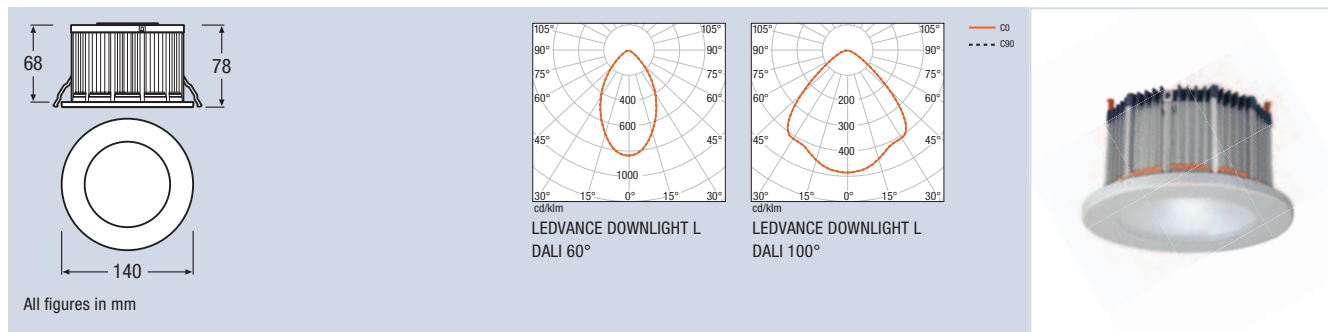


LEDVANCE® DOWNLIGHT XL accessory

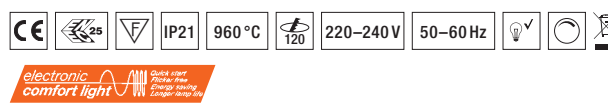
Product reference	Product number	COLOR			
LEDVANCE® DOWNLIGHT XL accessory					
LEDVANCE DOWNLIGHT XL RING AL	4008321968906	aluminum	6	195	4x1

DOWNLIGHTS

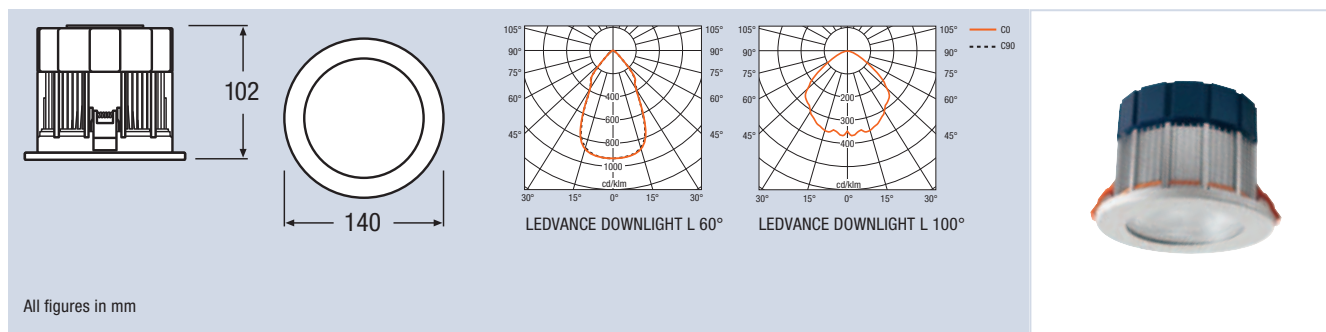
LEDVANCE® DOWNLIGHT L DALI®



Product reference	Product number	COLOR			lm	cd	W	lm/W	K	
LEDVANCE® DOWNLIGHT L DALI®										
LEDVANCE DOWNLIGHT L WT 930 L60 DALI	4008321981592	white	930	60	1200	1006	20	60	3000	4x1
LEDVANCE DOWNLIGHT L WT 930 L100 DALI	4008321981608	white	930	100	1200	584	20	60	3000	4x1
LEDVANCE DOWNLIGHT L WT 840 L60 DALI	4008321981615	white	840	60	1200	1006	20	60	4000	4x1
LEDVANCE DOWNLIGHT L WT 840 L100 DALI	4008321981622	white	840	100	1200	584	20	60	4000	4x1



LEDVANCE® DOWNLIGHT L



All figures in mm

INDOOR

Product reference	Product number	COLOR			lm	cd	W	lm/W	K		
LEDVANCE® DOWNLIGHT L											
LEDVANCE DOWNLIGHT L 830 L60 WT	4008321968753	white		830	60	1000	930	20	50	3000	4x1
LEDVANCE DOWNLIGHT L 830 L100 WT	4008321968760	white		830	100	1000	345	20	50	3000	4x1
LEDVANCE DOWNLIGHT L 840 L60 WT	4008321968777	white		840	60	1000	930	20	50	4000	4x1
LEDVANCE DOWNLIGHT L 840 L100 WT	4008321968784	white		840	100	1000	345	20	50	4000	4x1
LEDVANCE DOWNLIGHT L WT 830 L60 DIM	4008321981554	white		930	60	1000	930	21	48 ¹⁾	3000	4x1
LEDVANCE DOWNLIGHT L WT 830 L100 DIM	4008321981561	white		930	100	1000	345	21	48 ¹⁾	3000	4x1
LEDVANCE DOWNLIGHT L WT 840 L60 DIM	4008321981578	white		840	60	1000	930	21	48 ¹⁾	4000	4x1
LEDVANCE DOWNLIGHT L WT 840 L100 DIM	4008321981585	white		840	100	1000	345	21	48 ¹⁾	4000	4x1

1) Approximated values

LEDVANCE® DOWNLIGHT L is a recessed LED ceiling luminaire with compact dimensions and excellent photometric properties. With its opaque diffuser and sleek ring design (white or anodized aluminum), it blends discreetly into the ceiling reflector. The small mounting depth brings benefits in planning and installation. LEDVANCE® DOWNLIGHT L is the energy-efficient and durable alternative to compact fluorescent and halogen downlights. Also available in a dimmable version.

Features and benefits:

- Energy-saving recessed luminaire
- Compact downlight and compatibility with standard suspended ceilings
- Sustainable product with an excellent energy balance
- Elegant design with opaque diffuser
- Direct connection to 220–240V
- Replacement for 1x18W/1x26W CFL downlight applications
- Mounting diameter 120 mm
- Average life 50000 h
- Ring colors in white matt or anodized aluminum
- Accessories: decorative ring in anodized aluminum
- Color temperatures warm white (3000 K) and neutral white (4000 K)



For details and conditions, see www.osram.com/guarantee

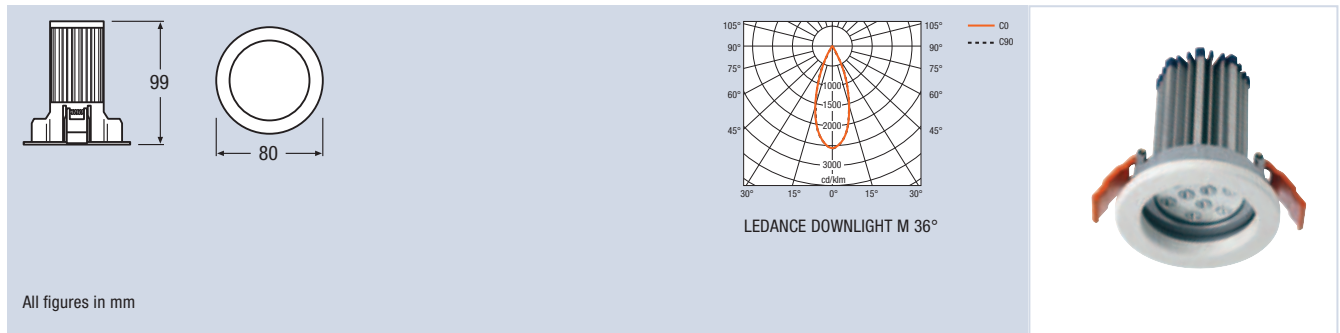


LEDVANCE® DOWNLIGHT L accessory

Product reference	Product number	COLOR	h [mm]	d [mm]	
LEDVANCE® DOWNLIGHT L accessory					
LEDVANCE DOWNLIGHT L RING AL	4008321968791	aluminum	10	140	4x1

DOWNLIGHTS

LEDVANCE® DOWNLIGHT M



All figures in mm

Product reference	Product number	COLOR		lm	cd	W	lm/W	K		
LEDVANCE® DOWNLIGHT M										
LEDVANCE DOWNLIGHT M 830 L36 WT	4008321 968678	white		830	700	1793	13.5	52 ¹⁾	3000	4x1
LEDVANCE DOWNLIGHT M 840 L36 WT	4008321 968692	white		840	700	1793	13.5	52 ¹⁾	4000	4x1
LEDVANCE DOWNLIGHT M 830 L36 WT DIM	4008321 968715	white		830	680	1741	14	48 ¹⁾	3000	4x1
LEDVANCE DOWNLIGHT M 840 L36 WT DIM	4008321 968739	white		840	680	1741	14	48 ¹⁾	4000	4x1

1) Approximated values

LEDVANCE® DOWNLIGHT M is a recessed LED ceiling luminaire with compact dimensions and excellent photometric properties. LEDVANCE® DOWNLIGHT M is the energy-efficient and durable alternative to classic MR16 downlight applications. Highly convenient with adjustable head ($\pm 20^\circ$) and 36° beam angle; also available in a dimmable version.



For details and conditions, see www.osram.com/guarantee

Features and benefits:

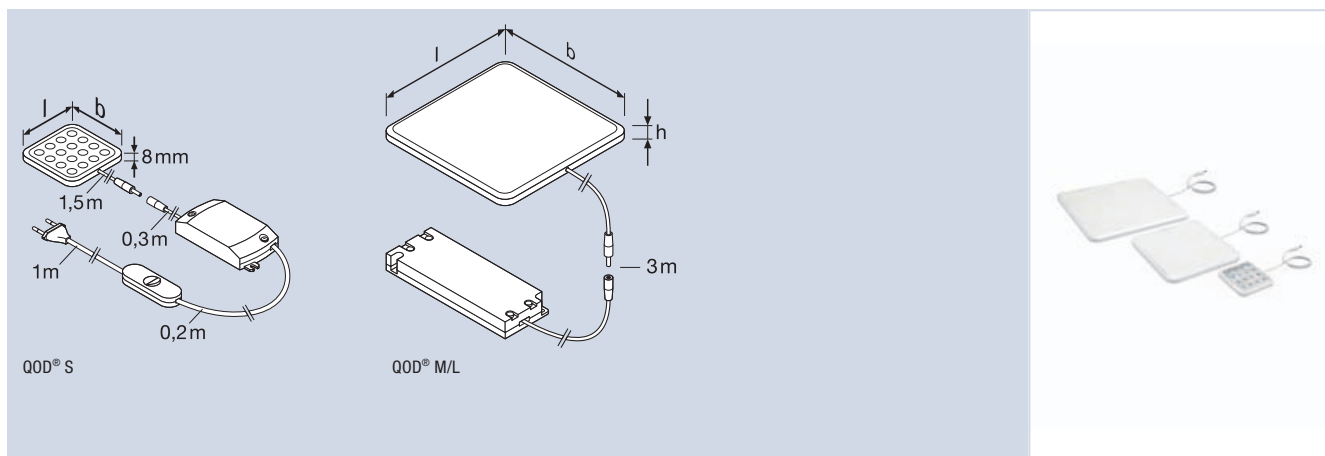
- Energy-saving recessed luminaire equipped with OSOLON® LED from OSRAM
- Sustainable product with an excellent energy balance
- Adjustable head ($\pm 20^\circ$)
- Beam angle 36°
- External control gear included (cabled on the secondary side)
- Can be used as replacements for 50 W low-voltage halogen applications
- Mounting diameter 68 mm
- Average life 50000 h
- Ring colors in white matt or anodized aluminum
- Color temperatures warm white (3000 K) and neutral white (4000 K)



LEDVANCE® DOWNLIGHT M accessory

Product reference	Product number	COLOR	h [mm]	d [mm]	
LEDVANCE® DOWNLIGHT M accessory					
LEDVANCE DOWNLIGHT M RING AL	4008321 968746	aluminum	8	80	4x1

QOD® S, M, L



Product reference	Product number	COLOR	t [h]	W	K	V	lm	l [mm]	b [mm]	h [mm]	°	Icons
QOD® S, M, L												
QOD S	4008321971975	white	30000	3.5	3050	220-240	150	70	70	8	45	6x1
QOD M	4008321974921	white	30000	13	3050	220-240	420	155	155	11	89	4x1
QOD L	4008321974952	white	30000	28	3050	220-240	900	220	220	11	86	4x1
QOD EXTENSION CABLE 1.5 m	4008321972842	white	-	-	-	12	-	1500	-	-	-	6x1

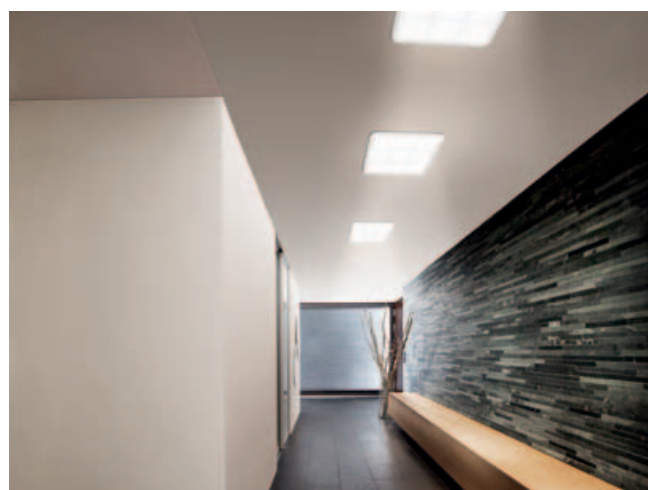
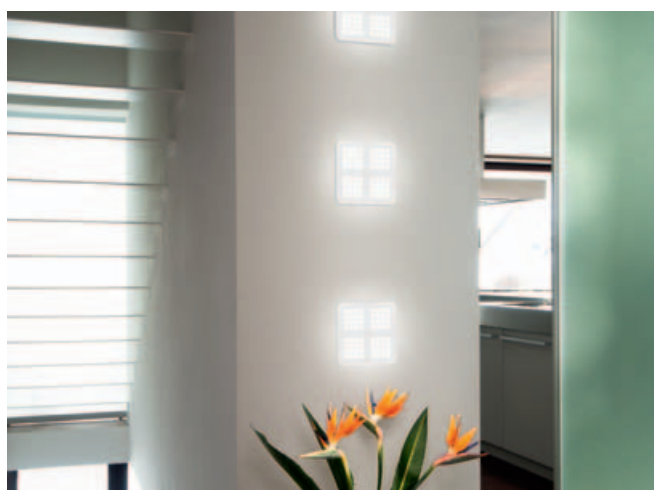
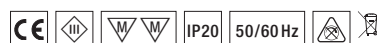
QOD® S – thanks to compact design and on/off switch, designed to be a wardrobe lamp or under-cabinet and shelf lighting.

QOD® M – can be used virtually anywhere as an accentuating wall and ceiling luminaire.

QOD® L – also usable as a downlight where there is insufficient space for conventional luminaires.

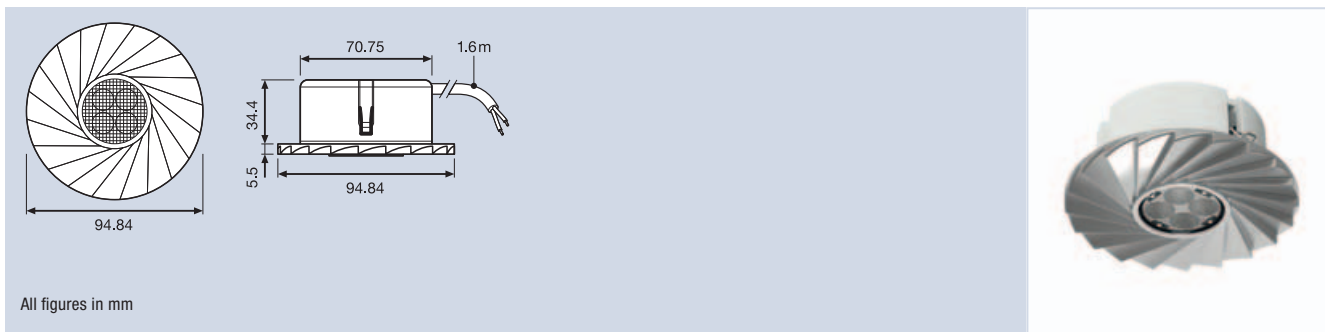
Features and benefits:

- Super flat
- Energy saving through LED technology
- Brilliant warm-white light output
- Plug & Light (QOD® S)
- Mountable on nearly any surface and has various mounting possibilities (adhesive tape; screws)



DOWNLIGHTS

TRESOL® 10W



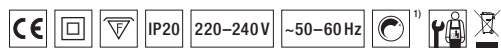
All figures in mm

Product reference	Product number	COLOR	t[h]	W	lm	K	°	Icons
TRESOL® 10W								
TRESOL 10W	4008321984159	silver	25000	10	385	3000	35	4x1

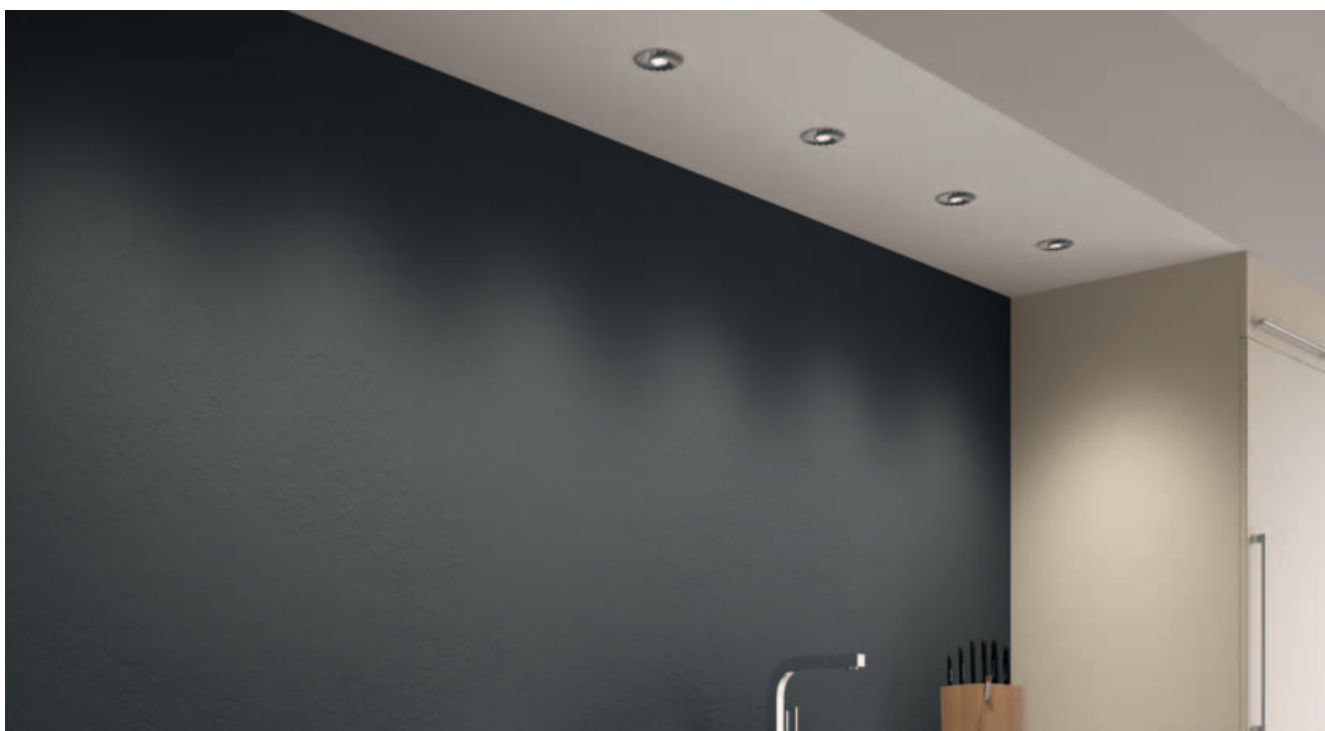
The high-power LED downlight TRESOL® 10W is made of high-quality material. The low installation depth is ideal for suspended ceilings. LED driver is included in the luminaire body.

Features and benefits:

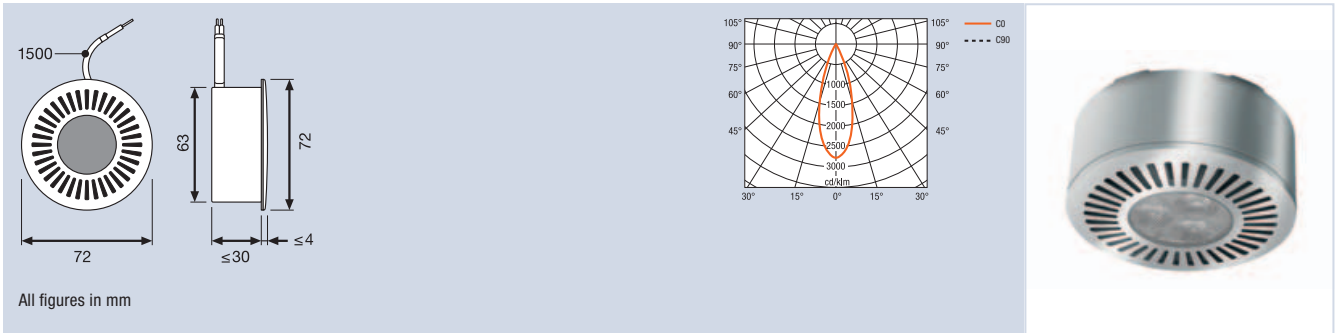
- Dimmable¹⁾
- Low installation depth
- Aluminum heat sink
- Driver included



1) www.osram.com/luminaires



LED TRESOL® 4.5W



All figures in mm

Product reference	Product number	COLOR	t [h]	W	lm	K	°	Icons
LED TRESOL® 4.5W								
LED TRESOL 1x4.5W	4008321587220	silver/matt	25000	4.5	165	3200	30	6x1
LED TRESOL 2x4.5W	4008321587244	silver/matt	25000	2x4.5	2x165	3200	30	6x2
LED TRESOL Add-on	4008321980014	silver/matt	-	-	-	-	-	6x1
LED TRESOL 4.5W WT	4008321989369	white	25000	4.5	165	3200	30	6x1
LED TRESOL 2x4.5W WT	4008321990129	white	25000	2x4.5	2x165	3200	30	6x2
LED TRESOL Add-on WT	4008321989345	white	-	-	-	-	-	6x1

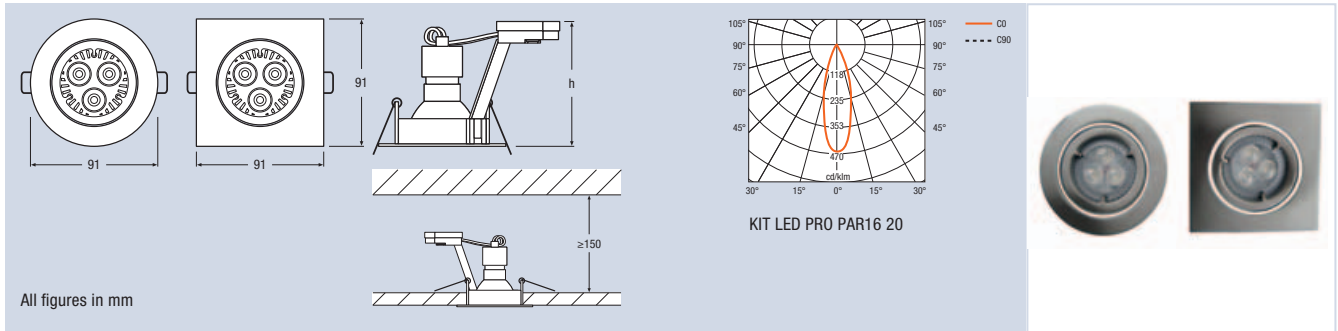
Features and benefits:

- High-power LED downlight with integrated control gear
- 2-in-1 design: recessed mounting or surface mounting with add-on kit
- Available in silver and white




DOWNLIGHTS

KIT LED PRO



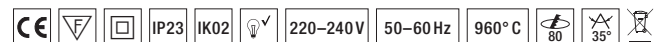
All figures in mm

Product reference	Product number	COLOR	cd	W	K	h [mm]	
KIT LED PRO							
KIT LED PRO R BR NI PAR16 20 6X1	4008321963284	brushed nickel	460	4.5	3000	90	6x1
KIT LED PRO S BR NI PAR16 20 6X1	4008321963291	brushed nickel	460	4.5	3000	90	6x1
KIT LED PRO R BR NI PAR16 35 6X1	4008321982049	brushed nickel	600	7.5	3000	117	6x1
KIT LED PRO S BR NI PAR16 35 6X1	4008321982056	brushed nickel	600	7.5	3000	117	6x1
KIT LED PRO R WT PAR16 35 6X1	4008321982063	white	600	7.5	3000	117	6x1
KIT LED PRO S WT PAR16 35 6X1	4008321982070	white	600	7.5	3000	117	6x1
KIT LED PRO R BR NI PAR16 50 6X1	4008321982087	brushed nickel	950	9.5	3000	117	6x1
KIT LED PRO R WT PAR16 50 6X1	4008321982148	white	950	9.5	3000	117	6x1

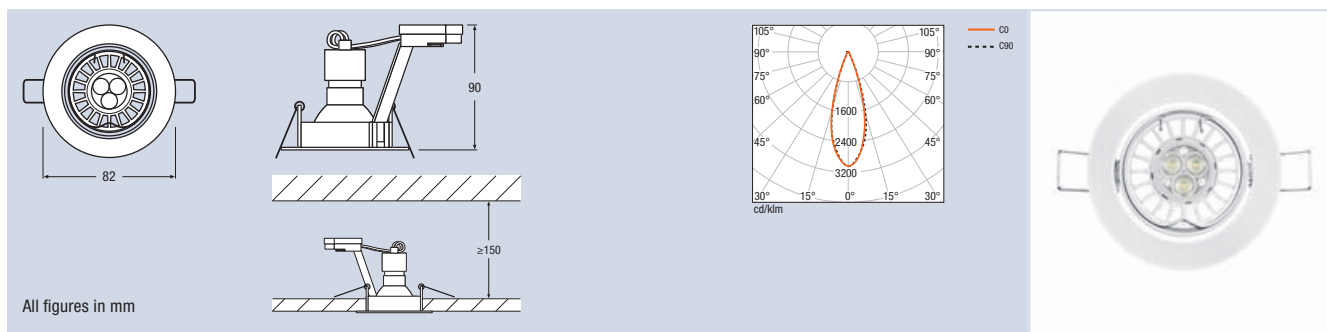
KIT LED PRO is a set that is ready for installation and consists of a downlight with connecting terminal and a PARATHOM® PAR16 LED in different versions (square/round/white/brushed nickel). It is ideal for constant economical lighting in retail outlets, hotels and restaurants.

Features and benefits:

- Die-cast aluminum casing in: square (S) and round (R)
- Luminaire color: brushed nickel look and white
- Simple installation and maintenance thanks to the Twist & Lock interlock for the lamp
- Lamp swivels through 40°
- Operating temperature -15 °C to +40 °C
- Mounting diameter 80 mm
- Direct connection to 220–240V
- Equipped with PARATHOM® PAR16 LED lamp
- Color temperature warm white (3000 K)
- Beam angle 35°
- Dimmable (PAR16 35 and PAR16 50)



KIT LED CLASSIC



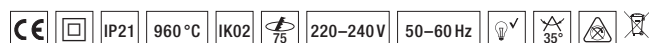
All figures in mm

Product reference	Product number	COLOR	cd	W	K	
KIT LED CLASSIC						
KIT LED CLASSIC R WT PAR16 35	4008321664990	white	600	5	3000	6x1

KIT LED CLASSIC is a cost-effective set that is ready for installation and consists of a downlight with connecting terminal and a PARATHOM® PAR16 LED lamp. It is ideal for illuminating shop windows, retail outlets and corridors.

Features and benefits:

- Round die-cast aluminum casing in white (RAL 9016)
- Simple installation and maintenance thanks to clip fastening
- Lamp swivels through 40°
- Mounting diameter 75 mm
- Direct connection to 220–240V
- Equipped with PARATHOM® PAR16 LED lamp
- Color temperature warm white (3000 K)
- Beam angle of 35°



KIT HALO PRO and PRO HYDRO

All figures in mm

Product reference	Product number	COLOR	cd	W	K	
KIT HALO PRO R and PRO HYDRO R						
KIT HALO PRO R 1x35W White	4008321 398628	white	2200	35	3000	6x1
KIT HALO PRO R 1x35W Brushed Nickel	4008321 398642	brushed nickel	2200	35	3000	6x1
KIT HALO PRO HYDRO R 1x35W White	4008321 399045	white	2200	35	3000	6x1
KIT HALO PRO HYDRO R 1x35W Brushed Nickel	4008321 399069	brushed nickel	2200	35	3000	6x1

All figures in mm

Product reference	Product number	COLOR	cd	W	K	
KIT HALO PRO S and PRO HYDRO S						
KIT HALO PRO S 1x35W White	4008321 398987	white	2200	35	3000	6x1
KIT HALO PRO S 1x35W Brushed Nickel	4008321 399007	brushed nickel	2200	35	3000	6x1
KIT HALO PRO HYDRO S 1x35W White	4008321 399083	white	2200	35	3000	6x1
KIT HALO PRO HYDRO S 1x35W Brushed Nickel	4008321 399106	brushed nickel	2200	35	3000	6x1

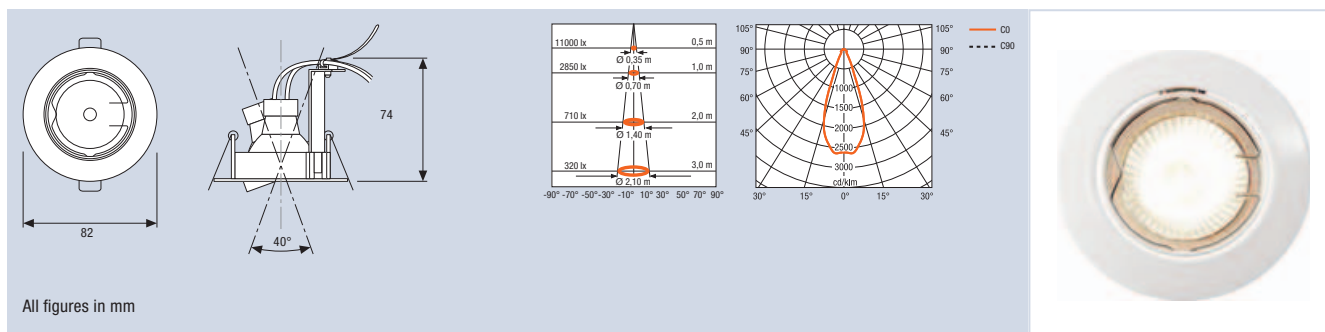
KIT HALO PRO/PRO HYDRO is a set that is ready for installation and consists of a downlight with connecting terminal, an electronic transformer and a DECOSTAR® DR51 ECO in two different versions (square and round). It is ideal for economical lighting in retail outlets, hotels and restaurants. KIT HALO PRO HYDRO has an additional shield for IPX4 and is ideal for economical operation in wet rooms, kitchens and gyms.

Features and benefits:


- Die-cast aluminum casing in two versions: square and round
- KIT HALO PRO HYDRO with additional shield for IPX4
- Simple installation and maintenance thanks to the Twist&Lock interlock for the lamp
- Equipped with DECOSTAR® DR51 ECO 35 W
- Average life 5000 hours
- Dimmable with trailing-edge phase control



KIT HALO CLASSIC



All figures in mm

Product reference	Product number	COLOR	cd	W	K	
KIT HALO CLASSIC						
KIT HALO CLASSIC 1x50W White	4008321390806	white	1500	50	3000	24x1

KIT HALO CLASSIC is a cost-effective set that is ready for installation and consists of a downlight with connecting terminal, an electronic transformer and a DECOSTAR® DR51 STANDARD. It is ideal for illuminating shop windows, retail outlets and corridors.

Features and benefits:

- Round die-cast aluminum casing in white (RAL 9016)
- Simple installation and maintenance thanks to clip fastening
- Lamp swivels through 40°
- Mounting diameter 75 mm
- Equipped with DECOSTAR® DR51 STANDARD 50 W with UV filter and dichroic reflector (reduces the heat on the illuminated object by up to 66 %)
- Average life 2000 hours
- Color temperature of 3000 K
- Beam angle of 36°
- Dimmable with trailing-edge phase control



DOWNLIGHTS

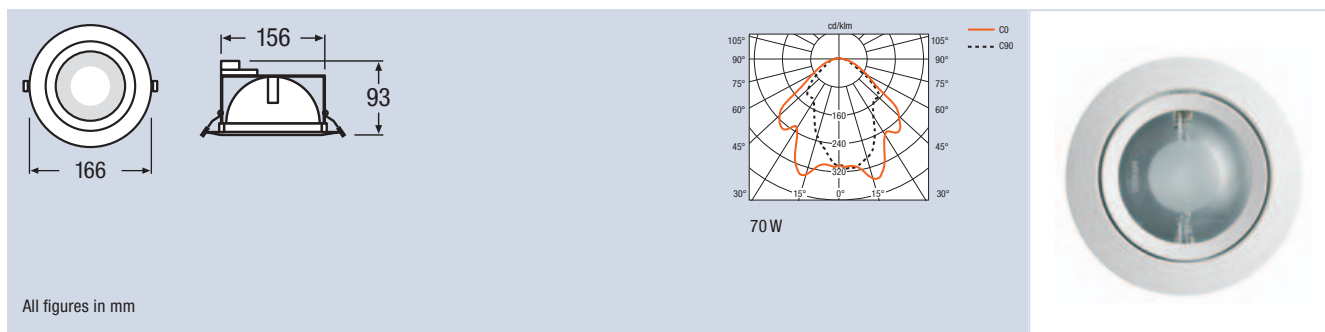
KIT DOWNLIGHT HQI®-TS EXCELLENCE

All figures in mm

Product reference	Product number	Ordering number	COLOR	W	K	R _a	lm	η _{LB}	[mm]	
KIT DOWNLIGHT HQI®-TS EXCELLENCE – SQUARE										
KIT DOWNLIGHT HQI-TS EXC 70W SQUARE WDL	4008321 391766	76095-21	white	70	3000	75	6200	0.72	234x128	2x1
KIT DOWNLIGHT HQI-TS EXC 70W SQUARE NDL	4008321 391780	76095-23	white	70	4200	85	6500	0.72	234x128	2x1
KIT DOWNLIGHT HQI-TS EXC 70W SQUARE D	4008321 391803	76095-25	white	70	5600	80	6200	0.72	234x128	2x1
KIT DOWNLIGHT HQI-TS EXC 150W SQUARE WDL	4008321 391841	76097-21	white	150	3000	75	12000	0.72	234x128	2x1
KIT DOWNLIGHT HQI-TS EXC 150W SQUARE NDL	4008321 391865	76097-23	white	150	4200	85	12500	0.72	234x128	2x1
KIT DOWNLIGHT HQI-TS EXC 150W SQUARE D	4008321 391889	76097-25	white	150	5600	80	13500	0.72	234x128	2x1

All figures in mm

Product reference	Product number	Ordering number	COLOR	W	K	R _a	lm	η _{LB}	[mm]	
KIT DOWNLIGHT HQI®-TS EXCELLENCE – ROUND										
KIT DOWNLIGHT HQI-TS EXC 70W ROUND WDL	4008321 391605	76091-21	white	70	3000	75	6200	0.72	220	2x1
KIT DOWNLIGHT HQI-TS EXC 70W ROUND NDL	4008321 391629	76091-23	white	70	4200	85	6500	0.72	220	2x1
KIT DOWNLIGHT HQI-TS EXC 70W ROUND D	4008321 391643	76091-25	white	70	5600	80	6200	0.72	220	2x1
KIT DOWNLIGHT HQI-TS EXC 150W ROUND WDL	4008321 391667	76093-21	white	150	3000	75	12000	0.72	220	2x1
KIT DOWNLIGHT HQI-TS EXC 150W ROUND NDL	4008321 391704	76093-23	white	150	4200	85	12500	0.72	220	2x1
KIT DOWNLIGHT HQI-TS EXC 150W ROUND D	4008321 391728	76093-25	white	150	5600	80	13500	0.72	220	2x1



All figures in mm

Product reference

Product number

Ordering number

COLOR

W

K

R_a

lm

η_{LB}

[mm]

4x1

KIT DOWNLIGHT HQI®-TS EXCELLENCE – MINI ROUND

KIT DOWNLIGHT HQI-TS EXC 70W MINI ROUND WDL	4008321 391902	76099-21	white	70	3000	75	6200	0.68	156	4x1
KIT DOWNLIGHT HQI-TS EXC 70W MINI ROUND NDL	4008321 391926	76099-23	white	70	4200	85	6500	0.68	156	4x1
KIT DOWNLIGHT HQI-TS EXC 70W MINI ROUND D	4008321 391940	76099-25	white	70	5600	80	6200	0.68	166	4x1

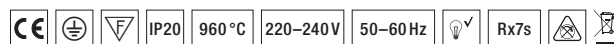
KIT DOWNLIGHT HQI®-TS EXCELLENCE is a set that is ready for installation and consists of a downlight with connecting terminal, electronic control gear and a metal halide lamp in three different versions. It is ideal for economical lighting in retail outlets, foyers and restaurants.



For details and conditions, see www.osram.com/guarantee

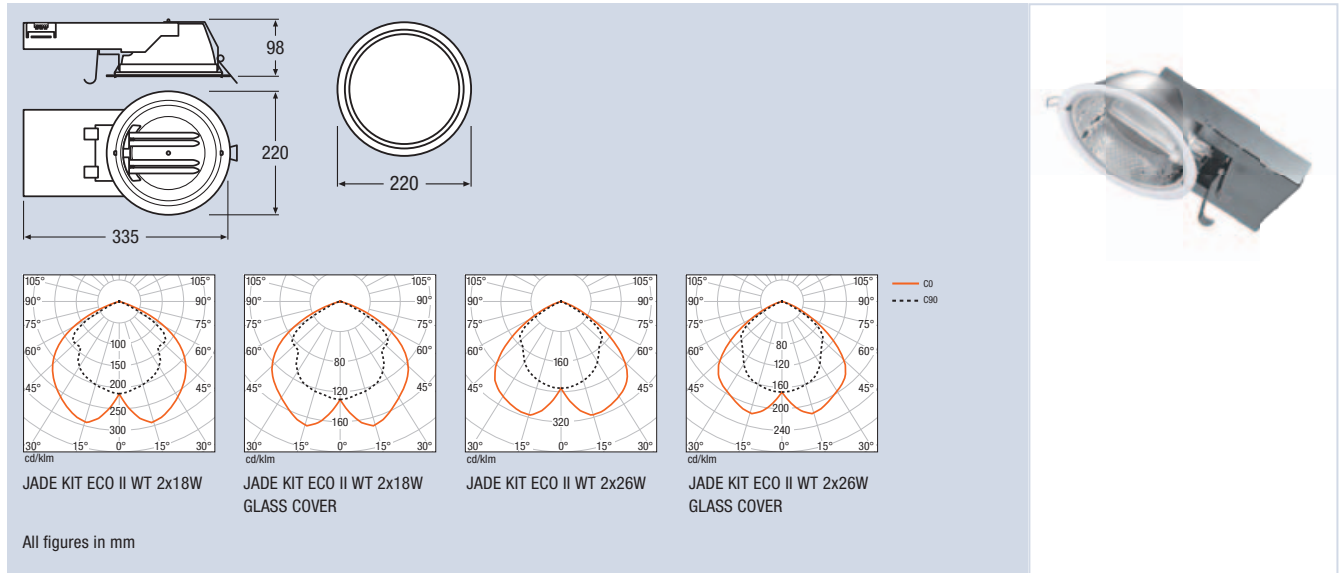
Features and benefits:

- Casing made of powder-coated aluminum in three versions: SQUARE, ROUND and MINI ROUND
- Luminaire color: white (RAL 9016)
- SQUARE version swivels through 45°
- Equipped with POWERSTAR® HQI®-TS EXCELLENCE 70 W or 150 W in light colors 3000 K (WDL), 4200 K (NDL) and 5600 K (D)
- 12000 hours lamp life
- Glass cover for effective glare reduction
- POWERTRONIC® PTi control gear
- Higher luminaire efficiency (up to +5 %) and higher luminous flux (up to +15 %) in systems
- Not dimmable
- Delivery 3 weeks after ordering



DOWNLIGHTS

JADE® KIT ECO II

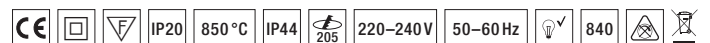


Product reference	Product number	COLOR		η_{LB}	W	K	
JADE® KIT ECO II							
JADE KIT ECO II WT 2x18W	4008321 663559	white	840	0.72	2x18	4000	1x1
JADE KIT ECO II WT 2x26W	4008321 663566	white	840	0.70	2x26	4000	1x1

JADE® KIT ECO II is a set that is ready for installation and consists of a downlight with connecting terminal, electronic control gear and two OSRAM DULUX® D/E 18W or 26W lamps for installation in suspended ceilings. Thanks to its very low profile of 95 mm, it requires only an installation depth of 120 mm. The set is ideal for constant economical lighting in retail outlets, reception areas, offices and corridors.

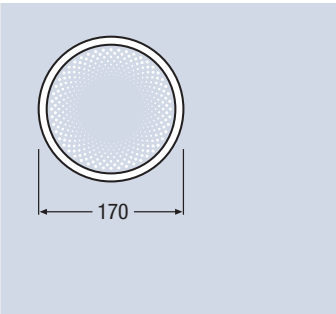

Features and benefits:

- Luminaire color: white (RAL 9003)
- Set comprising 1 luminaire, 1 QT-ECO T/E 2x18W or 2x26W control gear (EEI = A3) and 2 OSRAM DULUX® D/E 18W or 26W 840 lamps
- Two versions (2x18W and 2x26W), both are open (IP20)
- Accessory glass cover enables IP44 rating
- Lamp start in two seconds
- Automatic shutdown if the lamp is faulty (EOL)
- Automatic restart of replacement lamps



JADE® KIT ECO II accessory

Product reference	Product number	
JADE® KIT ECO II glass cover		
JADE KIT ECO II GLASS COVER - IP44	4008321 662910	50x1





Clever, versatile, adjustable.

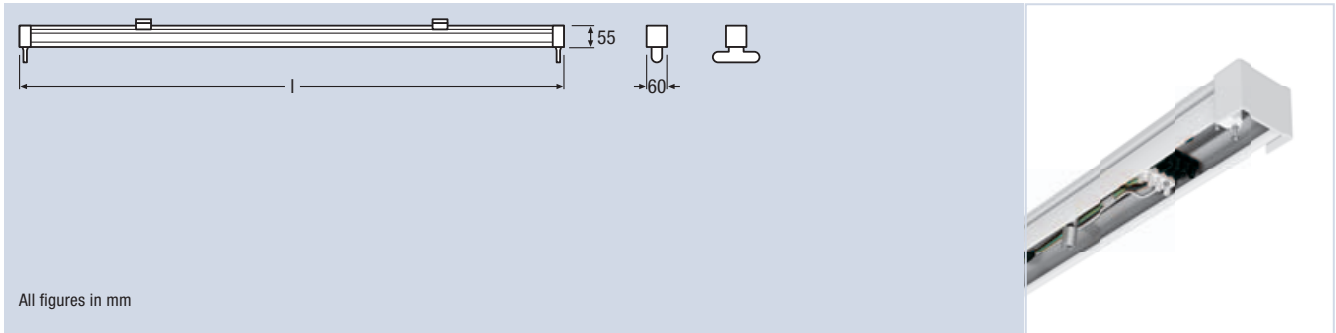
Thanks to their well-thought-out modular design, trunking systems can be individually adjusted to various complex photometric requirements. The basic elements of the system – mounting rail and board with open distribution – can be equipped with different photometric components. Therefore, trunking systems are suitable for both cost-efficient lighting in industrial areas and for demanding lighting tasks in sales rooms.


Trunking systems

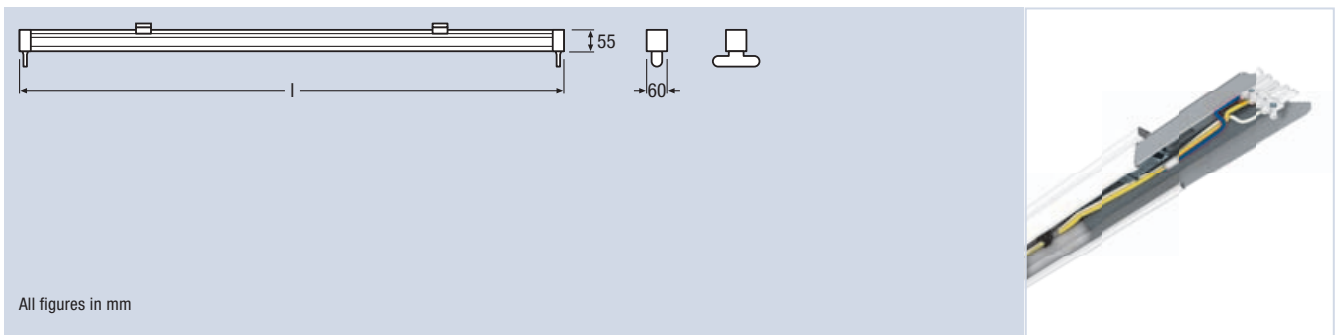
FLASH T5 – rails	148
FLASH T5 – boards	149
FLASH T5 ECO reflector	151
FLASH T5 PRESTIGE pack	153
FLASH T8 – rails	154
FLASH T8 – boards	155
FLASH T8 ECO reflector	157
FLASH T8 PRESTIGE pack	159




FLASH T5 – rails



Product reference	Product number	COLOR	l [mm]	
FLASH T5 – rail depart				
FLASH T5 rail depart white 1480mm	4008321638847	white	1480	2
FLASH T5 rail depart white 4440mm	4008321638892	white	4440	7x2



Product reference	Product number	COLOR	l [mm]	
FLASH T5 – rail standard				
FLASH T5 rail standard white 1480mm	4008321638878	white	1480	2
FLASH T5 rail standard white 2960mm	4008321638885	white	2960	2
FLASH T5 rail standard white 4440mm	4008321638908	white	4440	7x2

Product features:

- Coated metal casing (RAL 9016)
- For ceiling mounting or pendant mounting
- For three-phase strip lighting with 5-pin connector system
- Prewired with 5-core cable 2.5 mm²
- Connection with 5-pin screw terminal
- Different reflectors optionally available
- Single or double lamp lengths
- Modular system for flexible configuration

Product benefits:

- QTP5 (EEI = A2) Electronic Control Gear
- Quick and simple installation
- Simple connection thanks to integrated connector system
- Simply select the bracket, rails and board, then select the reflector
- Rail end caps are delivered with FLASH T5 rail depart
- Variable installation possibilities
- Long lamp life by soft start technology
- Minimum installation effort and cost
- Suitable for computer screen workplaces with PRESTIGE pack



FLASH T5 – boards

1530

60

135° 150° 165° 180° 165° 150° 135°
120° 120°
105° 105°
90° 90°
75° 75°
60° 60°
45° 30° 15° 0° 15° 30° 45°
cd/klm $\eta = 92\%$

— C0
- - - C90

All figures in mm

Product reference	Product number	COLOR	l [mm]	
FLASH T5 – boards				
FLASH T5 board 1480mm white 1x49W	4008321638915	white	1480	6
FLASH T5 board 2960mm white 2x1x49W	4008321653574	white	2960	3

1480

60

135° 150° 165° 180° 165° 150° 135°
120° 120°
105° 105°
90° 90°
75° 75°
60° 60°
45° 30° 15° 0° 15° 30° 45°
cd/klm $\eta = 90\%$




— C0
- - - C90

All figures in mm

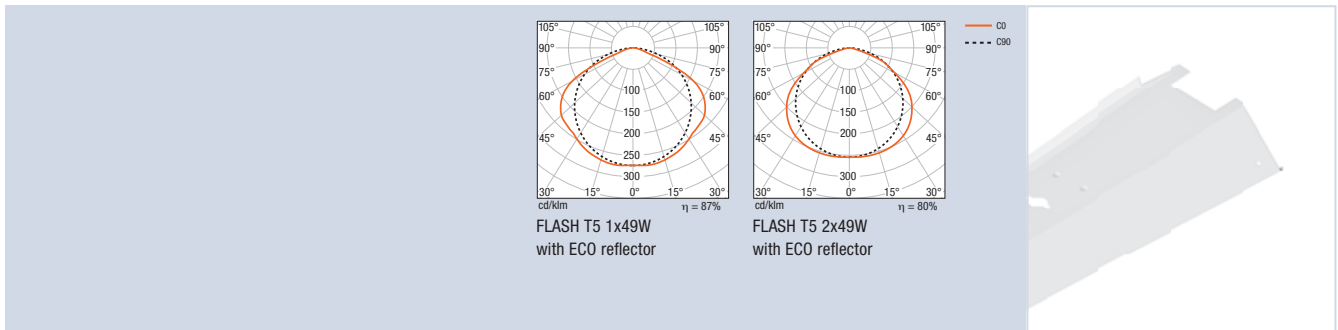
Product reference	Product number	COLOR	
FLASH T5 – board			
FLASH T5 board 1480mm white 2x49W	4008321639035	white	6



FLASH T5 accessories

Product reference	Product number				
Bracket for ceiling mounting					
FLASH bracket for ceiling mounting	4050300 482446			1000x1	
Bracket for pendant mounting					
FLASH bracket for pendant mounting	4050300 482460			10x1	
Cover					
FLASH T5 cover 1480mm	4008321 641953	white	1480	20	

FLASH T5 ECO reflector

Product
referenceProduct
number

COLOR



FLASH T5 ECO reflector

FLASH T5 ECO reflector 1480mm white

4008321641977

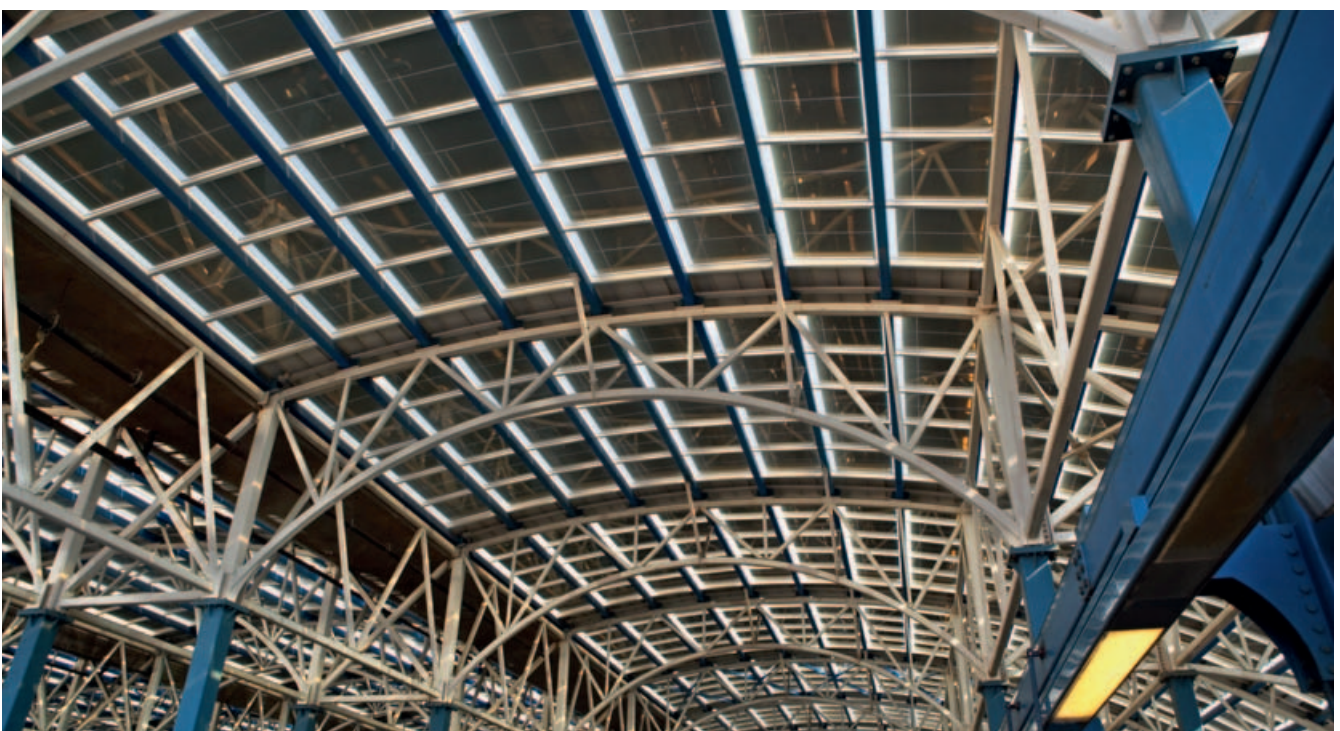
white

1

Thanks to its modern design, the FLASH T5 ECO reflector can be installed very easily without the need for tools. For a complete luminaire, a rail and a board are also required. FLASH T5 ECO reflector is perfect for commercial and industrial applications.

Features and benefits:


- White coated steel
- No tools required for installation, with 90° allen key
- Simply select the bracket, rails and board, then select the reflector
- Suitable for 16 mm 49 W fluorescent lamps



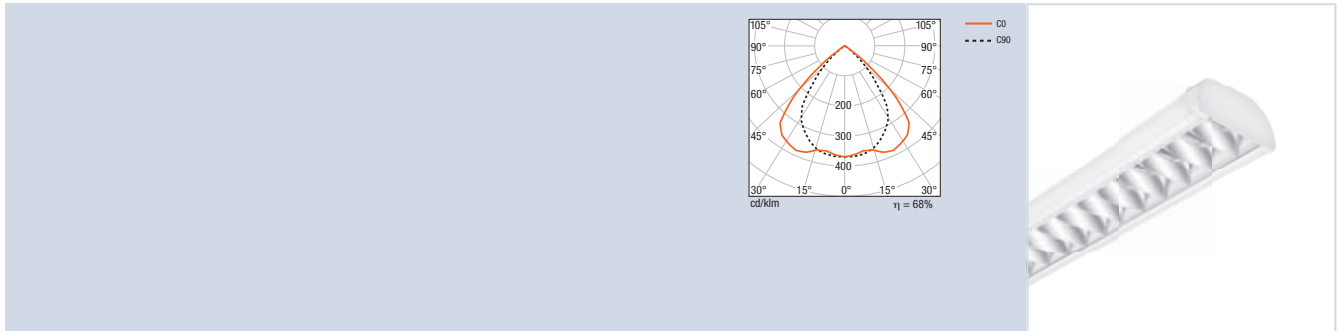
FLASH T5 ECO accessories

Product reference	Product number	COLOR		
End caps				
FLASH T5 ECO reflector end caps	4008321 642011	white	11x2	

Product reference	Product number	COLOR		
Rail clips				
FLASH T5 ECO reflector rail clips	4008321 642035	white	25x2	

Product reference	Product number	COLOR			
Protection grid					
FLASH T5 ECO protection grid	4008321 641984	white	1480	1	

FLASH T5 PRESTIGE pack





Product reference	Product number	COLOR	
FLASH T5 PRESTIGE pack			
FLASH T5 PRESTIGE pack 1480mm white	4008321641960	white	1


Thanks to its modern design, the FLASH T5 PRESTIGE pack can be installed very easily without the need for tools. For a complete luminaire, a rail and board are also required. FLASH T5 PRESTIGE pack is perfect for commercial and industrial applications, and is suitable for computer screen workplaces.

Features and benefits:

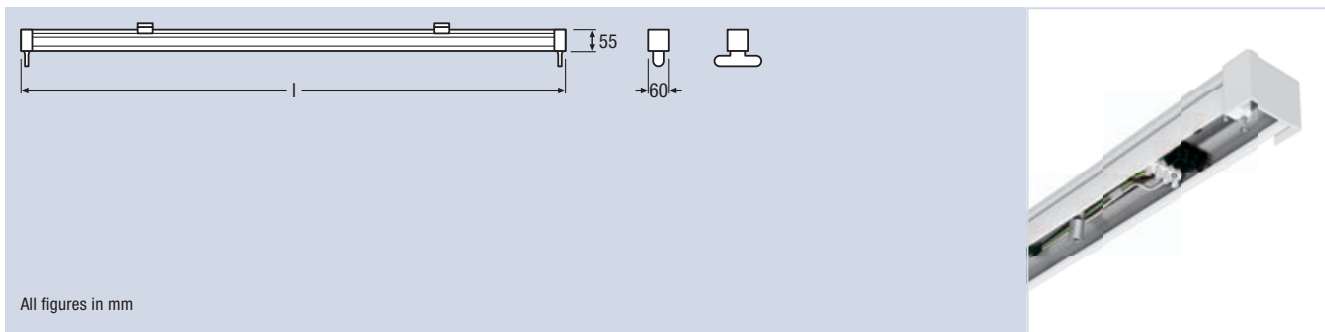
- White coated steel
- No tools required for installation, with 90° allen key
- Simply select the bracket, rails and board, then select the reflector
- Clips and end caps have to be ordered separately
- Suitable for 16 mm 49W fluorescent lamps

FLASH T5 PRESTIGE pack accessories

Product reference	Product number	COLOR		
Rail clips				
FLASH T5 PRESTIGE pack rail clips	4008321642059	white	50x2	

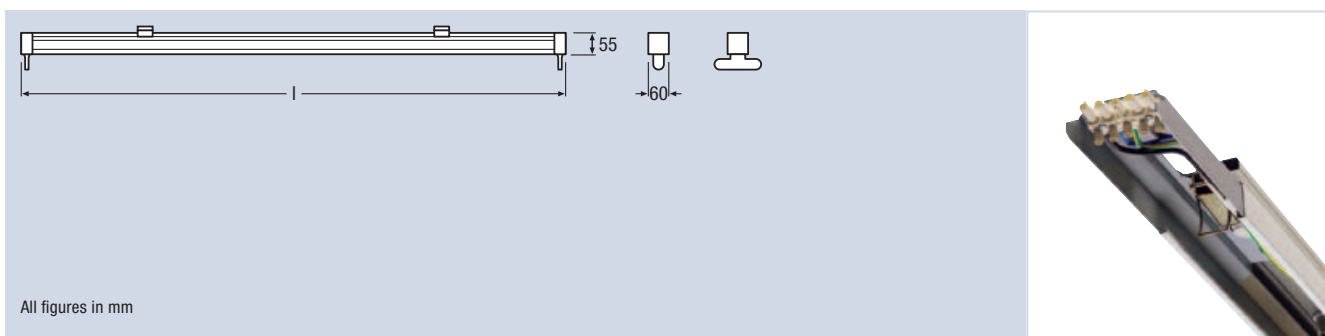
Product reference	Product number	COLOR		
End caps				
FLASH T5 PRESTIGE pack end caps	4008321641991	white	11x2	

FLASH T8 – rails



All figures in mm

Product reference	Product number	COLOR	Length [mm]	Quantity
FLASH T8 – rail depart				
FLASH T8 rail depart white 1530mm	4050300482248	white	1530	2x1
FLASH T8 rail depart white 3060mm	4050300482262	white	3060	2x1



All figures in mm

Product reference	Product number	COLOR	Length [mm]	Quantity
FLASH T8 – rail standard				
FLASH T8 rail standard white 1530mm	4050300482286	white	1530	2x1
FLASH T8 rail standard white 3060mm	4050300482309	white	3060	2x1

Product features:

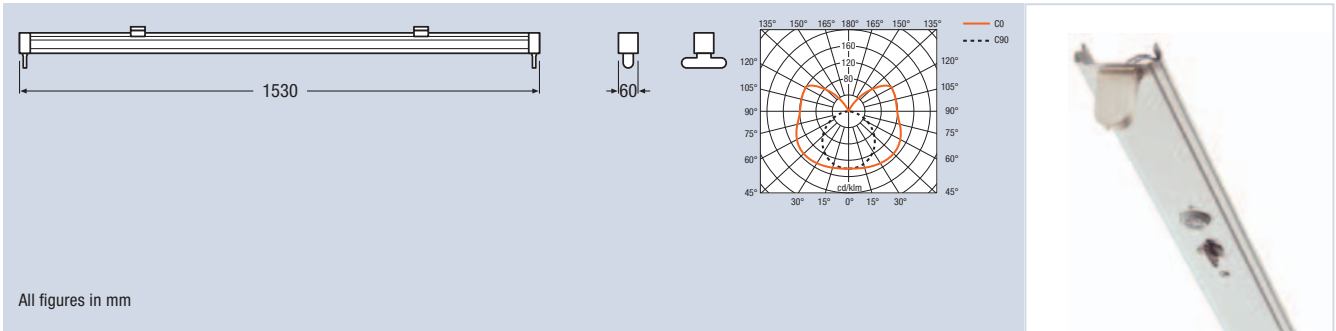
- Coated metal casing (RAL 9016)
- For ceiling mounting or pendant mounting
- For three-phase strip lighting with 5-pin connector system
- Prewired with 5-core cable 2.5 mm²
- Connection with 5-pin screw terminal
- Different reflectors optionally available
- Single or double lamp lengths
- Modular system for flexible configuration

Product benefits:

- QT-FIT8 (EEI = A2) Electronic Control Gear
- Quick and simple installation
- Simple connection thanks to integrated connector system
- Simply select the bracket, rails and board, then select the reflector
- Rail end caps are delivered separately from FLASH T8 rail depart, as an accessory
- Variable installation possibilities
- Minimum installation effort and cost
- Suitable for computer screen workplaces with PRESTIGE pack



FLASH T8 – boards



All figures in mm

Product reference

Product number

COLOR

l
[mm]



FLASH T8 – boards

FLASH T8 board 1530mm white 1x58W

4050300527628

white

1530

6x1

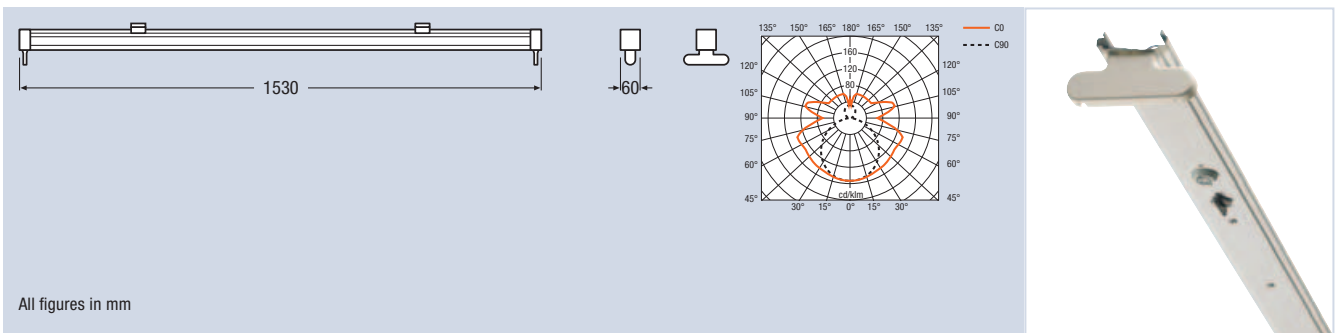
FLASH T8 board 3060mm white 2x1x58W

4050300527666

white

3060

1x1



All figures in mm

Product reference

Product number

COLOR



FLASH T8 – board

FLASH T8 board 1530mm white 2x58W









4050300527642

white

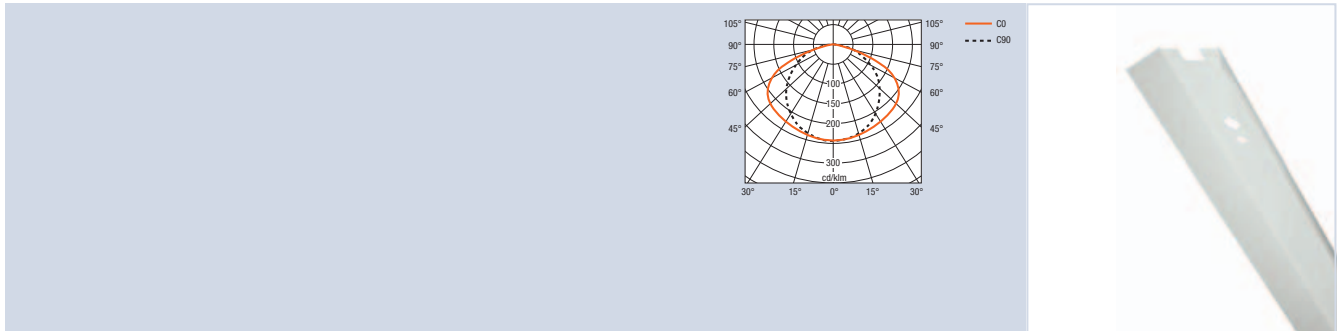
6x1



FLASH T8 accessories

<p>Product reference</p> <p>Bracket for ceiling mounting</p> <p>FLASH bracket for ceiling mounting</p>	<p>Product number</p> <p>4050300482446</p>	<p></p> <p>1000x1</p>		
<p>Product reference</p> <p>Bracket for pendant mounting</p> <p>FLASH bracket for pendant mounting</p>	<p>Product number</p> <p>4050300482460</p>	<p></p> <p>10x1</p>		
<p>Product reference</p> <p>End cap</p> <p>FLASH rail end cap</p>	<p>Product number</p> <p>4050300482385</p>	<p>COLOR</p> <p>white</p>	<p></p> <p>10x1</p>	
<p>Product reference</p> <p>Cover</p> <p>FLASH T8 cover 1530mm</p>	<p>Product number</p> <p>4050300482422</p>	<p>COLOR</p> <p>white</p>	<p></p> <p>1530</p> <p>12x1</p>	

FLASH T8 ECO reflector



**Product
reference**

**Product
number**

COLOR



FLASH T8 ECO reflector

FLASH T8 ECO reflector 1x/2x58W

4050300**482200**

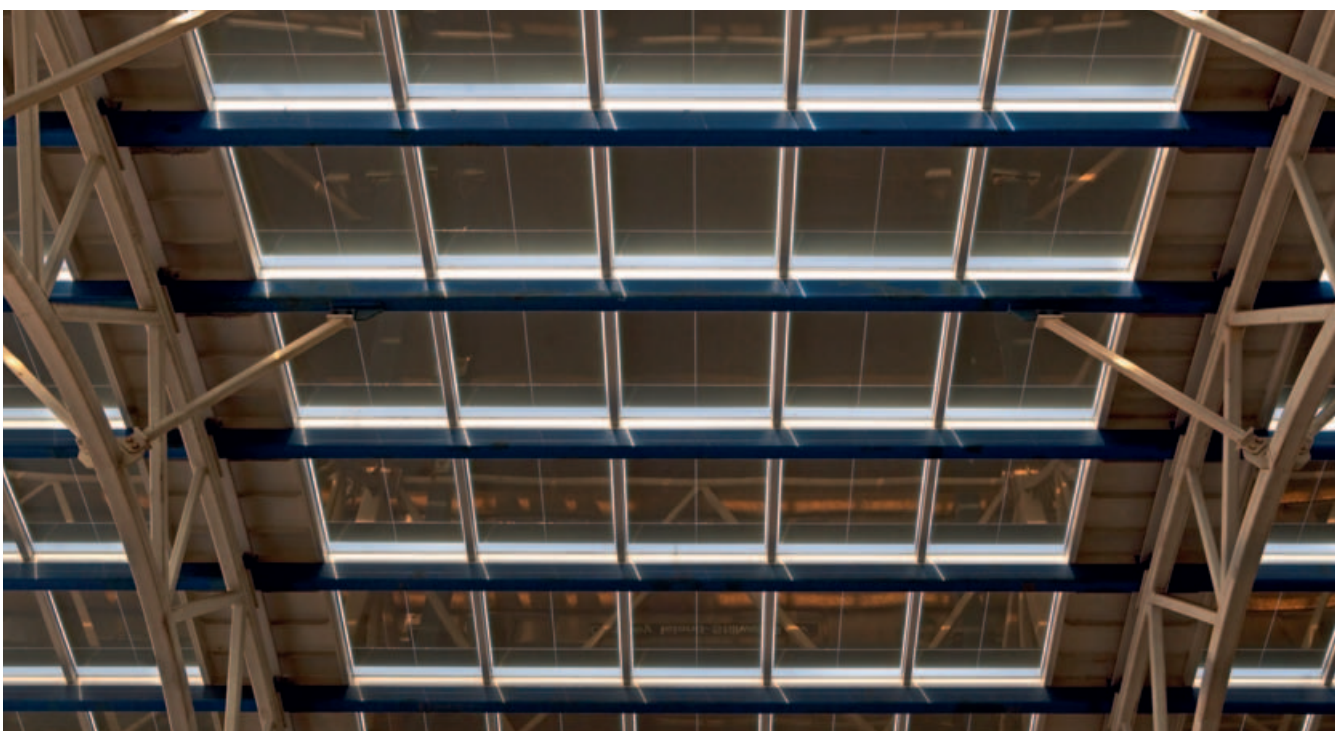
white

6x1

Thanks to its modern design, the FLASH T8 ECO reflector can be installed very easily without the need for tools. For a complete luminaire, a rail and a board are also required. FLASH T8 ECO reflector is perfect for commercial and industrial applications.

Features and benefits:

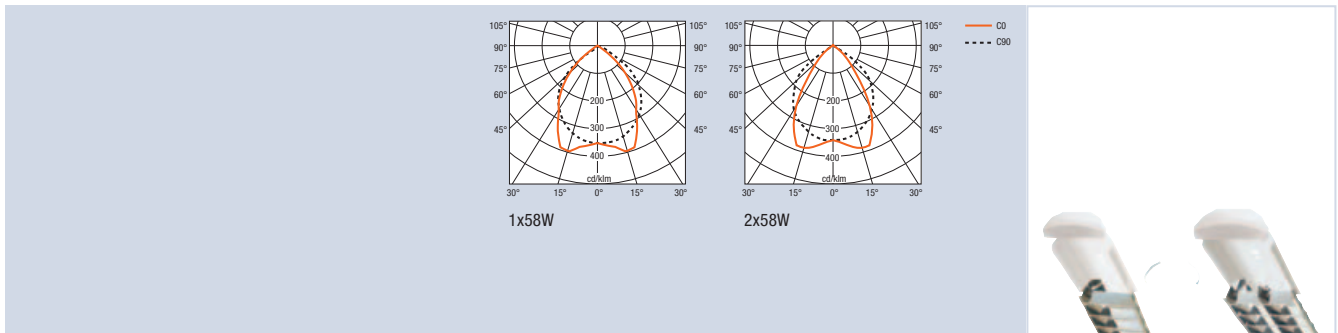
- White coated steel
- No tools required for installation, with 90° allen key
- Simply select the bracket, rails and board, then select the reflector
- Suitable for 26 mm 58 W fluorescent lamps



FLASH T8 ECO accessories

Product reference	Product number	COLOR			
End caps					
FLASH T8 ECO reflector end caps	4050300482347	white		10x1	
Rail clips					
FLASH T8 ECO reflector rail clips	4050300482323	white		25x2	
Protection grid					
FLASH T8 ECO protection grid	4050300117690	white	1530	2x1	

FLASH T8 PRESTIGE pack



Product reference

Product number

COLOR



FLASH T8 PRESTIGE pack


FLASH T8 PRESTIGE pack 1530 mm 1x58W	4050300 482194	white	1x1
FLASH T8 PRESTIGE pack 1530 mm 2x58W	4050300 482187	white	1x1

Thanks to its modern design, the FLASH T8 PRESTIGE pack can be installed very easily without the need for tools. For a complete luminaire, a rail and a board are also required. FLASH T8 PRESTIGE pack is perfect for commercial and industrial applications, and is suitable for computer screen workplaces.


Features and benefits:

- White coated steel
- No tools required for installation, with 90° allen key
- Simply select the bracket, rails and board, then select the reflector
- Clips and end caps have to be ordered separately
- Suitable for 26 mm 58W fluorescent lamps

FLASH T8 PRESTIGE pack accessories

Product reference	Product number	COLOR		
Rail clips				
FLASH T8 PRESTIGE pack rail clips	4050300 482408	white		25x2



Product reference	Product number	COLOR		
End caps				
FLASH T8 PRESTIGE pack end caps 1x58W	4050300 482224	white		10x1
FLASH T8 PRESTIGE pack end caps 2x58W	4050300 482361	white		10x1







Intelligent, tailor-made, easy.

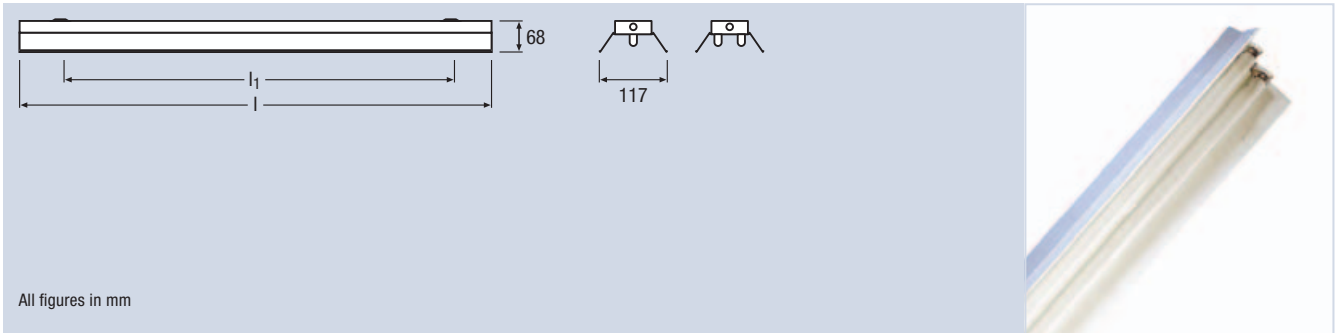
Modular luminaire systems from OSRAM allow for customized lighting designs that can be adjusted to fit perfectly into any surrounding and meet all individual requirements. Of course, the systems are easy to install and easy to maintain. It's not without reason that OSRAM has earned a reputation for supplying outstanding user-oriented lighting solutions.

Modular systems

RFI E T5	164
RFI E T8	165
PASS T5	166
PASS T8	167



RFI E T5



All figures in mm

Product reference	Product number	COLOR	l [mm]	h [mm]	
RFI E T5					
RFI E 2x49W	4008321733719	white	1476	1000/1130	1x1

RFI E combines small size with huge power. The luminaire is the perfect choice for rooms with high ceilings, long wall runs and cove lighting. It offers very comfortable light. Ideal for industrial lighting, garages, sports halls.

Features and benefits:

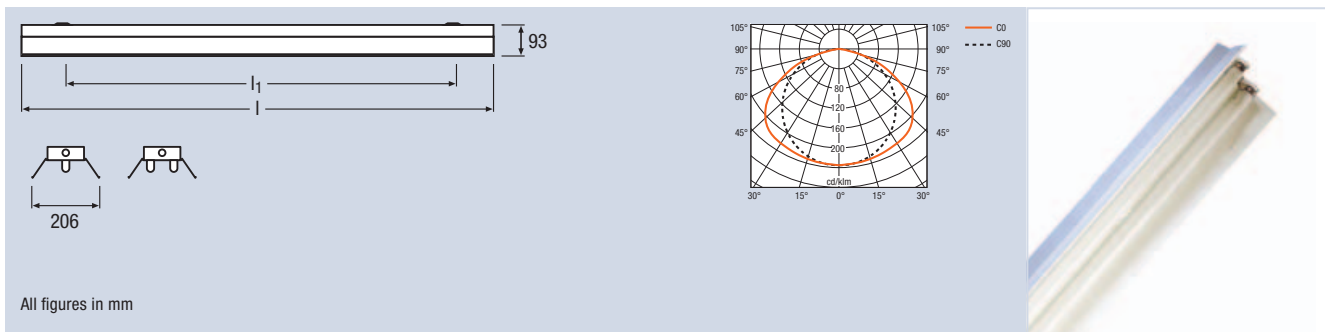
- Silver painted steel
- Thin, low-profile aluminum reflector
- Equipped with QTP5 Electronic Control Gear (EEI = A2)
- Ready to install, complete with wing nuts
- Suitable for T5 fluorescent lamps



RFI E T5 accessories

Product reference	COLOR	
RFI E T5 accessories		
RFI E louver grid 2x49W	white	
RFI E protection grid 2x49W	white	
RFI E end caps	white	
RFI E connector	white	

RFI E T8



All figures in mm

Product reference	Product number	COLOR	l [mm]	h [mm]	
RFI E T8					
RFI E 2x36W HF	4050300 096520	white	1223	1000	1x1
RFI E 2x58W HF	4050300 096384	white	1523	1300	1x1

RFI E combines small size with huge power. The luminaire is the perfect choice for rooms with high ceilings, long wall runs and cove lighting. It offers very comfortable light. Ideal for industrial lighting, garages, sports halls.

Features and benefits:

- Silver painted steel
- Thin, low-profile aluminum reflector
- Equipped with QT-FIT8 Electronic Control Gear (EEI = A2)
- Ready to install, complete with wing nuts
- Suitable for T8 fluorescent lamps

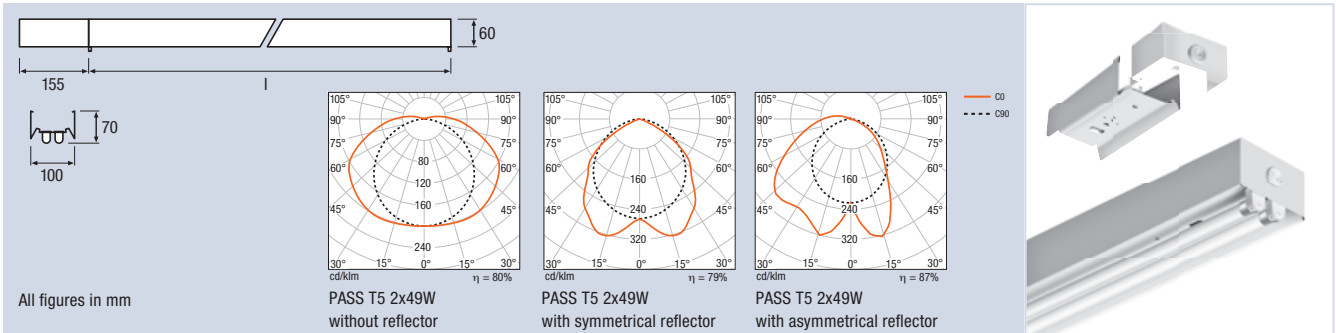


RFI E T8 accessories

Product reference	Product number	COLOR	
RFI E T8 accessories			
RFI E lamella grid 2x58W	4050300 117690	white	2x1
RFI E grid 2x58	4050300 820170	white	1x1
RFI E end caps	4008321 083456	white	25x2
RFI E connectors	4008321 083449	white	25x2



PASS T5



Product reference	Product number	COLOR	l [mm]	
PASS T5				
PASS T5 2x49W	4008321629388	white	1480	1x1
PASS T5 2x2x49W	4008321629838	white	2960	1x1
PASS T5 depart (starting part)	4008321629906	white	155	1x1

Prewired strip light with bracket and guide rail for ceiling mounting or pendant mounting. For general illumination in industrial premises or extensive route lighting in workshops, factories, warehouses, public buildings and shopping centers.

Features and benefits:

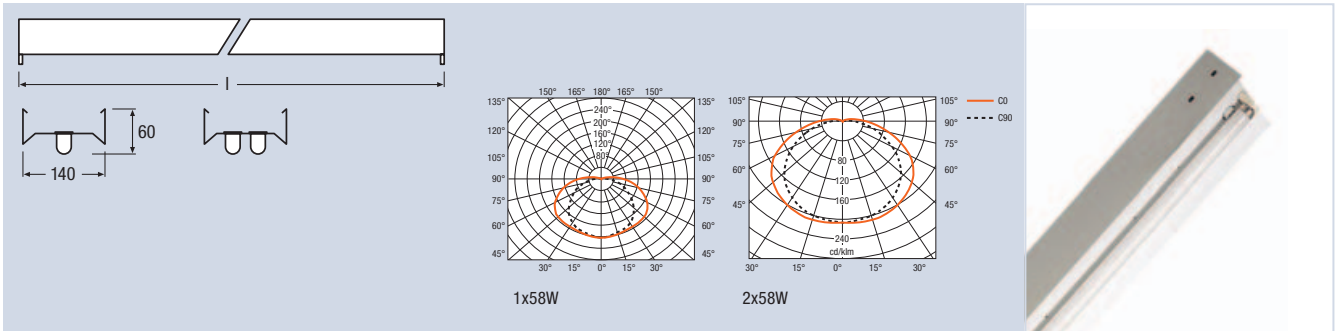
- Painted steel casing with good reflection properties
- Suitable for LUMILUX® T5 49W
- With QTP5 Electronic Control Gear (EEI = A2)
- Prewired T5 luminaire for continuous lines with automatic electrical connection
- Quick and easy lamp replacement




PASS T5 accessories

<p>Product reference</p> <p>PASS T5 symmetrical reflector</p> <p>PASS T5 symmetrical reflector 1480mm</p>	<p>Product number</p> <p>4008321628701</p>	<p></p> <p>10</p>	
<p>Product reference</p> <p>PASS T5 asymmetrical reflector</p> <p>PASS T5 asymmetrical reflector 1480mm</p>	<p>Product number</p> <p>4008321628725</p>	<p></p> <p>5</p>	
<p>Product reference</p> <p>PASS T5 suspension brackets</p> <p>PASS T5 suspension brackets</p>	<p>Product number</p> <p>4008321632203</p>	<p></p> <p>100x1</p>	

PASS T8



Product reference	Product number	COLOR	η_{LB}	l [mm]	
PASS T8					
PASS II 153 1x58W HF	4050300910451	white	0.79	1530	1x1
PASS II 153 2x58W HF	4050300910437	white	0.79	1530	1x1
PASS II 306 2x1x58W HF	4050300910475	white	0.78	3060	1x1
PASS II 306 2x2x58W HF	4050300909455	white	0.78	3060	1x1


Prewired strip light with bracket and guide rail for ceiling mounting or pendant mounting. For general illumination in industrial premises or extensive route lighting in workshops, factories, warehouses, public buildings and shopping centers.

Features and benefits:

- Painted steel casing with good reflection properties
- Suitable for LUMILUX® T8 58W
- With QT-FiT8 Electronic Control Gear (EEI = A2)
- Prewired with 5-core cable 2.5 mm² for three-phase strip lighting with 5-pin connector system
- Double phase circuit possible
- Quick and easy lamp replacement
- Connection with 5-pin feed-in connector plug



PASS T8 accessories

Product reference	Product number	
PASS T8 accessories		
PASS II bracket for additional suspension	4050300909264	72x1
PASS II end caps	4008321188434	18x2
PASS II zinc-plated end sheet 153	4050300772844	10x1
PASS II connector for cross mounting	4008321302816	48x2





Sealed, robust, efficient.

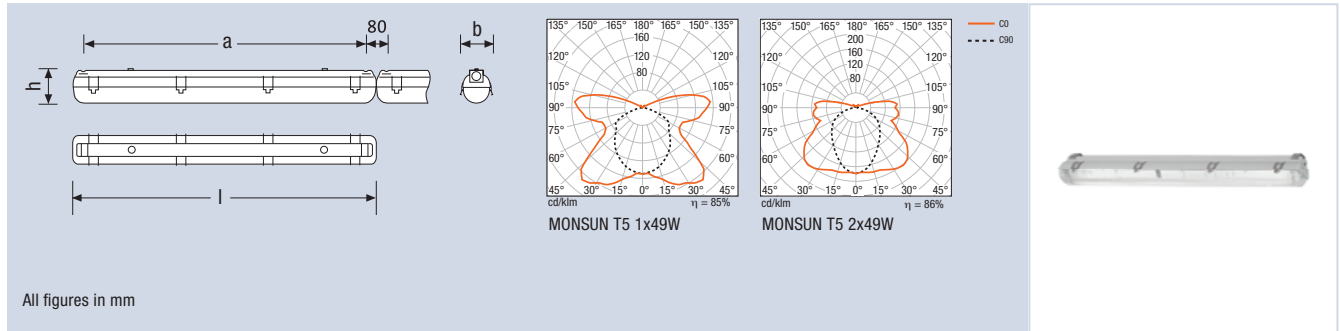
Damp-proof luminaires are designed to meet the special environmental conditions of industrial applications. Equipped with robust casings and special sealing systems, they can be used reliably in even the most difficult conditions. They can withstand extreme temperature fluctuations, critical moisture conditions and ambient air contaminated by particles. Thanks to their mature and efficient lighting technologies, they provide optimal light for the respective applications at all times.

Damp-proof luminaires

MONSUN® T5	170
MONSUN® T8	171
NEPTUNE® T5 POLY	172
NEPTUNE® T8 POLY	173
IGLOO II	174
AQUALINE® T5	175



MONSUN® T5



Product reference	Product number	COLOR	l [mm]	b [mm]	h [mm]	a [mm]	
MONSUN® T5 PMMA							
MONSUN 1x49W PMMA	4039806612045	bright gray	1577	84	102	1494	1x1
MONSUN 1x54W PMMA	4039806610942	bright gray	1277	84	102	1194	1x1
MONSUN 2x28W PMMA	4039806612007	bright gray	1277	130	110	1194	1x1
MONSUN 2x49W PMMA	4039806613462	bright gray	1577	130	110	1494	1x1

Product features:

- Damp-proof diffuser luminaire IP65
- Impact resistance IK07 in combination with the PC enclosure
- Suitable for harsh environments in combination with the PMMA enclosure
- Fire and ignition-resistant housing made of glass fibre reinforced polyester
- Light distribution with prismatic technology
- Mounting via clips (supplied)
- Suitable for ceiling surface mounting, suspended mounting
- Single or continuous row arrangements possible
- Equipped with QTP5 (EEI = A2) or QTP8 (EEI = A2)

Product benefits:


- High-grade materials and high type of protection
- Good, even illumination
- Easily installed
- Prepared for rapid installation to Siteco mounting rail DUS

Areas of application:

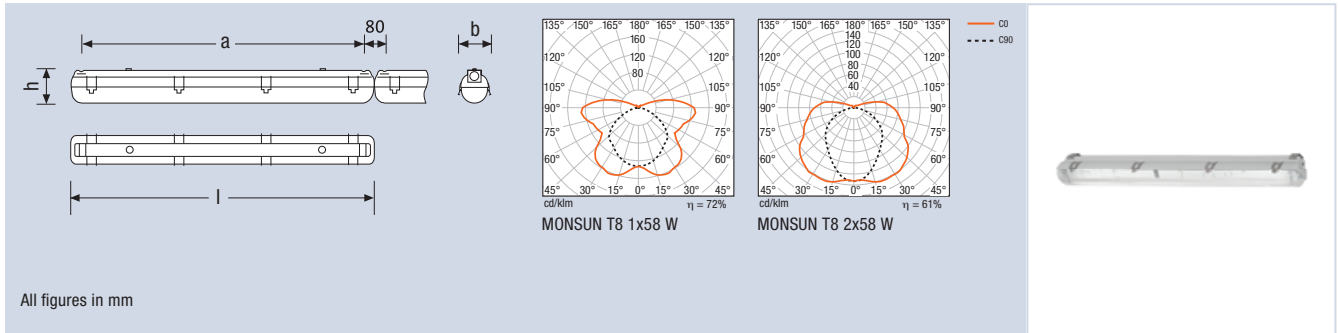
- Designed for the ambient conditions of industrial manufacturing
- Difficult application conditions with humidity or dust
- Interior and semi-exterior applications (only roofed areas)



MONSUN® T5/T8 accessory

Product reference	Product number	
MONSUN® T5/T8 accessory		
CHAIN STEEL GALV 5.6x31mm	4039806184306	1x1 

MONSUN® T8



Product reference

Product number

COLOR

l [mm]

b [mm]

h [mm]

l₈ [mm]



MONSUN® T8 PMMA

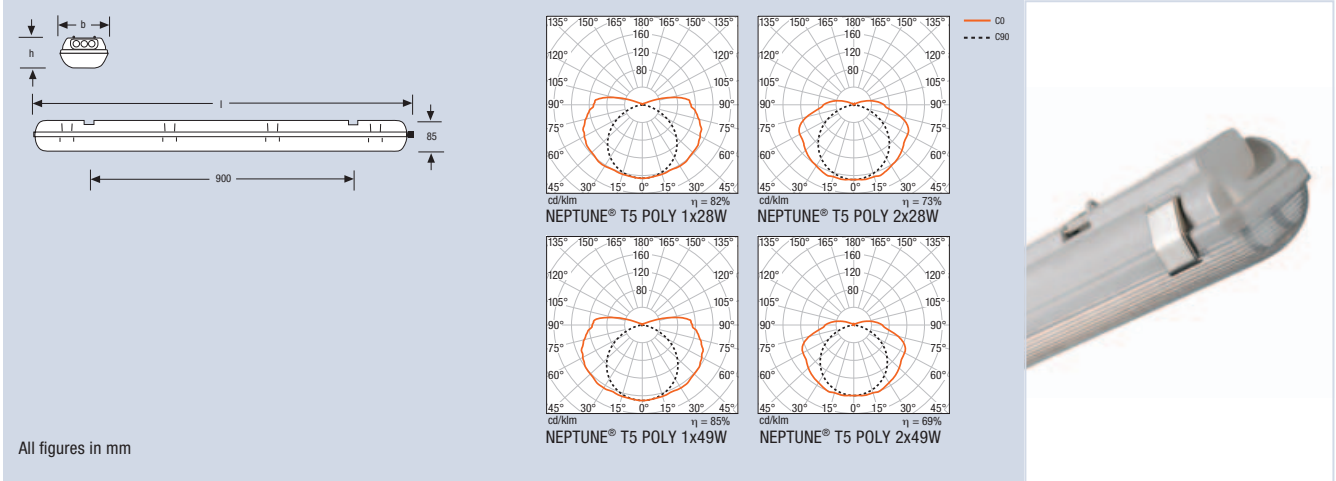
MONSUN 1x36W PMMA	4039806606266	bright gray	1277	84	102	1194	1x1
MONSUN 1x58W PMMA	4039806606273	bright gray	1577	84	102	1494	1x1
MONSUN 2x36W PMMA	4039806606280	bright gray	1277	130	110	1194	1x1
MONSUN 2x58W PMMA	4039806606297	bright gray	1577	130	110	1494	1x1


MONSUN® T8 PC

MONSUN 1x36W PC	4039806606532	bright gray	1277	84	102	1194	1x1
MONSUN 1x58W PC	4039806606549	bright gray	1577	84	102	1494	1x1
MONSUN 2x36W PC	4039806606563	bright gray	1277	130	110	1194	1x1
MONSUN 2x58W PC	4039806606570	bright gray	1577	130	110	1494	1x1

Note: For special features, product benefits and areas of application for MONSUN® T8, see page 170

NEPTUNE® T5 POLY



Product reference	Product number	COLOR	l [mm]	b [mm]	
NEPTUNE® T5 POLY					
NEPTUNE T5 POLY 1x28W	4008321659903	gray	1210	90	9x1
NEPTUNE T5 POLY 2x28W	4008321659989	gray	1210	108	9x1
NEPTUNE T5 POLY 1x49W	4008321660008	gray	1509	90	9x1
NEPTUNE T5 POLY 2x49W	4008321660022	gray	1509	108	9x1

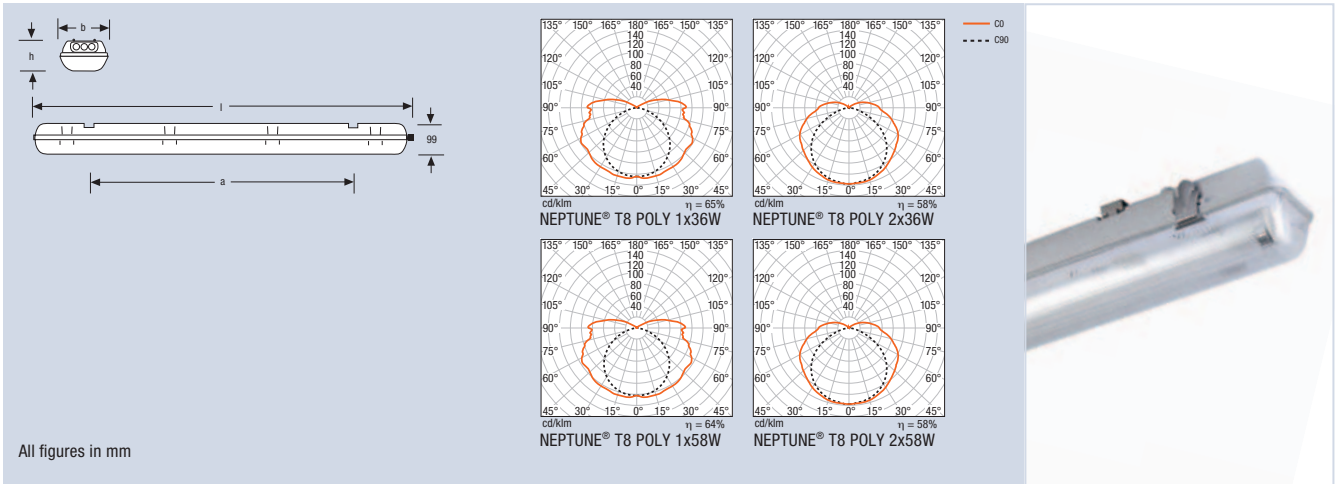
NEPTUNE® T5 is a functional jet-water-proof luminaire for environments in which luminaires have to be protected against moisture, dust, splashes and possible vibration. High resistance, functional design, and simple installation and maintenance are the most important features of NEPTUNE® T5. It is therefore ideal for industrial and storage facilities, car parks and underpasses.

Features and benefits:

- Polycarbonate casing with polyurethane seal
- Not suitable for harsh environments
- Equipped with QTP5 (EEI = A2) Electronic Control Gear
- Ceiling mounting with clips
- Suitable for LUMILUX® T5 fluorescent lamps
- Diffuser mounting with stainless steel clips
- Interior and semi-exterior applications (only roofed areas)
- Impact-resistant IK08



NEPTUNE® T8 POLY



All figures in mm

Product reference	Product number	COLOR	l [mm]	b [mm]	a [mm]	Icon
NEPTUNE® T8 POLY						
NEPTUNE POLY 1x36W HF	4008321910752	gray	1265	96	850	4x1
NEPTUNE POLY 2x36W HF	4008321910776	gray	1265	140	850	2x1
NEPTUNE POLY 1x58W HF	4008321910790	gray	1565	96	950	4x1
NEPTUNE POLY 2x58W HF	4008321910813	gray	1565	140	950	2x1

NEPTUNE® T8 is a functional jet-water-proof luminaire for environments in which luminaires have to be protected against moisture, dust, splashes and possible vibration. High resistance, functional design, and simple installation and maintenance are the most important features of NEPTUNE® T8. It is therefore ideal for industrial and storage facilities, car parks and underpasses.

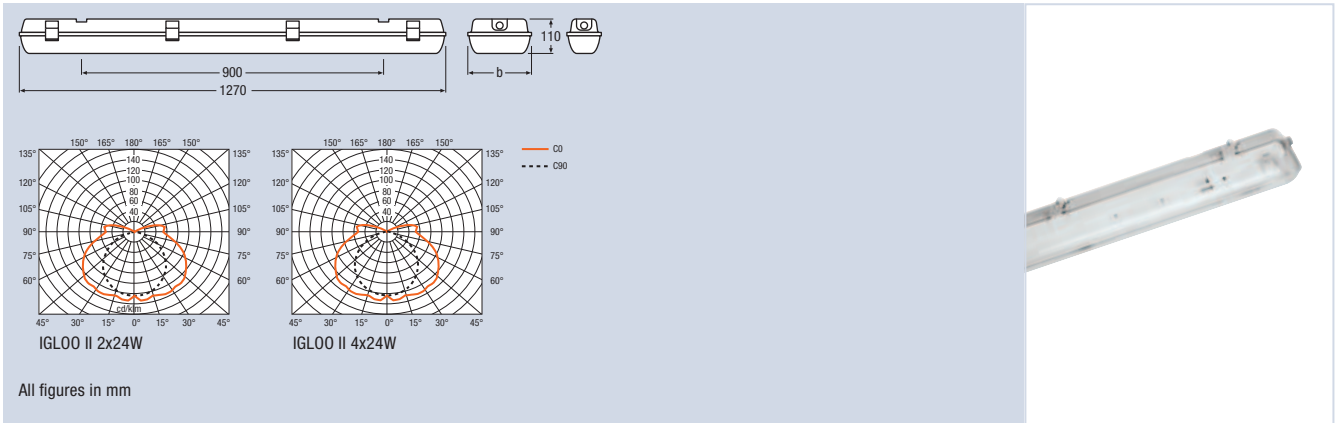
Features and benefits:

- Polycarbonate casing with polyurethane seal
- Not suitable for harsh environments
- Ceiling mounting with clips
- Suitable for LUMILUX® T8 fluorescent lamps
- Diffuser mounting with stainless steel clips
- Interior and semi-exterior applications (only roofed areas)
- Impact-resistant IK08
- Equipped with OSRAM electronic control gear, QUICKTRONIC® FIT T8 (EEI = A2) for 1x36, 2x36W, 2x58W, and soon for 1x58W (currently with QTISE)
- Quick-fix polyamide clips included¹⁾




1) Stainless steel clips in preparation

IGLOO II



All figures in mm

Product reference	Product number	COLOR	b [mm]	
IGLOO II				
IGLOO II 2x24W (DULUX)	4050300774626	gray	105	1x1
IGLOO II 4x24W (DULUX)	4050300774619	gray	170	1x1

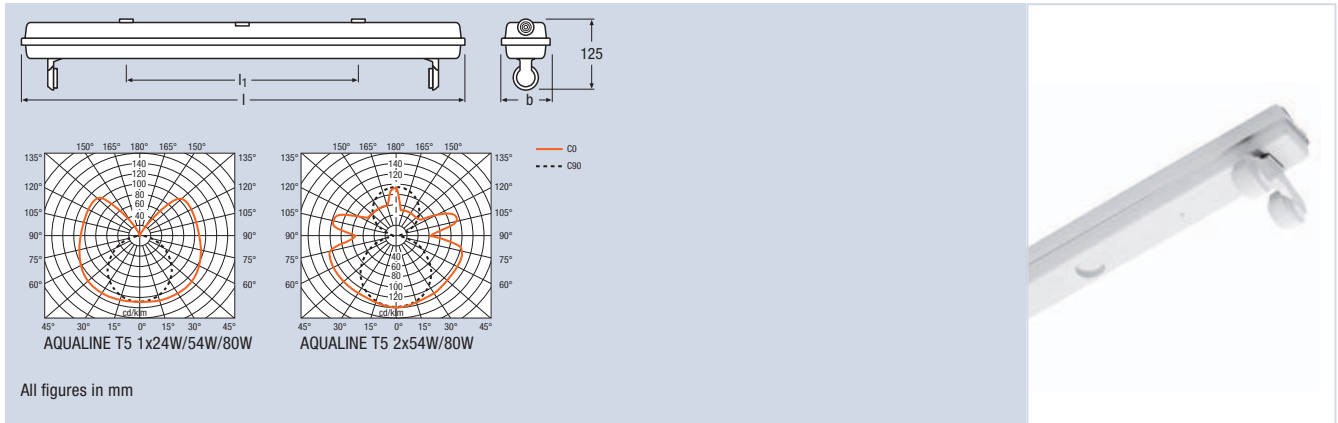
Damp-proof luminaire for low temperatures down to -30 °C for illuminating cold stores and winter sports facilities.

Features and benefits:

- Luminaire cover with prism structure made from polycarbonate, fastened with eight polyamide clips
- Suitable for 2 or 4 OSRAM DULUX® L SP lamps for low temperatures
- Integrated QTP-DL control gear (EEI = A2)
- Connection with 3-pin double plug terminal
- Indoor or outdoor use (only roofed areas)



AQUALINE® T5



All figures in mm

Product reference	Product number	COLOR	l [mm]	l ₁ [mm]	b [mm]	
AQUALINE® T5						
AQUALINE T5 RTP/R 1x24W	4008321 173744	gray	661	320	65	1x1
AQUALINE T5 RTP/R 1x54W	4008321 173751	gray	1271	900	65	1x1
AQUALINE T5 RTP/R 1x80W	4008321 173768	gray	1571	900	65	1x1
AQUALINE T5 RTP/R 2x54W	4008321 173799	gray	1271	900	122	1x1
AQUALINE T5 RTP/R 2x80W	4008321 173829	gray	1571	900	122	1x1

AQUALINE® is a jet-water-proof luminaire for use in damp and dusty environments with normal corrosion levels. It is therefore ideal for industrial and storage facilities, car parks and underpasses.

Features and benefits:

- Casing and cover made from polyester with fiber glass
- QTP5 (EEI = A2) Electronic Control Gear or QT-FQ (EEI = A2) Electronic Control Gear for 1x24W and 2x80W
- Suitable for LUMILUX® T5 HO CONSTANT fluorescent lamps



AQUALINE® T5 accessories

Product reference	Product number	
AQUALINE® T5 sleeve PC + rings		
AQUALINE T5 Sleeve PC + Rings 24W	4008321 185372	1x1
AQUALINE T5 Sleeve PC + Rings 54W	4008321 185402	1x1
AQUALINE T5 Sleeve PC + Rings 80W	4008321 185419	1x1



Product reference	Product number	
AQUALINE® T5 sleeve PMMA + rings		
AQUALINE T5 Oval Sleeve PMMA + Rings 24W	4008321 193919	1x1
AQUALINE T5 Oval Sleeve PMMA + Rings 54W	4008321 193926	1x1
AQUALINE T5 Oval Sleeve PMMA + Rings 80W	4008321 193971	1x1
Only for single lamp version		





INDOOR



Premium, powerful, reliable.

High-bay luminaires from OSRAM are the ideal solution for high-ceiling areas with demanding lighting requirements, e.g. in industrial buildings, warehouses and retail outlets. Designed for continuous operation, high-bay luminaires provide large amounts of high-quality light at all times. This is achieved with different photometric accessories as well as various lamp types and wattages, with which the high-bay luminaires can be adjusted to precisely match the application at hand.

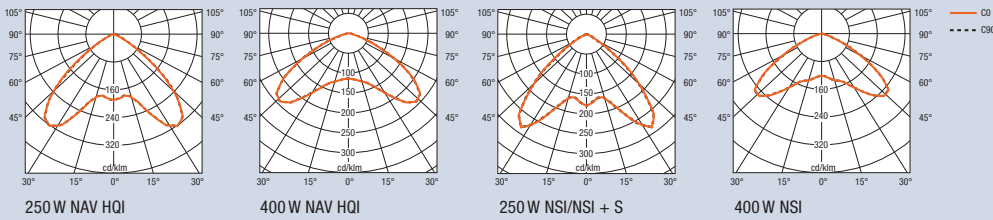
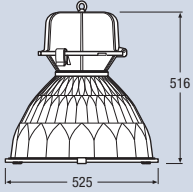
High-bay luminaires

GIGANTE® II

180



GIGANTE® II



All figures in mm



Product reference

Product number

COLOR

η_{LB}

W



GIGANTE® II

Product reference	Product number	COLOR	η_{LB}	W	Icon
GIGANTE II AZ 250W NAV HQI UNP	4008321 380234	anthracite	0.71	250	1x1
GIGANTE II AZ 250W NSI UNP	4008321 380241	anthracite	0.58	250	1x1
GIGANTE II AZ 250W NSI+S UNP	4008321 380258	anthracite	0.58	250	1x1
GIGANTE II AZ 400W NAV HQI UNP	4008321 380265	anthracite	0.71	400	1x1
GIGANTE II AZ 400W NSI UNP	4008321 380272	anthracite	0.58	400	1x1


The GIGANTE® II industrial luminaire is suitable for indoor and roofed-area outdoor applications such as warehouses, production lines, high-ceiling retail outlets. High luminous efficacy can be achieved if fitted with an HQI® or NAV® lamp.

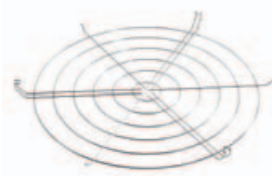
Features and benefits:

- Die-cast anthracite aluminum casing with aluminum reflector
- IP65 version with glass cover, steel clamps and safety chain
- Versions for NAV® high-pressure sodium lamps, HQI® metal halide lamps (not included)
- The product range includes a version with an E27 holder to take an emergency light source (HQI® NSI 250W + S)
- Casings with integrated control gear
- Casing, reflector, glass cover and protective grid must be ordered separately
- Connection with 3-pin double plug terminal
- In case of using a non-protected lamp, the luminaire has to be used with protective glass



GIGANTE® II accessories

Product reference	Product number	COLOR	
GIGANTE® II accessories			
GIGANTE II glass cover	4008321 380302	–	4x1
GIGANTE II protection grid	4008321 543189	–	1x1
GIGANTE II wide reflector	4008321 380326	aluminum	4x1





Functional, fancy, fabulous.

For reading and working in offices, workshops or hobby basements, table lights must be one thing above all: functional. In addition, however, design also plays a prominent role in today's modern office and living spaces. Table lights from OSRAM combine both: maximum functionality and high-quality design. Moreover, they also offer a high level of flexibility and their low energy consumption helps you save costs.

Table lights

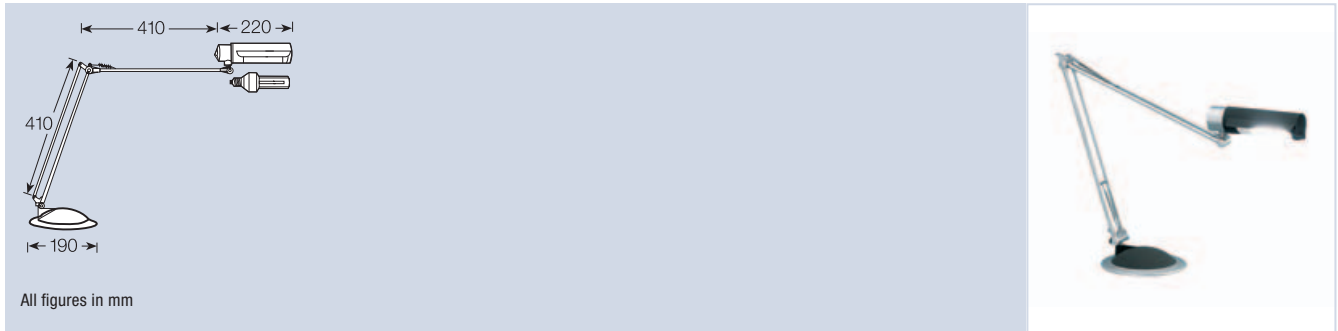
OSRAM DULUX® TABLE EL

184



TABLE LIGHTS

OSRAM DULUX® TABLE EL

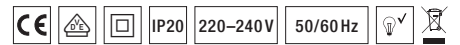


All figures in mm

Product reference	Product number	COLOR	W	K	l [mm]	h [mm]	d [mm]		
OSRAM DULUX® TABLE EL									
DULUX TABLE EL	4050300478357	silver	18	2700	625	537	90	E27	4x1

Features and benefits:

- Compact luminaire with anti-glare guard
- Adjustable spring-mounted arm in rotary base
- Double tube arm
- Ready to install with 2 m of cable and plug
- Equipped with an OSRAM DULUX® EL LONGLIFE 18W CFL







Child-oriented, comforting, cozy.

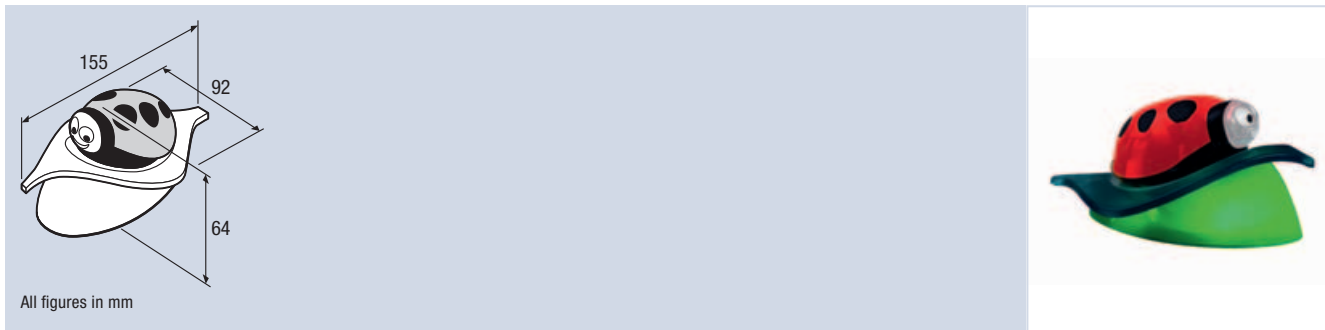
What have a ladybug and a space rocket to do with state-of-the-art lighting technology? Just turn the page and you will see. Modern energy-saving LED lighting solutions are now available for the little ones too. LED nightlights from OSRAM improve safety and orientation in every child's room. In addition, they provide a high level of comfort by creating a warm and cozy atmosphere and offer a number of special features, ensuring that both parents and children have a pleasant night.

Nightlights

BEETLED®	188
ORBIS®	189
LUNETTA® LED and LUNETTA® LED Colormix	190
NIGHTLUX®	191



BEETLED®



Product reference	Product number	COLOR	t[h]	W	K	°	Icons
BEETLED®							
BEETLED EU	4008321421517	red/green	20000	1.5	7000	15	4x1

The ladybug-shaped LED nightlight creates a pleasant calm atmosphere in children's bedrooms. The luminaire contains a safety light and the top can be removed and used as a flashlight.

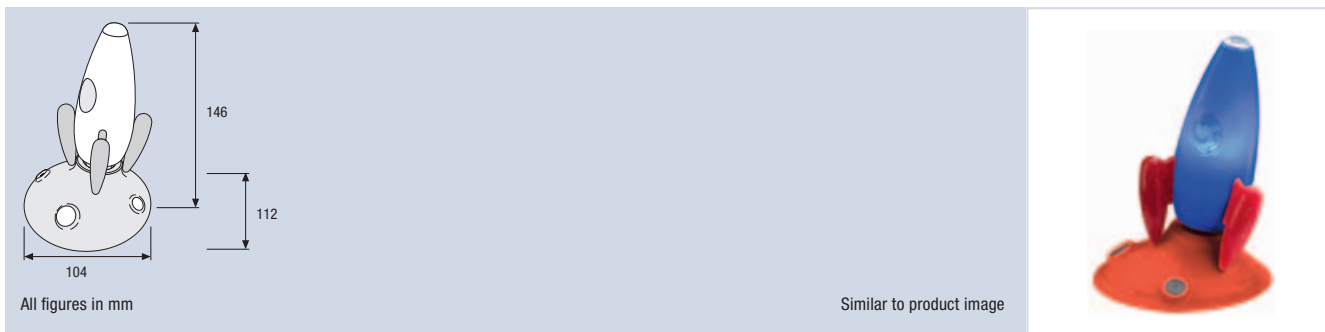
Features and benefits:

- Combination of nightlight and flashlight
- Emergency backup light during power outage
- Child-friendly and appealing design with a robust construction
- Night/day sensor
- Battery runtime up to 5 hours



Photo: www.rs fotografie.de

ORBIS®



All figures in mm

Similar to product image

Product reference	Product number	COLOR	t[h]	W	K	°	Icons
ORBIS®							
ORBIS EU	4008321 445476	red/white	20000	1.5	7000	15	4x1

The LED nightlight in the shape of a space rocket creates a pleasant calm atmosphere in children's bedrooms. The additional flashlight function enables it to be used as a mobile light.

Features and benefits:

- Combination of nightlight and flashlight
- Emergency backup light during power outage
- Child-friendly and appealing design with a robust construction
- Night/day sensor
- Battery runtime up to 5 hours

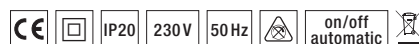
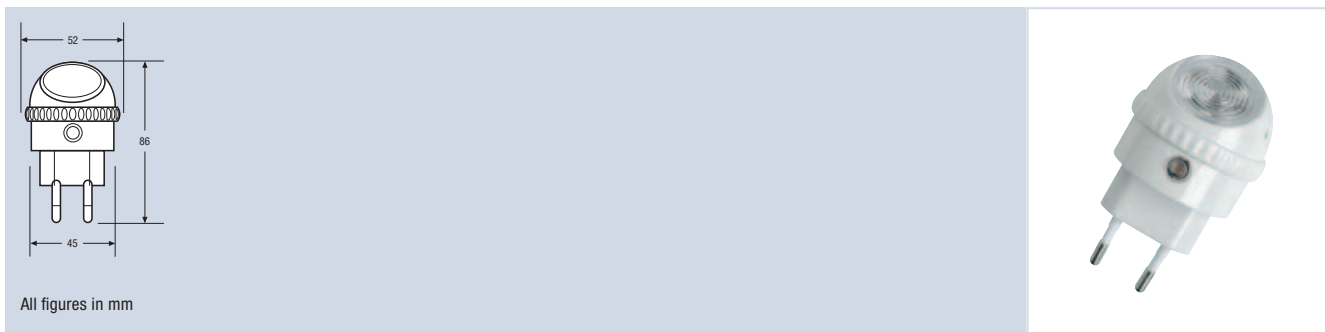


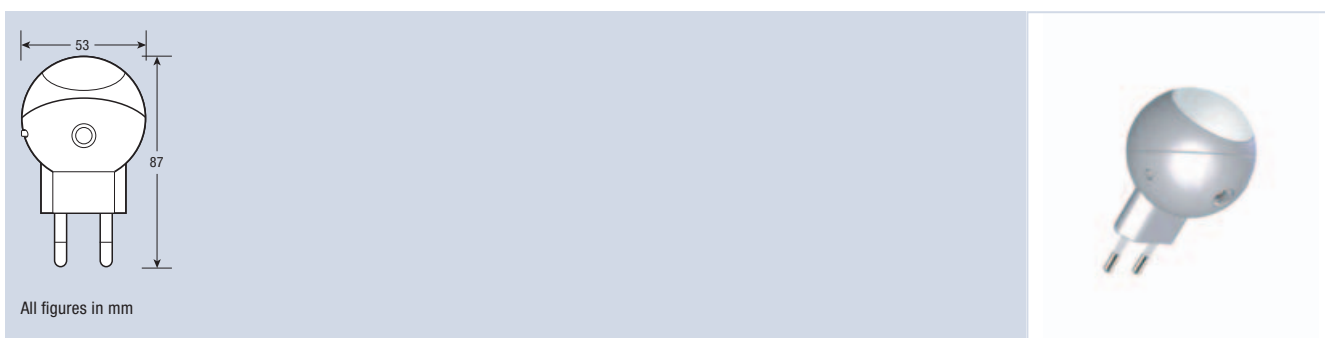
Photo: www.rs fotografie.de

LUNETTA® LED and LUNETTA® LED Colormix



All figures in mm

Product reference	Product number	COLOR	t[h]	W	°	Icons
LUNETTA® LED						
LUNETTA LED	4050300952505	white	20000	0.45	15	20x1



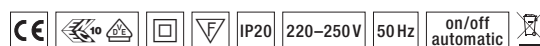
All figures in mm

Product reference	Product number	COLOR	t[h]	W	°	Icons
LUNETTA® LED Colormix						
LUNETTA LED Colormix	4008321053855	silver	20000	1.1	15	10x1

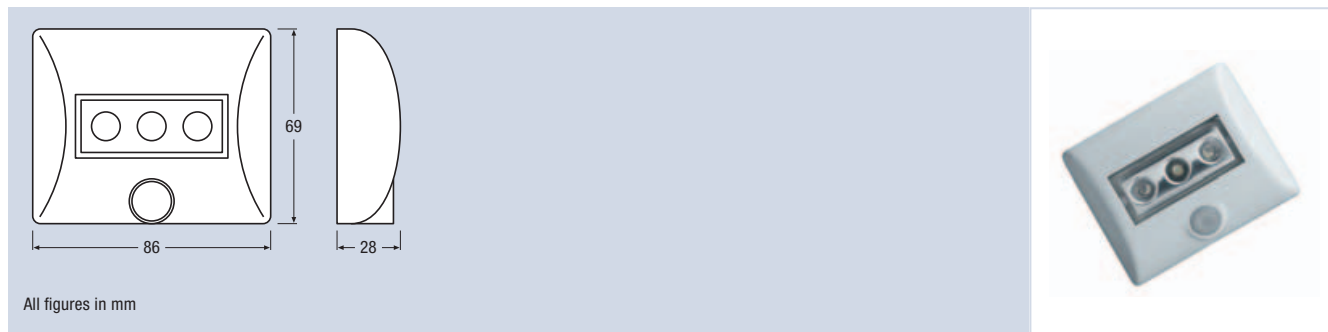
LUNETTA® LED are orientation lights completed with plugs. The integrated sensor controls the luminaire according to the amount of available ambient light. The head rotates through 360° so the light can be directed where it is needed. The prismatic cover ensures an even light distribution.

Features and benefits:

- Brightness sensor for automatic operation
- Rotary head (360°)
- Automatic color changing mode (LUNETTA® LED Colormix)



NIGHTLUX®



All figures in mm

Product reference	Product number	COLOR	t[h]	W	K	△°	📦
NIGHTLUX®							
NIGHTLUX white	4008321 376596	white	20000	0.3	7000	120	6x1
NIGHTLUX silver	4008321 985743	silver	20000	0.3	7000	120	6x1

The OSRAM NIGHTLUX® is weather-resistant, making it perfect for both indoor and outdoor use. This nightlight is easy to fit. It is a welcome guide providing safety, for example, on the landing outside children’s rooms or by the stairs. NIGHTLUX® is designed to focus its light on the lower third of any room. If mounted at hip height, NIGHTLUX® with its three LED lamps lights up every obstacle and thus minimizes the risk of accidents. It switches off automatically after either 10 or 60 seconds, you decide.

Features and benefits:

- Battery-operated dustproof and splashproof luminaire, suitable for indoor and outdoor applications
- Easy to install with screws, magnets or adhesive tape
- The LED luminaire can be swiveled up and down by 60 degrees
- Motion sensor and day/night sensor





Creative, flexible, ingenious.

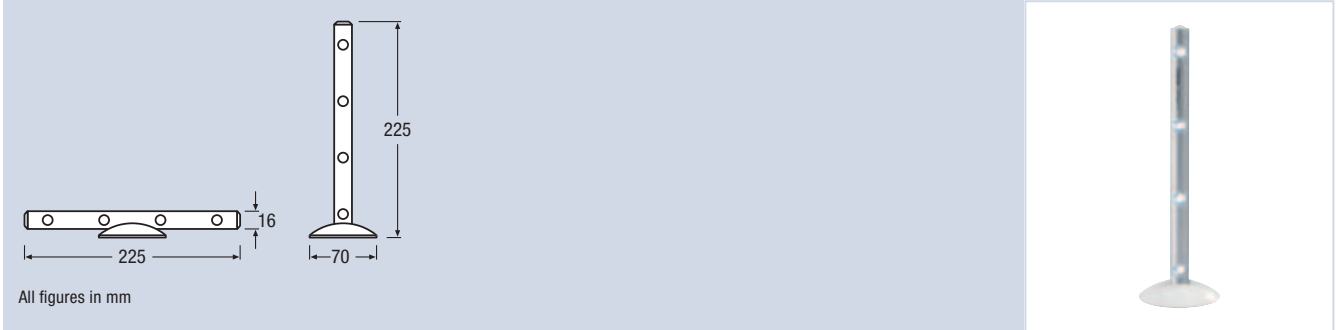
Mobile lighting solutions offer new and exciting ideas for lighting in the home or on the move. The mobile lights from OSRAM are compact, versatile and highly flexible. They come with extraordinary designs and some of them are even multifunctional. The product range includes both removable and portable lights designed for many different purposes. However, all have one thing in common: they make your life easier and more beautiful.

Mobile lights


LEDstixx®	194
SPYLUX®	195
DOT-it® Classic	196
DOT-it® VARIO	197
DOT-it® LINEAR VARIO	198
COPILOT®	199
SIRIUS® Large	200
SIRIUS® Medium	200
SIRIUS® Small	201
CROSSER® Tube	202
CROSSER® Multifunction	202
CROSSER® Spotlight	203
CROSSER® Micro	204
CROSSER® Small	204
CROSSER® Medium	205
CROSSER® Large	205
CAMPING ENERGY AUTOMATIC SI	206
CAMPING HALOGEN DIM SI	206



LEDstixx®



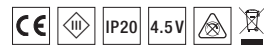
All figures in mm

Product reference	Product number	COLOR	W	K	
LEDstixx®					
LEDstixx	4008321951236	silver	1.2	7000	6x1

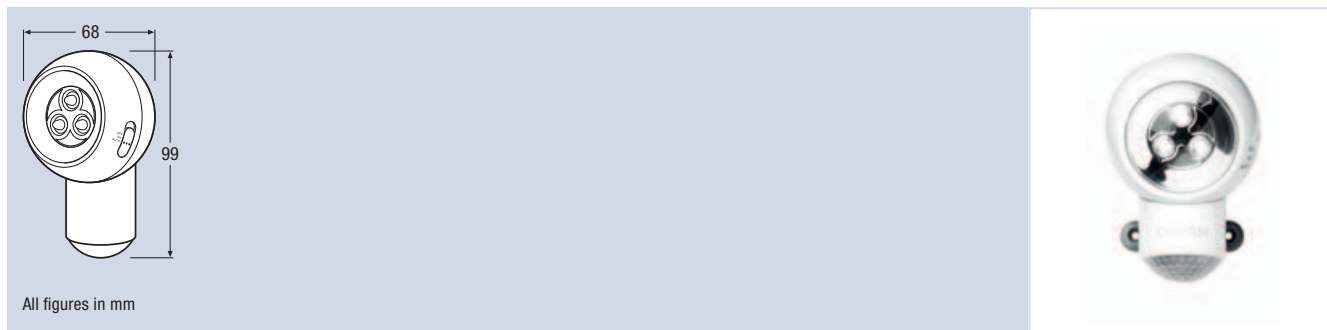
The new OSRAM LEDstixx® offers discerning design devotees a striking and decorative form of LED lighting. Measuring some 22 cm in length, the rounded silver light stick has four LEDs along its lateral side, lending it the look of a gleaming magic wand. With a multitude of different mounting options, it can conjure a glow around all those features that are crying out for accentuation. The innovative light-emitting diodes of the LEDstixx® always cast the right light in the right direction.

Features and benefits:

- High-quality aluminum housing
- Equipped with four white LEDs
- Horizontal or vertical alignment of walls and objects is possible
- Screws, magnet, adhesive foil



SPYLUX®



All figures in mm

Product reference	Product number	COLOR	W	K	
SPYLUX®					
SPYLUX	4008321935021	white	0.6	7000	6x1

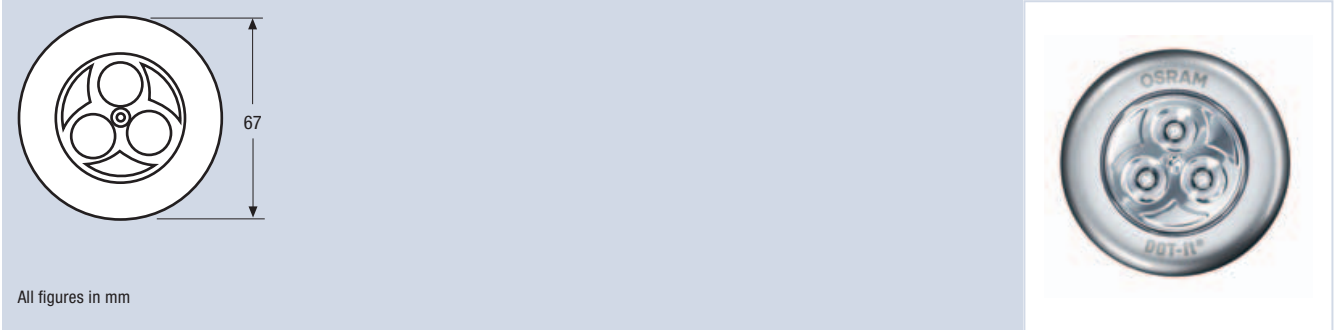
SPYLUX® – the battery-powered, spray-proof lamp from OSRAM reacts to even the slightest movement and makes rummaging around in the basement or the attic much easier thanks to a bright LED light. SPYLUX® can not only be fitted to almost anything using screws, glue or a magnetic fitting, but it also has a flexible moving head so you can point the light in any direction you want. SPYLUX® can be removed out of its holder and used as a torch. SPYLUX® also improves safety outside the house. The integrated movement sensor reacts to moving objects or people over a radius of up to four meters – making it ideal for exterior lighting on garages, garden sheds or holiday homes.

Features and benefits:

- Battery-powered, spray-proof light
- Screws, magnet, adhesive foil
- Integrated motion sensor
- Functions as a stand-alone torch
- 70° rotatable and 25° pivoting head
- Includes 3 x AAA batteries



DOT-it® Classic



All figures in mm

Product reference	Product number	COLOR	W	K	h (mm)	
DOT-it® Classic						
DOT-it Classic	4008321930491	silver	0.6	7000	22	6x1

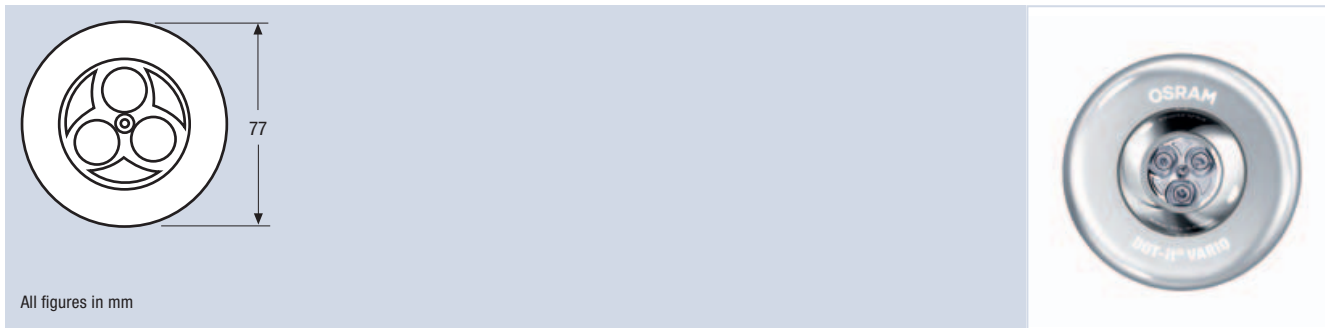
DOT-it® Classic – the ingenious bright everywhere light. The included adhesive pad, hook, magnet, and hook-and-loop pad offer multiple mounting options to this all-round talent. Thanks to the bayonet-style base, the batteries can be replaced more quickly and easily than ever before – no tools are needed. By the bed as a nightlight, in the car for reading, on school backpacks for safety, on the clothes as an accessory, in the garage, pantry, tent, attic, wardrobe or shed ... wherever light is needed, the DOT-it® Classic is the solution!

Features and benefits:

- With 3 super bright LEDs
- Mounting with adhesive pad, hook-and-loop pad, hook, or magnet
- Includes 3 replaceable 1.5 V MICRO batteries (AAA)
- Bayonet base for improved battery replacement
- Up to 100 hours of battery life



DOT-it® VARIO



All figures in mm

Product reference	Product number	COLOR	W	K	h (mm)	
DOT-it® VARIO						
DOT-it VARIO Platinum Silver	4008321930705	silver	0.6	7000	29	6x1

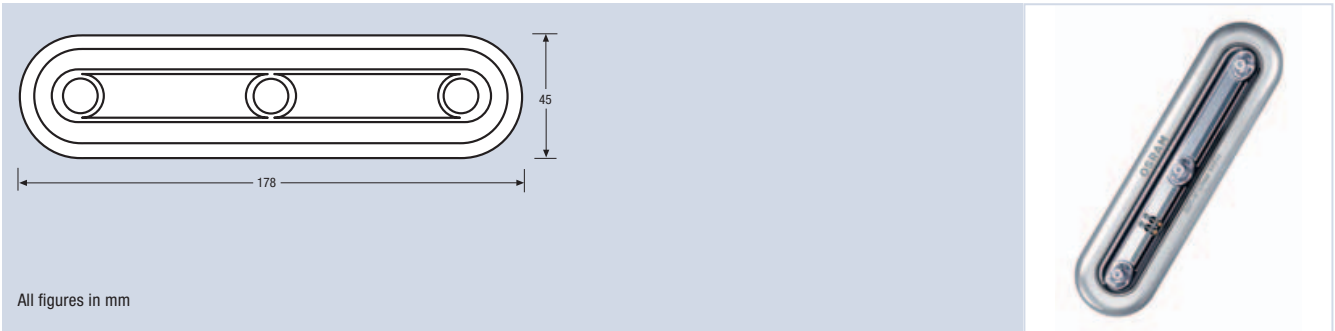
The DOT-it® VARIO is a directional tap light, which offers 360° of precise lighting. Simply twist the reflector 360° to direct which way the LED light illuminates. The batteries can easily be replaced using the bayonet battery door. Magnetic, adhesive, and hook-and-loop backing options allow for greater versatility in mounting. Perfect for precise spot illumination!

Features and benefits:

- 360° rotatable and tiltable reflector head for directional light
- With 3 super bright LEDs
- Mounting through adhesive pad, hook-and-loop pad, or magnet
- Includes 3 replaceable 1.5 V MICRO batteries (AAA)
- Bayonet base for easy battery replacement
- Up to 100 hours battery life



DOT-it® LINEAR VARIO



All figures in mm

Product reference	Product number	COLOR	W	K	h (mm)	
DOT-it® LINEAR VARIO						
DOT-it LINEAR VARIO Platinum Silver	4008321 930828	silver	0.6	7000	29	6x1

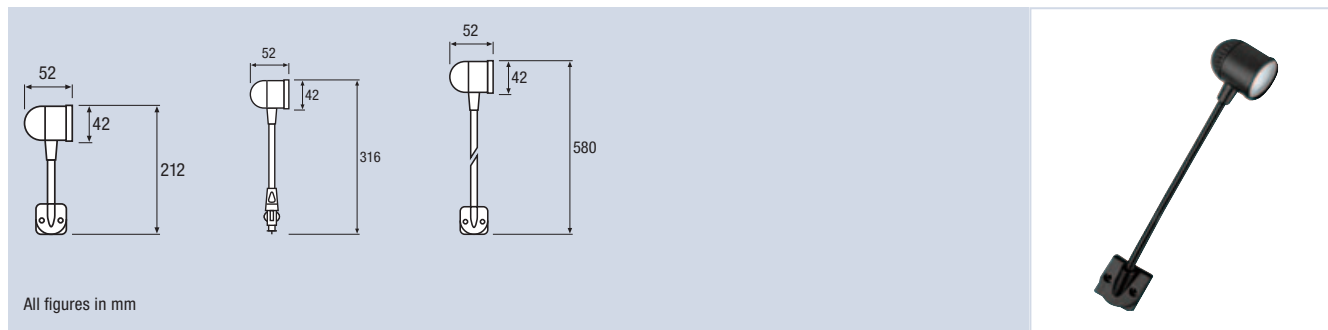
The DOT-it® LINEAR VARIO provides bi-directional, linear arranged LED light for a wider coverage area. The reflector can be slanted in two directions for a precise light beam. Just turn on the light by touching the sensor. The batteries can easily be replaced using the bayonet battery door. Magnetic, adhesive, and hook-and-loop backing options allow for greater versatility in mounting.

Features and benefits:


- Pivotal reflector head for directional light
- Features a touch on/off sensor
- With 3 super bright LEDs
- Mounting through adhesive pad, hook-and-loop pad, or magnet
- Includes 3 replaceable 1.5 V MICRO batteries (AAA)
- Bayonet base for easy battery replacement



COPILOT®



All figures in mm

Product reference	Product number	COLOR	V	W	
COPILOT®					
COPILOT-K	4050300010632	black	12	5	4x1
COPILOT-M	4050300016856	black	12	5	4x1
COPILOT-L	4050300014050	black	12	5	4x1
COPILOT-L 24	4050300014067	black	24	10	4x1

COPILOT® is a mobile reading light with a flexible arm, a head which can rotate through 360° and an integrated switch. It can be used in the home and in automobiles, commercial vehicles, boats, caravans and mobile homes. The MINIWATT® halogen lamp provides brilliant light.

Features and benefits:**COPILOT®-K:**

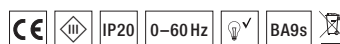
- 10 cm arm and base for fixed installation
- Complete with fixing kit ready for connection to a 12 V vehicle supply

COPILOT®-M:

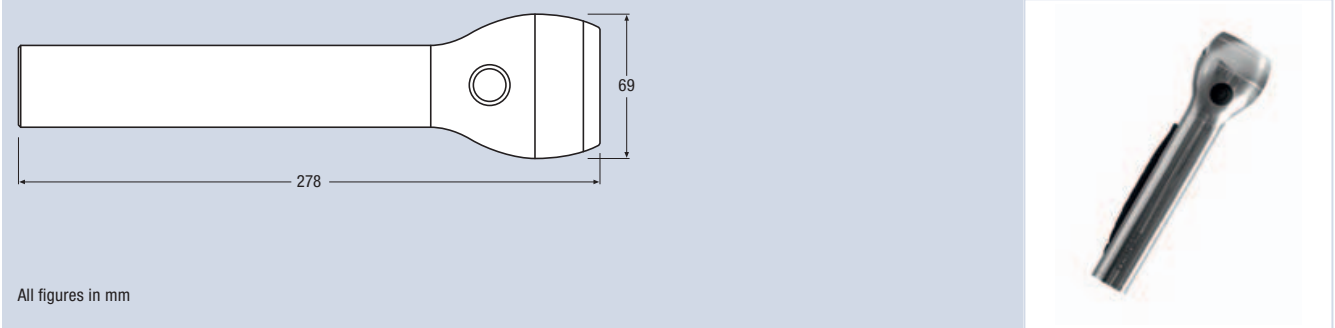
- 20 cm arm and base for fixed installation
- Ready for connection to a 12 V vehicle supply

COPILOT®-L:

- 50 cm arm and base for fixed installation
- Complete with fixing kit ready for connection to a 12 V vehicle supply
- Clip for holding the luminaire when not in use
- Also available for 24 V vehicle systems



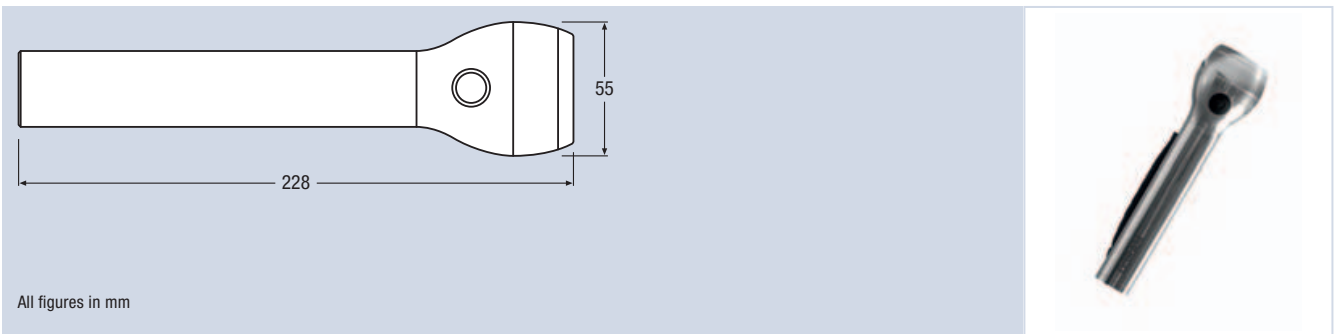
SIRIUS® Large




All figures in mm

Product reference	Product number	COLOR	W	K	
SIRIUS® Large					
SIRIUS Large	4008321957429	silver	2.7	6500	4x1

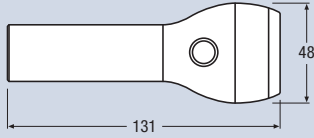
SIRIUS® Medium



All figures in mm

Product reference	Product number	COLOR	W	K	
SIRIUS® Medium					
SIRIUS Medium	4008321957399	silver	2.2	6500	6x1

SIRIUS® Small



All figures in mm



Product reference

Product number

COLOR

W

K



SIRIUS® Small

SIRIUS Small

4008321957368

silver

1.2

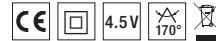
6500

6x1

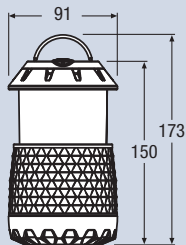
SIRIUS® torches with elegant silver-colored aluminum casing. The LED torch is available in three sizes: Large, Medium and Small. Each has an illuminated switch so you can find the torch easily in the dark. SIRIUS® torches are ideal around the home or in the car – and of course wherever design is an important consideration.

Features and benefits:

- OSRAM high-power LED
- High-class aluminum casing
- Illuminated switch



CROSSER® Tube



All figures in mm



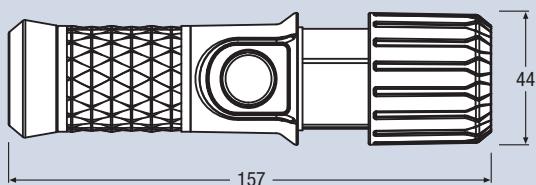
Product reference	Product number	COLOR	W	K	
CROSSER® Tube					
CROSSER Tube	4008321 957603	gray	2.2	6500	6x1

The dimmable (50 %) and robust camping lantern made of high-grade plastic, equipped with modern high-power LEDs from OSRAM. A practical camping lantern with a pull-out head, ideal for leisure and Outdoor activities.

Features and benefits:

- OSRAM high-power LED
- Robust, high-quality plastic casing
- Non-slip rubber grip
- Dimmable
- Pull-out head

CROSSER® Multifunction



All figures in mm



Product reference	Product number	COLOR	W	K	
CROSSER® Multifunction					
CROSSER Multifunction	4008321 957573	gray	1.2	6500	6x1

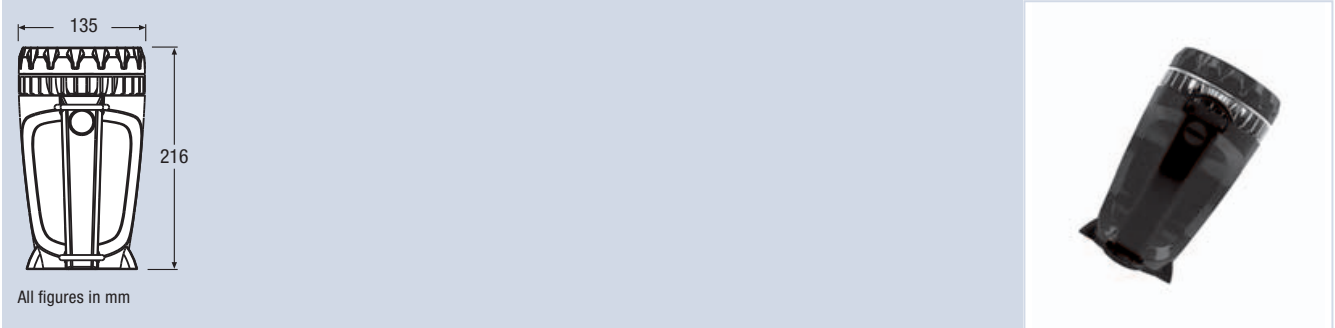
The dimmable (50 %) and robust torch made of high-grade plastic, equipped with modern high-power LEDs from OSRAM. With its flashing function, pull-out head and magnet for attachment, it is a real everyday all-rounder with so many uses.

Features and benefits:

- OSRAM high-power LED
- Robust, high-quality plastic casing
- Non-slip rubber grip
- Flashing function
- Pull-out head
- Magnet



CROSSER® Spotlight



Product reference

Product number

COLOR

W

K

**CROSSER® Spotlight**

CROSSER Spotlight

4008321957634

gray

3.3

6500

6x1

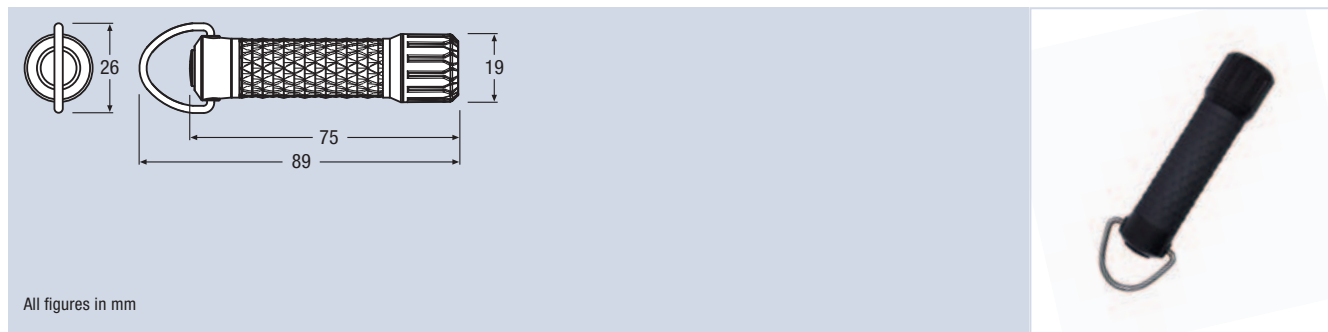
The powerful dimmable (50 %) and robust torch made of high-grade plastic, equipped with modern high-power LEDs from OSRAM. With its directional head and shoulder strap, it is ideal for leisure and Outdoor activities.

Features and benefits:


- OSRAM high-power LED
- Robust, high-quality plastic casing
- Non-slip rubber grip
- Dimmable
- Directional head
- Shoulder strap



CROSSER® Micro



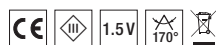
All figures in mm

Product reference	Product number	COLOR	W	K	
CROSSER® Micro					
CROSSER Micro	4008321957450	gray	0.5	6500	6x1

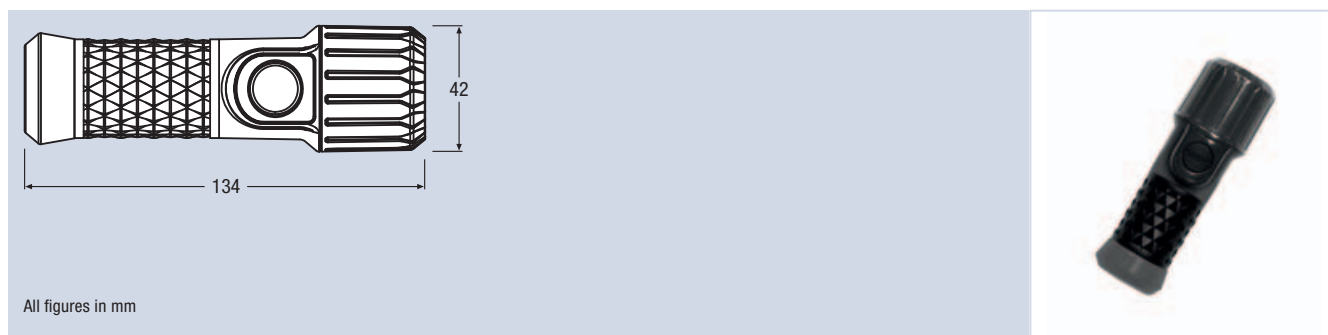
The extra small and robust torch made of high-grade plastic, equipped with modern high-power LEDs from OSRAM. The smallest of the CROSSER® range has a key ring and is ideal for everyday use. Supplied complete with battery.

Features and benefits:

- OSRAM high-power LED
- Robust, high-quality plastic casing
- Non-slip rubber grip
- Impressively small



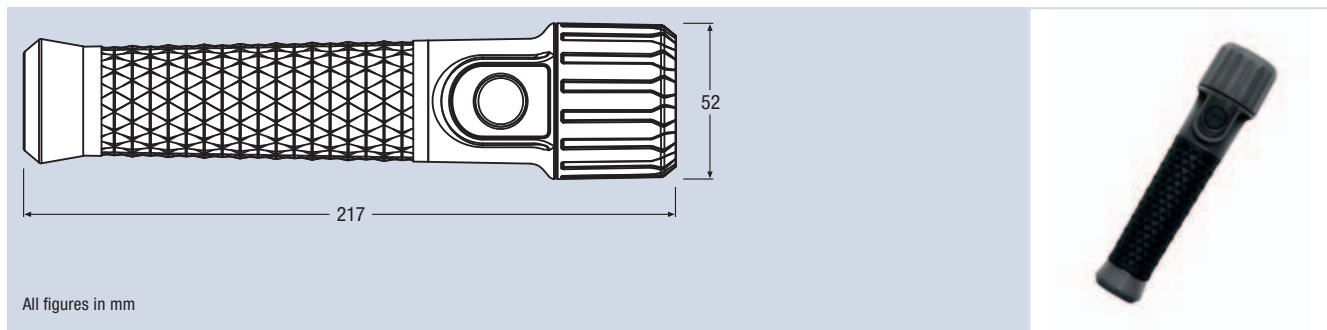
CROSSER® Small



All figures in mm

Product reference	Product number	COLOR	W	K	
CROSSER® Small					
CROSSER Small	4008321957481	gray	1.2	6500	6x1

CROSSER® Medium



All figures in mm

Product
referenceProduct
number

COLOR

W

K

**CROSSER® Medium**

CROSSER Medium

4008321957511

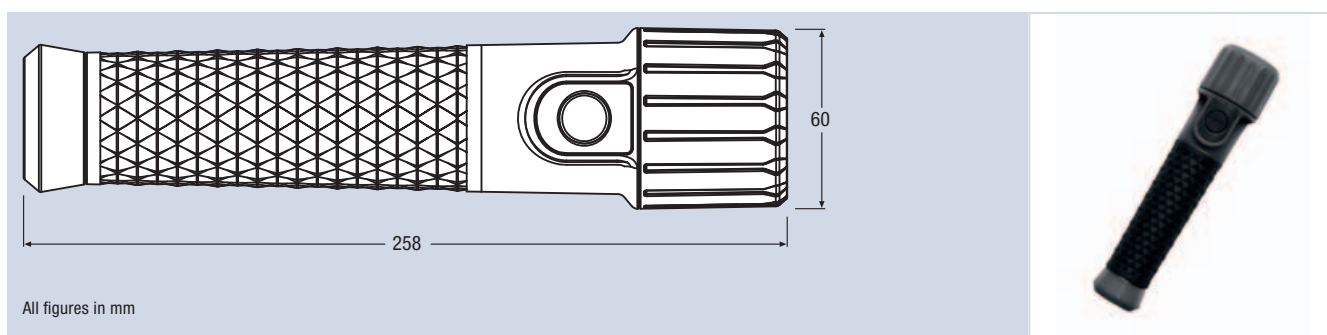
gray

2.2

6500

6x1

CROSSER® Large



All figures in mm

Product
referenceProduct
number

COLOR

W

K

**CROSSER® Large**

CROSSER Large

4008321957542

gray

2.7

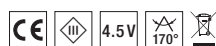
6500

6x1

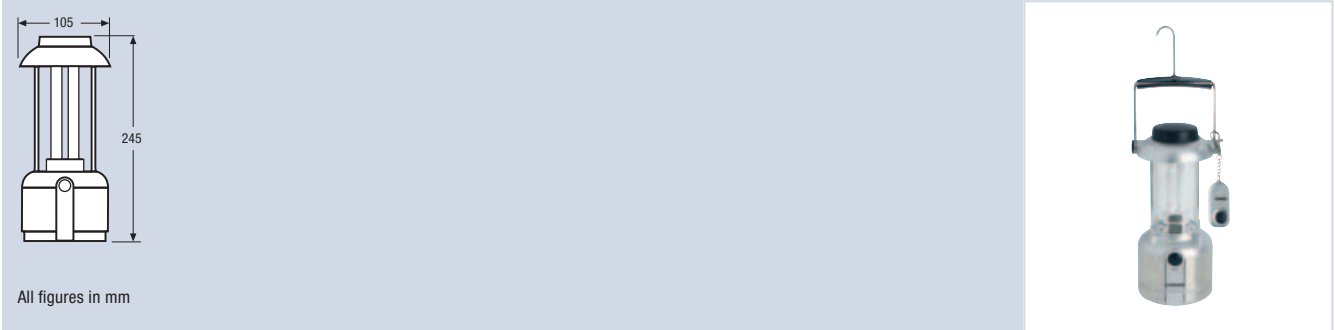
Robust quality with high-grade plastic, equipped with modern high-power LEDs from OSRAM. Ideal for leisure and Outdoor activities. The range comprises 3 sizes (Large/Medium/Small), with the right product for every application at home, in the workshop or on holiday.

Features and benefits:


- OSRAM high-power LED
- Robust, high-quality plastic casing
- Non-slip rubber grip



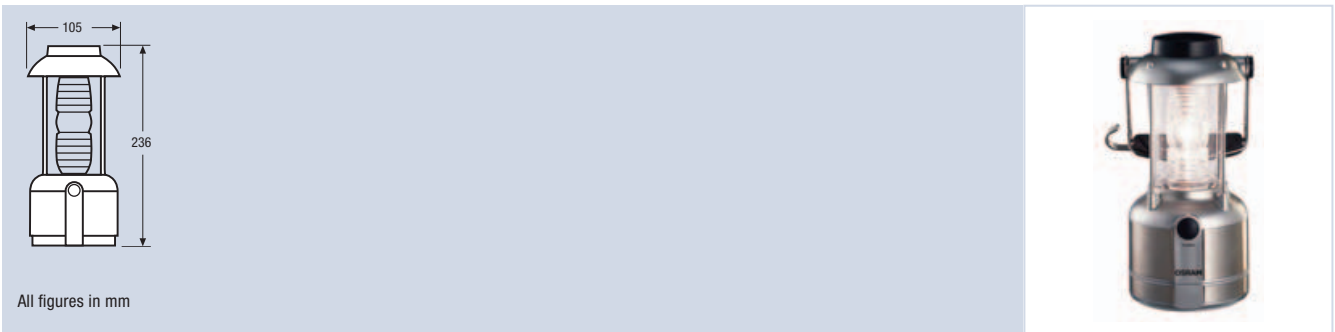
CAMPING ENERGY AUTOMATIC SI




All figures in mm

Product reference	Product number	COLOR	W	
CAMPING ENERGY AUTOMATIC SI				
CAMPING ENERGY AUTOMATIC SI	4050300776057	silver	7.0	6x1

CAMPING HALOGEN DIM SI



All figures in mm

Product reference	Product number	COLOR	W	
CAMPING HALOGEN DIM SI				
CAMPING HALOGEN DIM SI	4050300900063	silver	4.4	6x1

CAMPING ENERGY AUTOMATIC SI and CAMPING HALOGEN DIM SI are modern camping lanterns in a high-quality design.

Features and benefits:

- Robust steel/plastic casing
- Practical carrying handle and hanging hook
- Batteries required: 4 x 1.5V LR 20 D

CAMPING ENERGY AUTOMATIC SI

- With 7 W energy-saving lamp for wide-area work light
- Remote control for stand-by mode
- Equipped with OSRAM DULUX S/E lamp

CAMPING HALOGEN DIM SI

- For brilliant white halogen light
- 4 levels: 100 %, 70 %, 35 %, 8 %
- Equipped with MINIWATT 6406310 lamp







Multitalented, colorful, appealing.

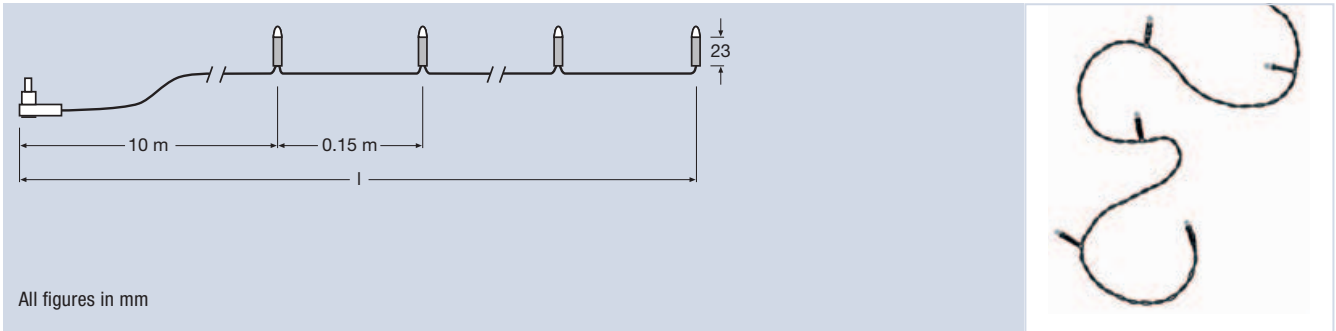
Whether in the finest restaurants or the simplest beer gardens, success is measured by how much people enjoy their time there. After all, if you feel good about a place, you'll enjoy coming back. White, colored and color-changing garlands of light create a friendly, relaxed atmosphere and make any venue more attractive. And with innovative LED technology, they are also extremely economical.

Garlands

LED garlands	210
LED garlands – colored	211
LED garlands – color changing	212
Christmas candle garlands	213



LED garlands



All figures in mm

Product reference	Product number	COLOR		W			
LED garlands – cold white and warm white							
LK 40 LED COLD WHITE	4050300824062	dark green	cold white	5	15.85	40	6x1
LK 80 LED COLD WHITE	4050300824086	dark green	cold white	7	21.85	80	6x1
LK 120 LED COLD WHITE	4008321208385	dark green	cold white	8	27.70	120	4x1
LK 320 LED COLD WHITE	4008321208408	dark green	cold white	13	61.50	320	4x1
LK 40 LED WARM WHITE	4008321060907	dark green	warm white	5	15.85	40	6x1
LK 80 LED WARM WHITE	4008321060921	dark green	warm white	7	21.85	80	6x1
LK 120 LED WARM WHITE	4008321070937	dark green	warm white	8	27.70	120	4x1
LK 320 LED WARM WHITE	4008321208521	dark green	warm white	13	61.50	320	4x1

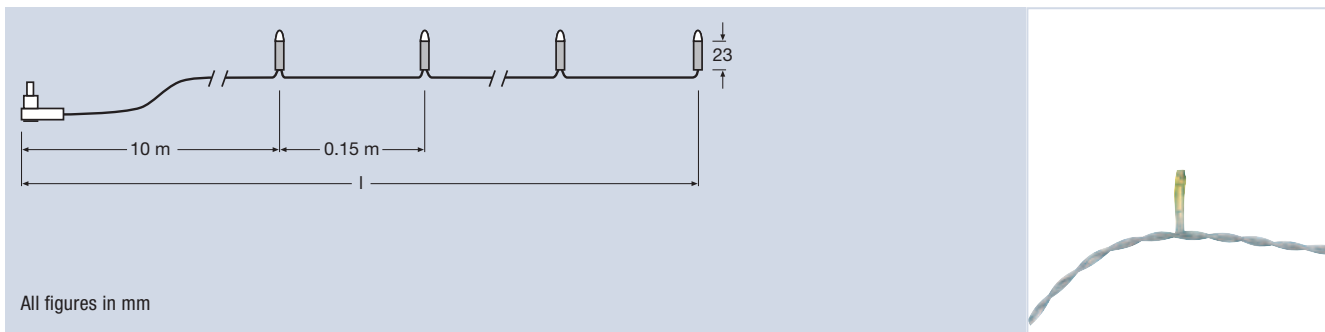
Wherever you are celebrating – in the garden or in your home – and whether it’s a birthday, Christmas or just a gathering of friends, the right lighting can make all the difference. With versatile high-quality garlands from OSRAM, there are so many ways you can add a little atmosphere.

Features and benefits:

- Flicker-free light for indoor or Outdoor lighting
- Available in warm white and cold white light colors
- Low energy consumption and extremely durable thanks to LED technology
- Low thermal output, ideal for trees and bushes
- With 40, 80, 120 or 320 LEDs
- 24 V transformer with 10 m cable



LED garlands – colored



All figures in mm

Product reference	Product number	COLOR		W			
LED garlands – colored							
LK 80 LED BLUE	4008321214126	transparent	blue	7	21.85	80	6x1
LK 80 LED PINK	4008321214041	transparent	pink	7	21.85	80	6x1
LK 80 LED YELLOW	4008321208422	transparent	yellow	7	21.85	80	6x1

Simple application and available in different light colors. For Halloween, during Advent and into the New Year and on the patio over the summer months – the reliable and economical colored LED garlands from OSRAM create the right mood right through the year.

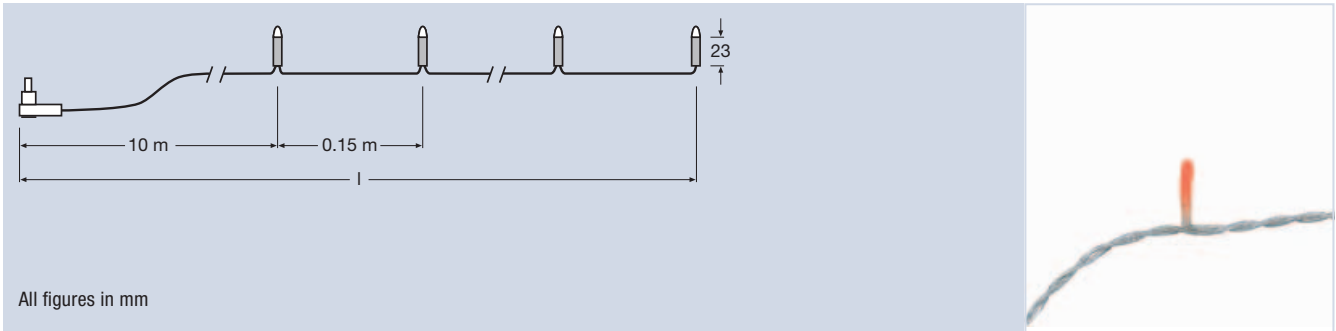
Features and benefits:

- Equipped with flicker-free LEDs
- With 40 or 80 LEDs
- 24 V transformer with 10 m cable, suitable for indoor and Outdoor applications
- LED spacing 0.15 m
- Robust, energy-saving and extremely durable thanks to LED technology
- Low thermal output, ideal for trees and bushes



INDOOR

LED garlands – color changing



All figures in mm

Product reference	Product number	COLOR		W			
LED garlands – color changing							
LK 40 LED COLOR CHANGING	4008321 088413	transparent	color changing ¹⁾	max. 5	15.85	40	6x1
LK 80 LED COLOR CHANGING	4008321 088437	transparent	color changing ¹⁾	max. 7	21.85	80	6x1

¹⁾ Multi-color changes with rapid transitions

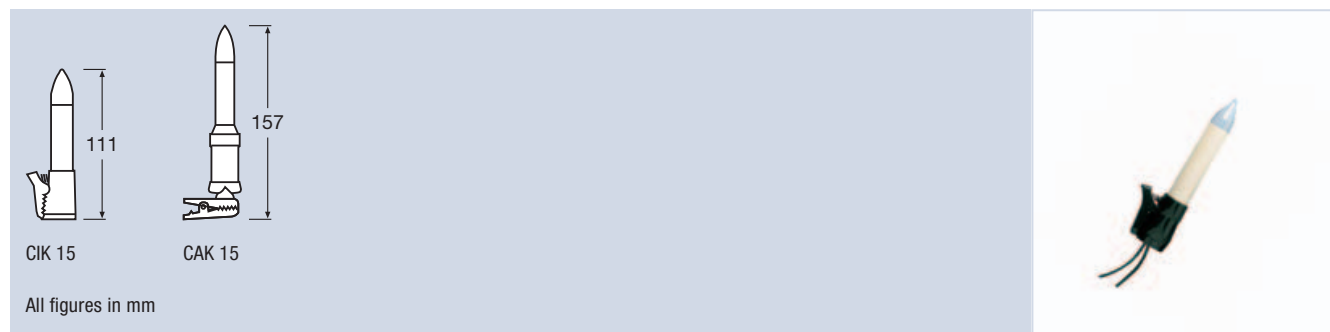
LED garlands are real all-rounders and are also available with RGB LEDs. Garlands with color changing LEDs are a highlight at any party.

Features and benefits:

- Equipped with flicker-free LEDs
- With 40 or 80 LEDs
- 24V transformer with 10 m cable, suitable for indoor and Outdoor applications
- LED spacing 0.15 m
- Robust, low energy consumption and extremely durable
- Low thermal output, ideal for trees and bushes



Christmas candle garlands



CIK 15

CAK 15

All figures in mm

Product reference	Product number	COLOR		W		IP	
Christmas candles, indoor, 15 lamps							
CIK 15	4050300003344	dark green	warm white	15x3	15	IP20	10x1
Christmas candles, outdoor, 15 lamps							
CAK 15	4050300003375	dark green	warm white	15x7	15	IP43	5x1

OSRAM Christmas garlands create a festive atmosphere with their candle-like appearance and brighten up the darkest weeks of the year. The lamps are designed to look like traditional Christmas candles with a translucent wax-like shaft, bringing festive cheer indoors or outdoors.

Features and benefits:

- Tried and tested OSRAM quality: durable and safe (VDE-tested)
- Spare lamps/candles, sealing rings and clamps available as accessories

CIK – for indoor use:




- Overall garland length 11 m
- For Christmas trees up to 1.8 m high
- Vertical clamps

CAK – for outdoor use:

- Overall garland length 17 m
- For Christmas trees up to 3 m high
- Horizontal clamps
- Splashproof lamps
- Splittable plug for simple chaining



Accessories

Product reference	Product number			W	h (mm)	
Replacement candles/lamps*						
CIK 15	40503000 50423	warm white	E10	3	101	20x2
CIK 15	40503000 853147	warm white	E10	3	101	60x10
CAK 15	40503000 50386	warm white	E14	7	107	20x2
CAK 15	40503000 831411	warm white	E14	7	107	72x10
CAK 15	4008321 903945	warm white	E14	7	107	210x1
* For use with Christmas candles						




The replacement candles, available as accessories, enable these high-quality garlands to remain in use year after year after year. The bridges in the candle shaft ensures that if one candle fails, the other candles continue to burn.

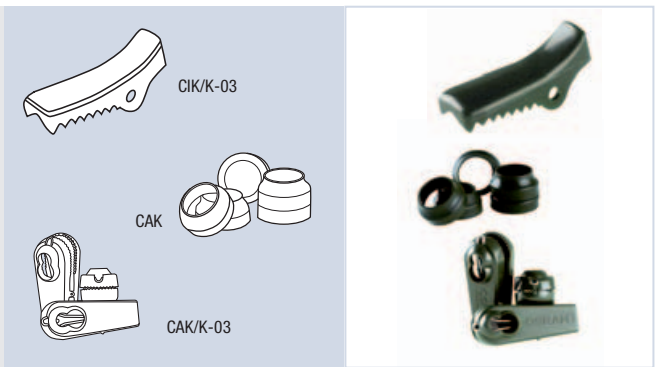
Features and benefits:

- Available for Christmas candle garlands for indoors and outdoors
- Tried and tested OSRAM quality: durable and safe (VDE-tested)
- Extremely robust



Accessories

Product reference	Product number	
Replacement clamps* and sealing rings*		
CAK/K-03	40503002 13774	50x3
CIK/ K-03	40503000 18058	50x3
CAK	40503000 18119	50x3
WLA	40503004 37224	50x3
* For use with Christmas candles		



The accessories enable these high-quality garlands to remain in use year after year after year. The sealing ring on the candle shaft is important for protecting the candles against rain. If a sealing ring is damaged, it should be replaced immediately. The replacement clamps provide a secure hold.

Features and benefits:

- Available for Christmas candle garlands for indoors and outdoors
- Tried and tested OSRAM quality: durable and safe (VDE-tested)
- Extremely robust

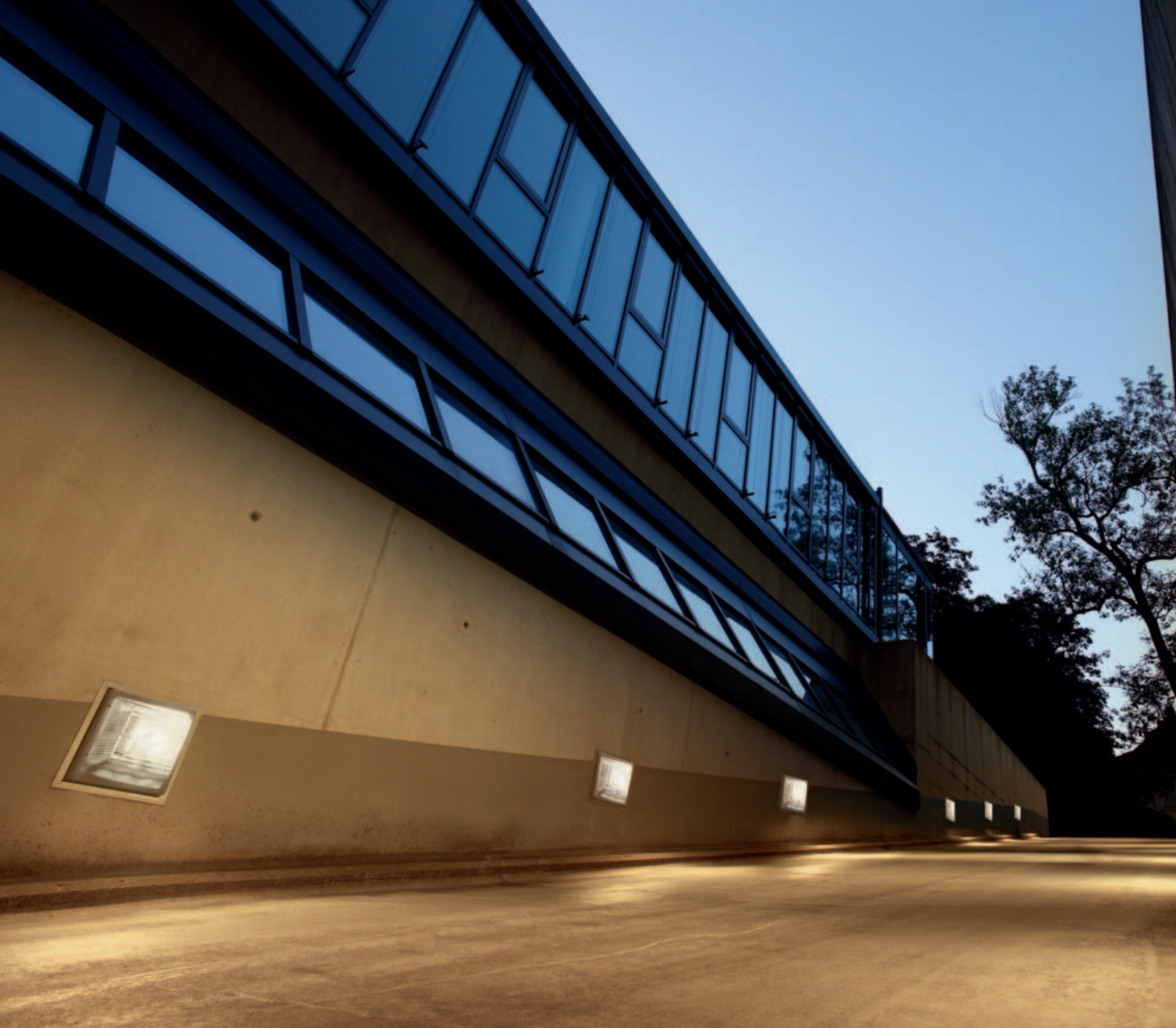






Outdoor

Wall-mounted luminaires	219
Facade & path luminaires	233
Town & park luminaires	247
Road luminaires	265
Projectors & floodlights	271



Reliable, robust, weather-resistant.

Wall-mounted luminaires are needed almost anywhere you look – on facades, in stairwells and passageways, in courtyard entrances and doorways, under canopies and in open-air car parks. Wall-mounted luminaires from OSRAM are the perfect choice for homeowners, building contractors, property management and owner’s associations who want functional lighting at the point where the outside and inside of private or public buildings meet. These attractive luminaires provide a high level of security. Good visibility at night not only protects against accidents but also deters potential perpetrators.

Wall-mounted luminaires

TARTUGA®	220
QUADROLA®	221
APPLICA®	222
BULKHEAD	223
LUMILUX BRIK® EL	226
DULUX BRIK® EL	227
NOXLITE® LED SPOT	228
NOXLITE® LED SPOT Sensor	229
NOXLITE® LED WALL	230



TARTUGA®

All figures in mm

TARTUGA-L

Product reference	Product number	COLOR	W	V	Hz		
TARTUGA®-L							
TARTUGA-L BK	4008321605177	black	max. 52	230	50	E27	4x1
TARTUGA-L CD	4008321605191	forge-gray	max. 52	230	50	E27	4x1

All figures in mm

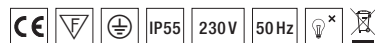
TARTUGA-S

Product reference	Product number	COLOR	W	V	Hz		
TARTUGA®-S							
TARTUGA-S BK	4008321605214	black	max. 52	230	50	E27	4x1
TARTUGA-S CD	4008321605252	forge-gray	max. 52	230	50	E27	4x1

Features and benefits:

- Corrosion-resistant wall luminaire
- Attractive retro design to match the ORTASA® bollard light for aesthetically harmonious installations
- Powder-coated body and die-cast aluminum grid
- Stainless steel screws
- Two cable glands with M16 threads for series installation/through-wiring

- Pressed glass diffuser with durable silicone gasket
- Available in black (RAL 9011) and forge-gray
- Small (S) and large (L) versions
- For outdoor and indoor use



QUADROLA®

QUADROLA CFL

All figures in mm

Product reference	Product number	COLOR	W	V	Hz		
QUADROLA® CFL							
QUADROLA CFL BK	4008321605092	black	max. 24	220–240	50–60	E27	2x1
QUADROLA CFL CD	4008321605139	white	max. 24	220–240	50–60	E27	2x1

QUADROLA NAV

All figures in mm

Product reference	Product number	COLOR	W	V	Hz		
QUADROLA® NAV®							
QUADROLA NAV BK	4008321605115	black	70	230	50	E27	2x1
QUADROLA NAV CD	4008321605153	white	70	230	50	E27	2x1

Features and benefits:

- Vandal-proof and corrosion-resistant wall luminaire
- Reflector plate for good luminous efficacy
- Powder-coated body made from sheet steel, frame made from die-cast aluminum
- All screws are made of stainless steel
- Diffuser made of non-yellowing, impact-resistant polycarbonate

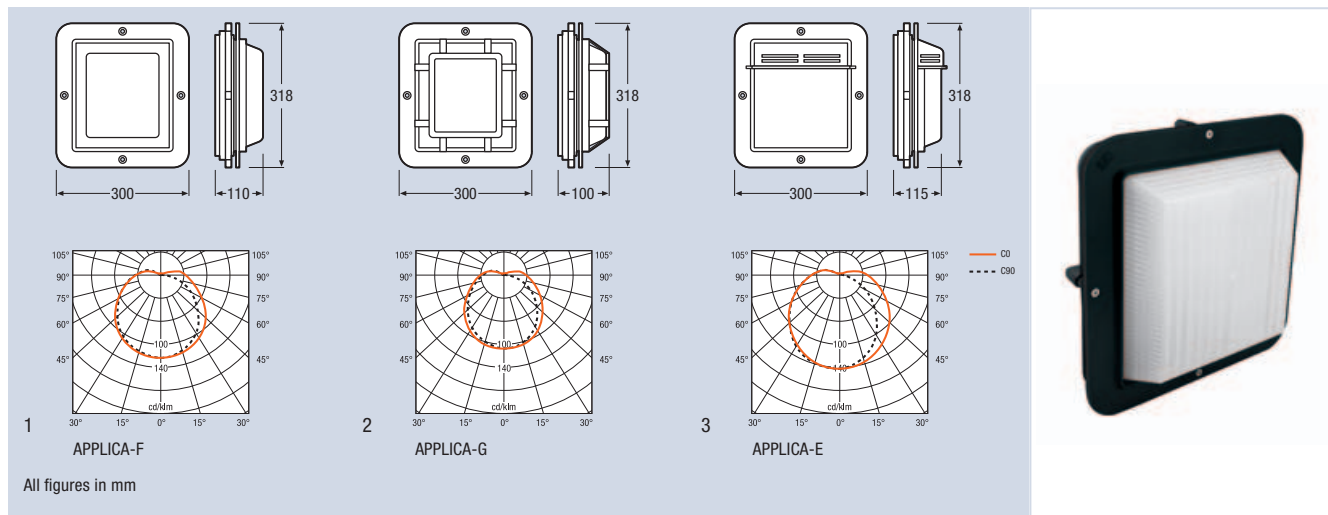
- Available for compact fluorescent lamps and sodium vapor lamps
- Available in black (RAL 9011) and white (RAL 9016)
- For outdoor and indoor use



QUADROLA® CFL: 220–240V 50–60 Hz

QUADROLA® NAV®: 230V 50 Hz

APPLICA®



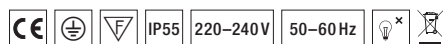
All figures in mm

Product reference	Product number	COLOR	W	V	Hz			
APPLICA®								
APPLICA-F (Flat)	4008321606150	black	max. 24	220-240	50-60	E27	2x1	1
APPLICA-G (Grid)	4008321606198	black	max. 24	220-240	50-60	E27	2x1	2
APPLICA-E (Eyelid)	4008321606174	black	max. 24	220-240	50-60	E27	2x1	3

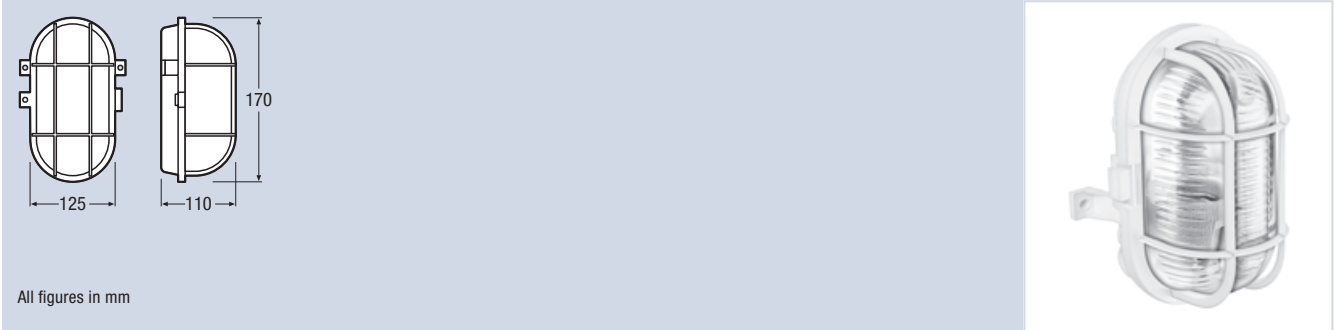
The frame of this robust luminaire makes all the difference. Inside, all three models are identical. It is the frame that offers different design options. The luminaires are corrosion-resistant and highly impact-resistant and stable thanks to their robust frame.

Features and benefits:

- Three different designs – eyelid, grid and free-diffuser design
- Reflector plate for good luminous efficacy
- Corrosion-resistant, powder-coated body made from sheet steel and die-cast aluminum
- All screws are made of stainless steel
- Diffuser made of non-yellowing, impact-resistant polycarbonate
- Available in black (RAL 9011)
- For Outdoor and indoor use
- Decorative lighting, e.g. for buildings, entrance areas, terraces and car parks

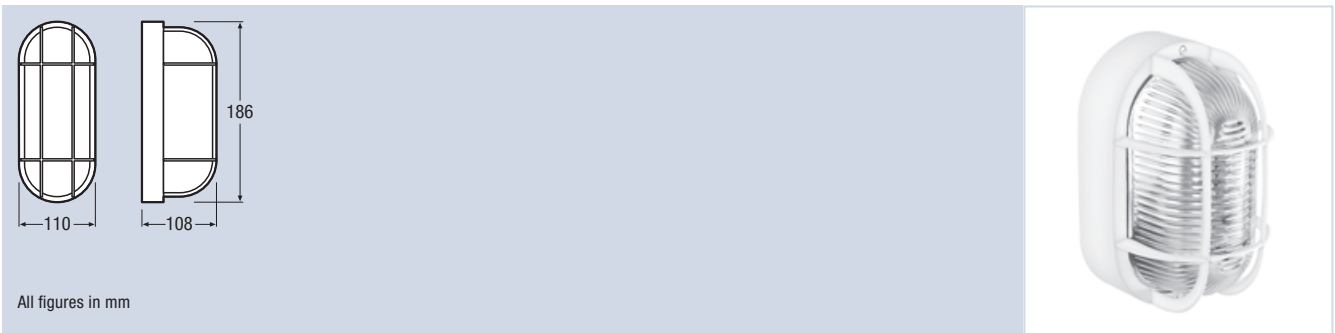


BULKHEAD



All figures in mm

Product reference	Product number	COLOR	W	V	Hz		
BULKHEAD Oval H170							
BULKHEAD-OL-S H170 BK	4008321 620859	black	max. 52	230	50	E27	12x1
BULKHEAD-OL-S H170 WT	4008321 620873	white	max. 52	230	50	E27	12x1



All figures in mm

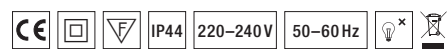
Product reference	Product number	COLOR	W	V	Hz		
BULKHEAD Oval H186							
BULKHEAD-OL-L H186 BK	4008321 615886	black	max. 52	230	50	E27	12x1
BULKHEAD-OL-L H186 WT	4008321 615909	white	max. 52	230	50	E27	12x1

Features and benefits:

- Growing line of functional wall and ceiling lights for outdoor use
- Easy installation
- Durable, reliable products thanks to e.g. ceramic lampholder
- Garages, garden sheds
- Stairwells
- Carports

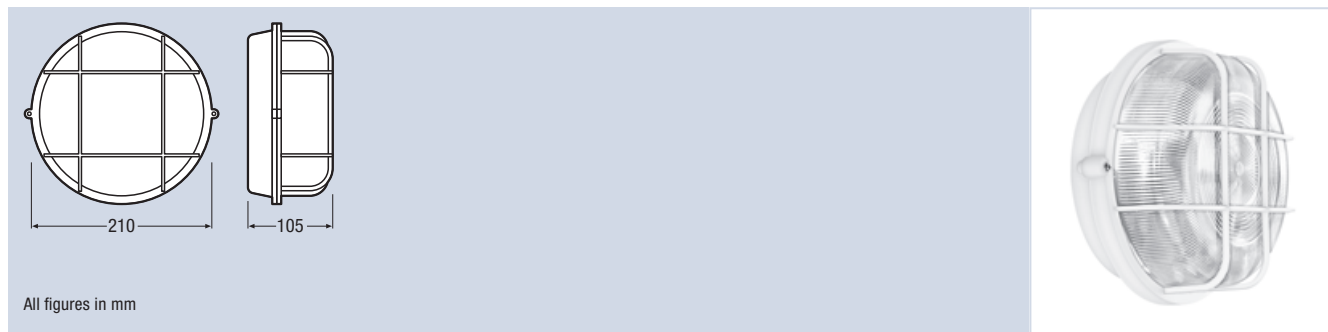
Oval

- Thermoplastic resin casing and grid
- Pressed glass diffuser
- Two versions: small (S) and large (L)
- Available in black and white





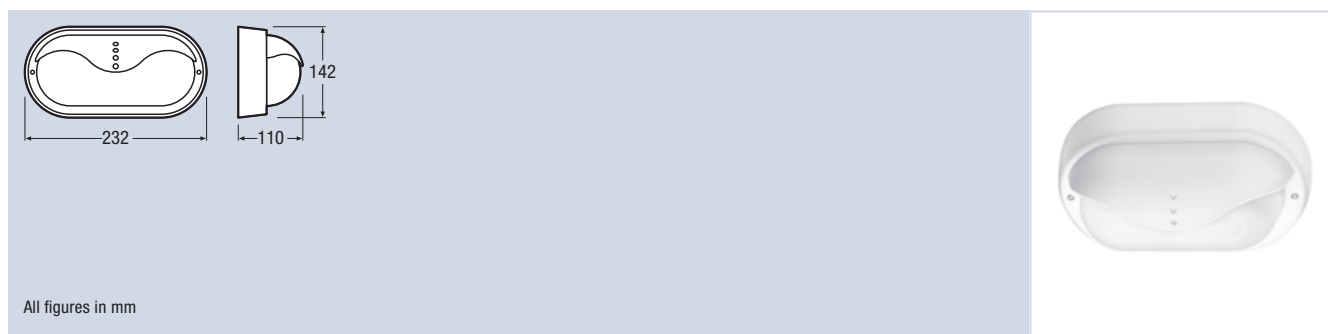
Small (S):

WALL-MOUNTED LUMINAIRES





All figures in mm

Product reference	Product number	COLOR	W	V	Hz		
BULKHEAD Round							
BULKHEAD-RD BK	4008321 612809	black	max. 52	230	50	E27	6x1
BULKHEAD-RD WT	4008321 612847	white	max. 52	230	50	E27	6x1



All figures in mm

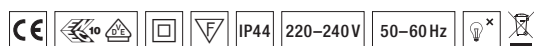
Product reference	Product number	COLOR	W	V	Hz		
BULKHEAD Elliptic							
BULKHEAD-EC BK	4008321 612861	black	max. 52	230	50	E27	6x1
BULKHEAD-EC WT	4008321 612885	white	max. 52	230	50	E27	6x1

Features and benefits:

- Growing line of functional wall and ceiling lights for outdoor use
- Easy installation
- Durable, reliable products thanks to e.g. ceramic lampholder
- Garages, garden sheds
- Stairwells
- Carports

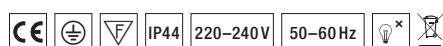
Round

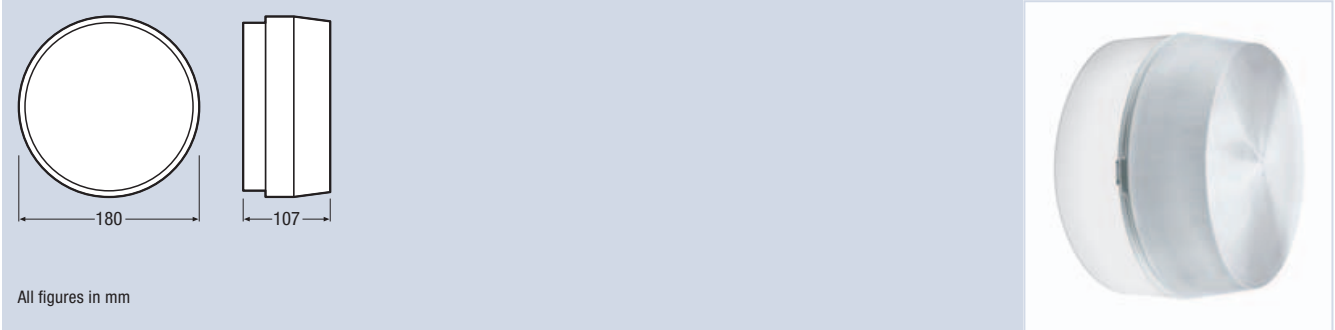
- Glass diffuser cannot fall out during installation
- Thermoplastic resin casing and grid
- Pressed glass diffuser
- Available in black and white





Elliptic

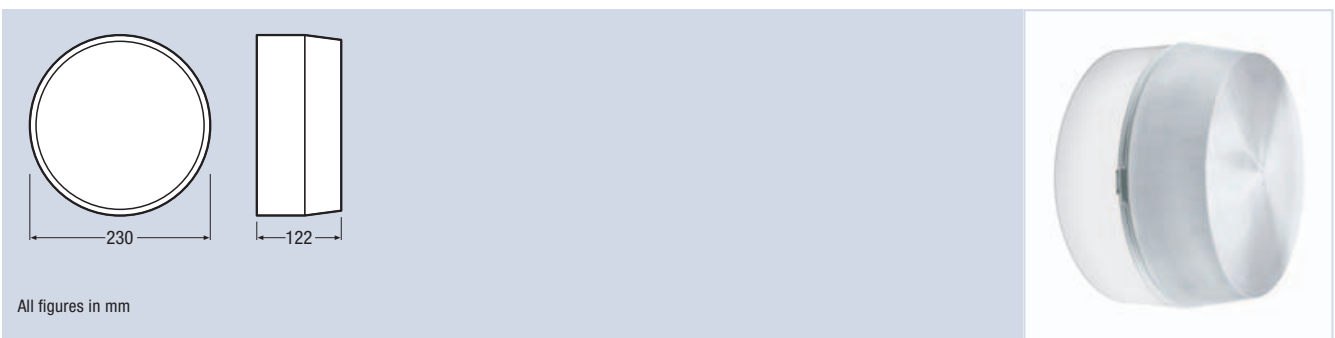
- Glass diffuser cannot fall out during installation
- Thermoplastic resin casing and cover
- Satinized glass diffuser
- Available in black and white







All figures in mm

Product reference	Product number	COLOR	W	V	Hz		
BULKHEAD Circular GR 28W							
BULKHEAD-CR GR 28W	4008321 606129	gray	max. 52	230	50	E27	6x1



All figures in mm

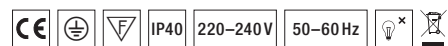
Product reference	Product number	COLOR	W	V	Hz		
BULKHEAD Circular GR 52W							
BULKHEAD-CR GR 52W	4008321 606143	gray	max. 52	230	50	E27	6x1

Features and benefits:

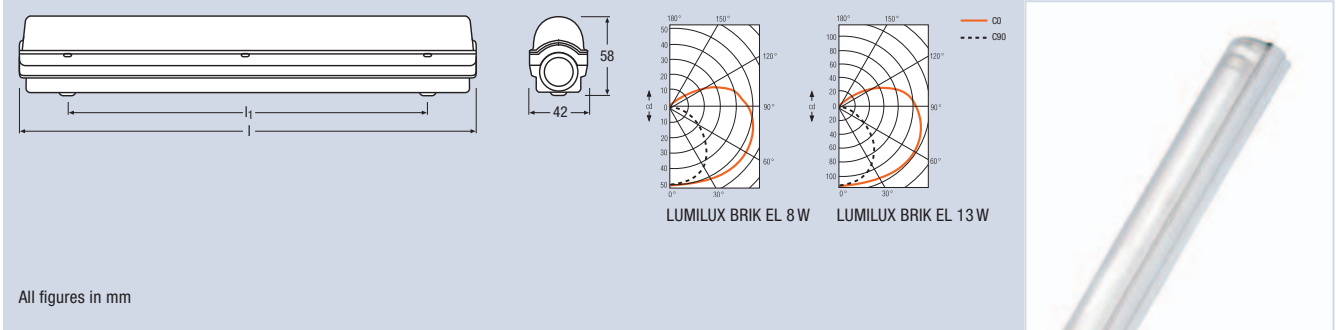
- Growing line of functional wall and ceiling lights for outdoor use
- Easy installation
- Durable, reliable products thanks to e.g. ceramic lampholder
- Garages, garden sheds
- Stairwells
- Carports

Circular

- No tools required to open it
- Aluminum reflector for better luminous efficacy
- Polypropylene casing, polycarbonate diffuser
- Available in gray



LUMILUX BRIK® EL



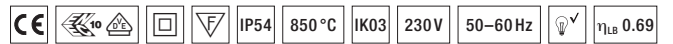
All figures in mm

Product reference	Product number	COLOR	W			K	lm	l [mm]	h [mm]	
LUMILUX BRIK® EL										
LUMILUX BRIK EL 8W	4050300 440880	gray	8	G5	840	4000	430	330	260	4x1
LUMILUX BRIK EL 13W	4050300 440903	gray	13	G5	840	4000	970	560	400	4x1

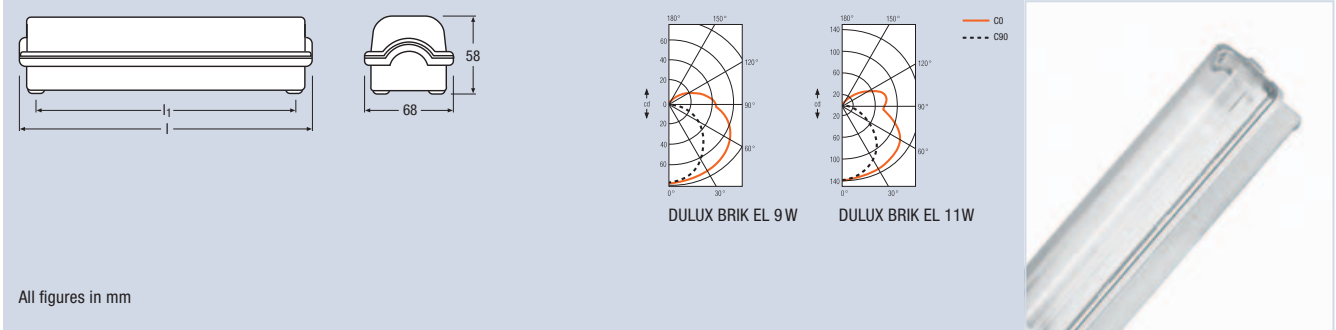
Features and benefits:

- Slim, splash-proof wall and ceiling batten luminaire
- Supplied with OSRAM electronic control gear
- Equipped with OSRAM LUMILUX® T5 840 fluorescent lamp
- Plastic casing with stainless screws

- Prismatic lamp cover for soft, glare-free light
- Wattages: 8 W, 13 W
- Available in gray
- For outdoor and indoor use



DULUX BRIK® EL



All figures in mm

Product reference	Product number	COLOR	W			K	lm				
DULUX BRIK® EL											
DULUX BRIK EL 9W	4050300 440927	gray	9	2G7	840	4000	600	224	200	44	4x1
DULUX BRIK EL 11W	4050300 440941	gray	11	2G7	840	4000	900	294	270	44	4x1

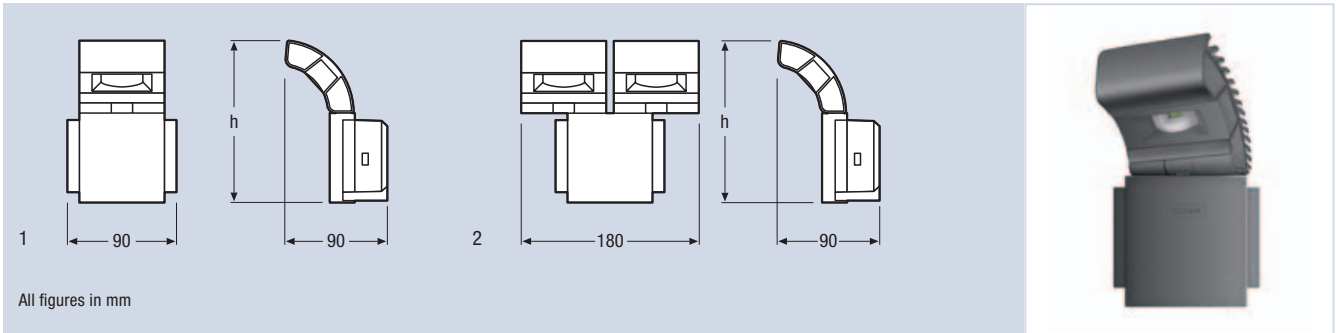
Features and benefits:

- Compact, splash-proof wall and ceiling luminaire
- Supplied with OSRAM electronic control gear and integrated lampholder
- Equipped with OSRAM DULUX® S/E 840 compact fluorescent lamp
- Plastic casing with stainless screws

- Prismatic lamp cover for soft, glare-free light
- Wattages: 9 W, 11 W
- Available in gray
- For outdoor and indoor use



NOXLITE® LED SPOT



All figures in mm

Product reference	Product number	COLOR	t [h]	W	V	lm	h [mm]	K			
NOXLITE® LED SPOT											
NOXLITE LED SPOT 6W	4008321 960931	gray	30000	6	100-240	290	140	6000	60	4	1
NOXLITE LED SPOT 8W	4008321 960955	gray	30000	8	100-240	430	150	6000	60	4	1
NOXLITE LED SPOT 2x8W	4008321 981981	gray	30000	2x8	100-240	860	150	6000	60	4	2

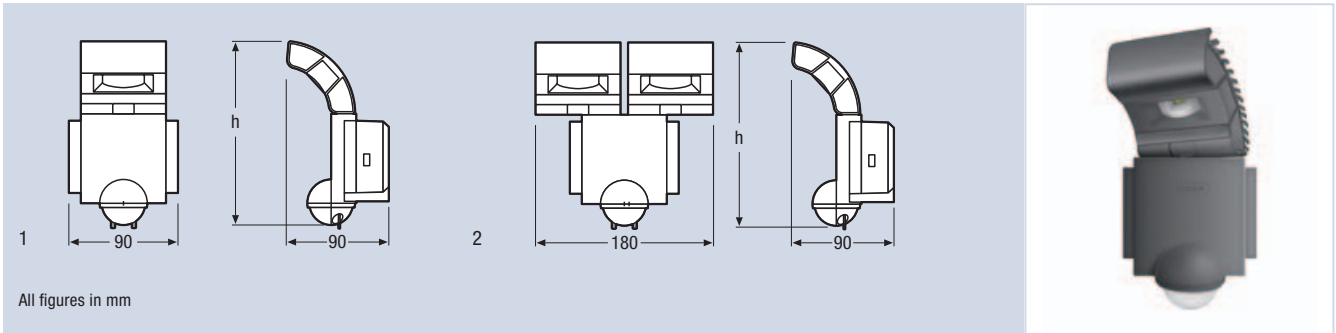
The NOXLITE® LED SPOT range with swiveling heads is available in a 6W, 8W and a 2x8W version. Their bright, cool-white light is ideal for illuminating outdoor areas such as gardens, patios, pathways and house entrances.

Features and benefits:

- Very bright and functional outdoor LED luminaires
- High-power LEDs and high luminous flux
- Easy installation
- Compact and lightweight
- Adjustable head



NOXLITE® LED SPOT Sensor



All figures in mm

Product reference	Product number	COLOR	t [h]	W	V	lm	h [mm]	K			
NOXLITE® LED SPOT Sensor											
NOXLITE LED SPOT 6W Sensor	4008321 960948	gray	30000	6	100-240	290	160	6000	60	4	1
NOXLITE LED SPOT 8W Sensor	4008321 960962	gray	30000	8	100-240	430	170	6000	60	4	1
NOXLITE LED SPOT 8W Sensor	4008321 998385	white	30000	8	100-240	430	170	6000	60	4	1
NOXLITE LED SPOT 2x8W Sensor	4008321 981998	gray	30000	2x8	100-240	860	170	6000	60	4	2

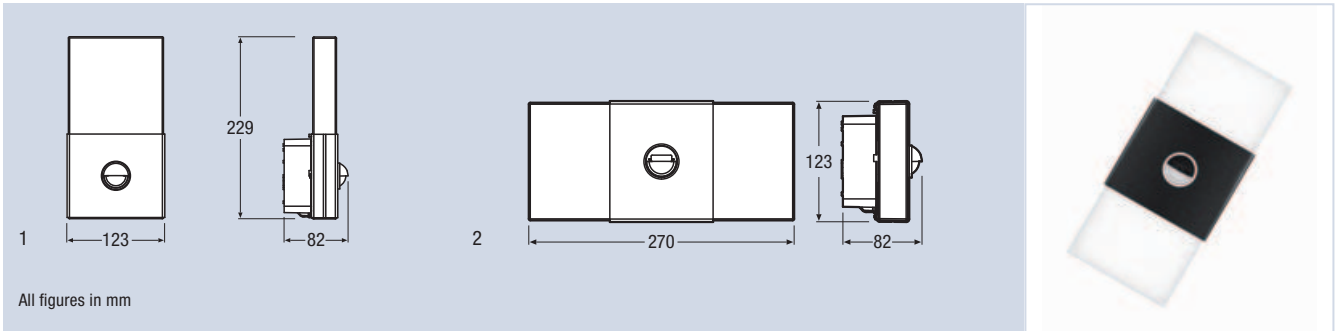
The NOXLITE® LED SPOT Sensor range with swiveling heads is available in a 6W, 8W and a 2x8W version. Their bright, cool-white light is ideal for illuminating outdoor areas such as gardens, patios, pathways and house entrances. The motion and day/night sensors can be set for a power-on time ranging between five seconds and ten minutes and the degree of darkness at which the motion sensor is activated can be adjusted, too. The sensor settings can thus be individually selected and adapted as desired.

Features and benefits:

- Very bright and functional outdoor LED luminaires
- High-power LEDs and high luminous flux
- Motion and day/night sensor with time settings from 5 s to 10 min
- Easy installation
- Compact and lightweight
- Adjustable head



NOXLITE® LED WALL



All figures in mm

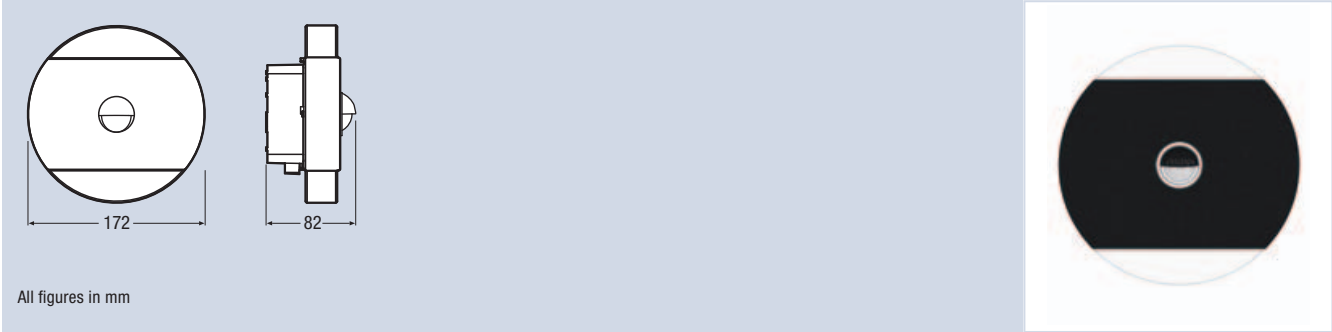
Product reference	Product number	COLOR	t[h]	W	V	lm	K			
NOXLITE® LED WALL Linear Sensor										
NOXLITE LED WALL Single Sensor	4008321960979	gray	30000	6	100–240	210	6000	122	4	1
NOXLITE LED WALL Single Sensor	4008321998408	silver	30000	6	100–240	210	6000	122	4	1
NOXLITE LED WALL Double Sensor	4008321960986	gray	30000	2x6	100–240	460	6000	135	4	2
NOXLITE LED WALL Double Sensor	4008321998422	silver	30000	2x6	100–240	460	6000	135	4	2

The NOXLITE® LED WALL is available in wattages of either 6W or 2x6W, with individually adjustable sensors and cool-white light. It can illuminate pathways, patios or attractively accentuate house walls.

Features and benefits:

- Intelligent and elegant outdoor LED luminaire
- High-power LEDs
- Motion and day/night sensor with time settings from 5 s to 10 min
- Easy installation
- Compact and lightweight





All figures in mm

Product reference	Product number	COLOR	t [h]	W	V	lm	K	°	Icons
NOXLITE® LED WALL Round Sensor									
NOXLITE LED WALL Round Sensor	4008321980519	gray	30000	2x6	100-240	400	6000	168	4
NOXLITE LED WALL Round Sensor	4008321998446	white	30000	2x6	100-240	400	6000	168	4

The NOXLITE® LED WALL Round Sensor is available in wattages of 2x6W, with individually adjustable sensors and cool-white light. It can illuminate pathways, patios or attractively accentuate house walls.

Features and benefits:

- Intelligent and elegant outdoor LED luminaire
- High-power LEDs
- Motion and day/night sensor with time settings from 5 s to 10 min
- Easy installation
- Compact and lightweight



OUTDOOR



Accentuating, guiding, decorative.

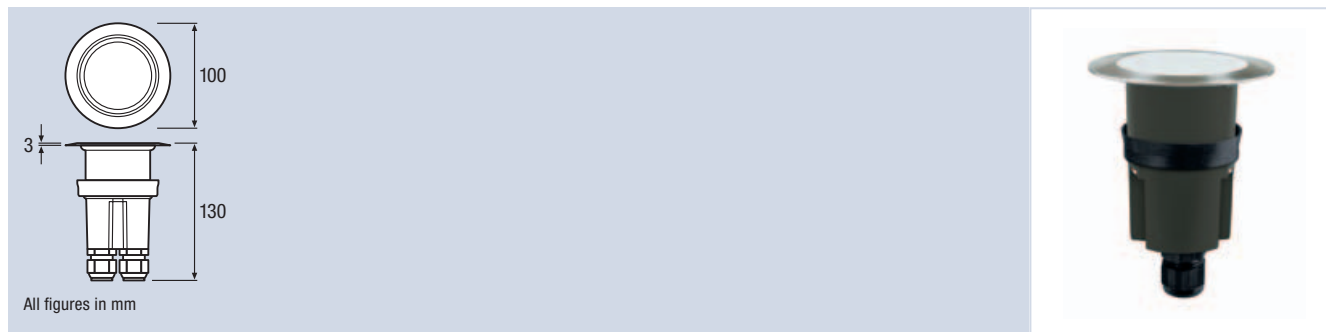
As soon as it gets dark outside, artificial light can do much more than just illuminate a particular area. With facade and path luminaires from OSRAM, there are so many different ways to create accent lighting, help people find their way around and highlight architectural details. The growing portfolio of OSRAM luminaires for these applications can be used in many different locations, such as footpaths and city squares, gardens and pedestrian zones. These luminaires meet the high quality standards that are typical of all OSRAM products. That way, trouble-free outdoor installations can be easily created.

Facade & path luminaires

AquaLED® 2 S&M	234
AquaLED® 2 L	236
AquaLED® 2 XL	237
ORTASA®	238
TEMPLA® LED	239
F-40 LED	241
Wallwasher Shield AC XB (Traxon)	242
Liner Shield AC XB (Traxon)	243
Monochrome Tube (Traxon)	244



AquaLED® 2 S&M



Product reference	Product number	COLOR		W	lm		
AquaLED® 2 S¹⁾							
AquaLED 2 S 24V 830	4008321988744	stainless steel	830	1.5	60 ²⁾	0.3	1
AquaLED 2 S 24V 840	4008321988751	stainless steel	840	1.5	60 ²⁾	0.3	1
AquaLED 2 S 24V B	4008321988768	stainless steel	blue	1.5	–	0.3	1
AquaLED 2 S 230V							
AquaLED 2 S 230V 830	4008321988775	stainless steel	830	1.5	60 ²⁾	0.3	1
AquaLED 2 S 230V 840	4008321988782	stainless steel	840	1.5	60 ²⁾	0.3	1
AquaLED 2 S 230V B	4008321988799	stainless steel	blue	1.5	–	0.3	1
AquaLED® 2 M¹⁾							
AquaLED 2 M 24V 830	4008321988805	stainless steel	830	2.8	130 ²⁾	0.3	1
AquaLED 2 M 24V 840	4008321988812	stainless steel	840	2.8	130 ²⁾	0.3	1
AquaLED 2 M 24V B	4008321988829	stainless steel	blue	2.8	–	0.3	1
AquaLED 2 M 230V							
AquaLED 2 M 230V 830	4008321988836	stainless steel	830	2.8	130 ²⁾	0.3	1
AquaLED 2 M 230V 840	4008321988843	stainless steel	840	2.8	130 ²⁾	0.3	1
AquaLED 2 M 230V B	4008321988850	stainless steel	blue	2.8	–	0.3	1

1) Most likely deliverable as of May 2012
 2) Lumen output of the luminaire

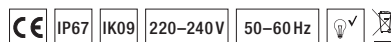
Pre-recessed tube to be ordered separately (see next page).

AquaLED® 2 S&M is the next generation of the successful AquaLED® and NAUTILUS® range. It comes in one size and is suitable for orientation lighting. AquaLED® 2 uses newest LED and system technology (> 60 lm/W), is simple to install and has a lifetime of up to 35000 hours.




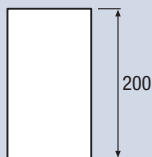
AquaLED® 2 S&M can be used in outdoor and indoor applications, at pedestrian areas due to less than 5 mm construction height above the floor and even in areas where people might touch the products because the temperature of the glass will be below 40° C (T_a = 25° C). The homogeneity of AquaLED® 2 S&M is unique in the lighting market. AquaLED® 2 S&M is either delivered in class II (including the OSRAM driver) or in class III (24 V).

Features and benefits:

- Available with highly efficient white LEDs in warm or neutral white and blue either with 1.5 W or 2.8 W
- Robust, polycarbonate luminaire body with decorative V4A stainless steel ring and ultra – welded PC cover
- Either with integrated power supply (230 V) or with external driver
- Diffuse light distribution (beam angle 100°)
- Through wiring possible
- Max. load 1000 kg


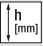


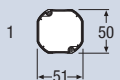

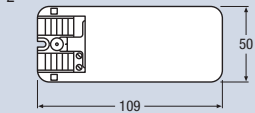


AquaLED® 2 accessory

Product reference	Product number			
Pre-recessed tube				
AquaLED 2 pre-recessed tube	4008321988881	0.1	1	

All figures in mm

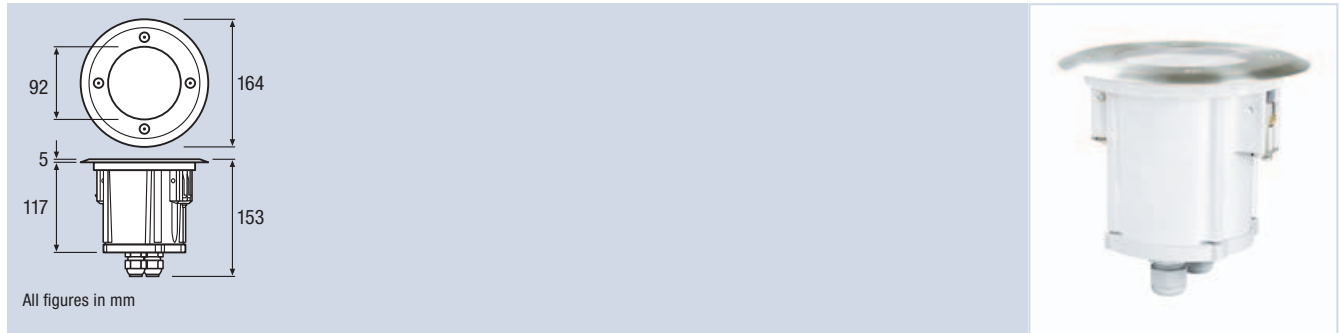
AquaLED® 2 recommended 24 V constant-voltage OPTOTRONIC® units

Product reference	Product number		W		T _a	IP			No.
OPTOTRONIC® units									
OT 6/200-240/24 CE	4008321113306	6 x AquaLED 2 S 24V	6	22	-20...+50	65	20	1	
OT 20/220-240/24	4050300618111	6 x AquaLED 2 M 24V	20	35	-20...+50	20	20	2	 

All figures in mm



AquaLED® 2 L



All figures in mm

Product reference	Product number	COLOR		W	lm	η_{LB}		
AquaLED® 2 L¹⁾								
AquaLED 2 L 230V 830 CG 10°	4008321988898	stainless steel		830	7.6	465 ²⁾	77%	1.7
AquaLED 2 L 230V 830 CG 36°	4008321988904	stainless steel		830	7.6	465 ²⁾	77%	1.7
AquaLED 2 L 230V 840 CG 10°	4008321988911	stainless steel		840	7.6	465 ²⁾	77%	1.7
AquaLED 2 L 230V 840 CG 36°	4008321988928	stainless steel		840	7.6	465 ²⁾	77%	1.7
AquaLED 2 L 230V 830 SG 10°	4008321988973	stainless steel		830	7.6	465 ²⁾	72%	1.7
AquaLED 2 L 230V 830 SG 36°	4008321988980	stainless steel		830	7.6	465 ²⁾	72%	1.7
AquaLED 2 L 230V 840 SG 10°	4008321988997	stainless steel		840	7.6	465 ²⁾	72%	1.7
AquaLED 2 L 230V 840 SG 36°	4008321989000	stainless steel		840	7.6	465 ²⁾	72%	1.7

1) Most likely deliverable as of May 2012
2) Lumen output of the LEDs

Pre-recessed tube to be ordered separately (see next page)

AquaLED® 2 L&XL is the next generation of the successful NAUTILUS® range. It comes in two sizes and is suitable for illuminations. AquaLED® 2 uses newest LED and system technology (> 60 lm/W), is simple to install and has a life-time of up to 35000 hours.

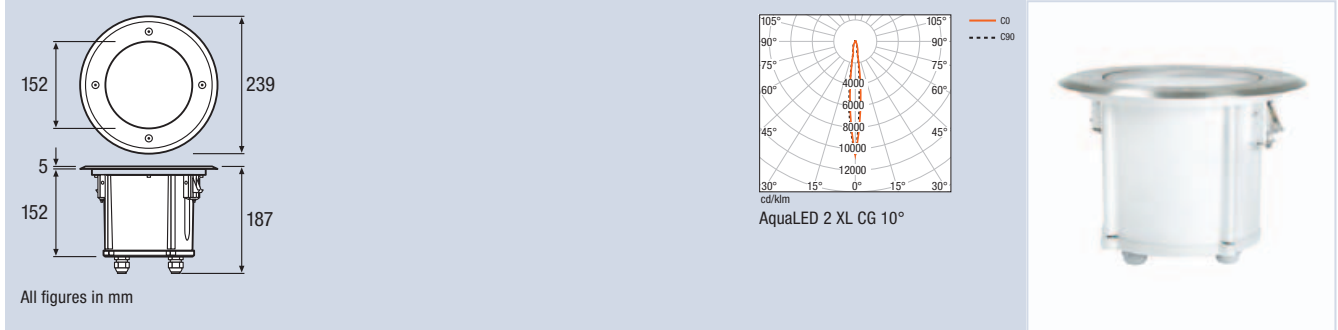
AquaLED® 2 L&XL can be used in Outdoor and indoor applications, at pedestrian areas due to less than 5 mm construction height above the floor and even in areas where people might touch the products because the temperature of the glass will be below 40 °C (T_a = 25 °C). All visible surfaces of AquaLED® 2 L&XL are stainless steel. The luminaire body is made of aluminum. The luminaires are delivered in class I.

Features and benefits:

- Available with highly efficient warm or neutral white LEDs
- Either with clear (CG) or satin glass (SG) cover
- Version L: 7.6 W, version XL: 19.5 W
- Corrosion-resistant die-cast aluminum housing and high-efficiency sealing system with stainless steel ring V4A and clear or satin glass cover
- With integrated OSRAM power supply, class I & II
- Light distribution with a beam angle of 10° (spot) or 36° (flood) and an adjustable swivel angle of ± 30°
- Through wiring possible
- Max. load 1500 kg



AquaLED® 2 XL



All figures in mm

Product reference	Product number	COLOR		W	Im	η_{LB}		
AquaLED® 2 XL 1)								
AquaLED 2 XL 230V 830 CG 10°	4008321 989055	stainless steel	830	19.5	1330 ²⁾	77%	4	1
AquaLED 2 XL 230V 830 CG 36°	4008321 989062	stainless steel	830	19.5	1330 ²⁾	77%	4	1
AquaLED 2 XL 230V 840 CG 10°	4008321 989079	stainless steel	840	19.5	1330 ²⁾	77%	4	1
AquaLED 2 XL 230V 840 CG 36°	4008321 989086	stainless steel	840	19.5	1330 ²⁾	77%	4	1
AquaLED 2 XL 230V 830 SG 10°	4008321 989130	stainless steel	830	19.5	1330 ²⁾	72%	4	1
AquaLED 2 XL 230V 830 SG 36°	4008321 989147	stainless steel	830	19.5	1330 ²⁾	72%	4	1
AquaLED 2 XL 230V 840 SG 10°	4008321 989154	stainless steel	840	19.5	1330 ²⁾	72%	4	1
AquaLED 2 XL 230V 840 SG 36°	4008321 989161	stainless steel	840	19.5	1330 ²⁾	72%	4	1

1) Most likely deliverable as of May 2012
2) Lumen output of the LEDs

Pre-recessed tube to be ordered separately (see below)

AquaLED® 2 accessories

Product reference	Product number	
Pre-recessed tube		
AquaLED 2 L pre-recessed tube	4008321 989215	0.6
AquaLED 2 XL pre-recessed tube	4008321 989222	0.9

All figures in mm

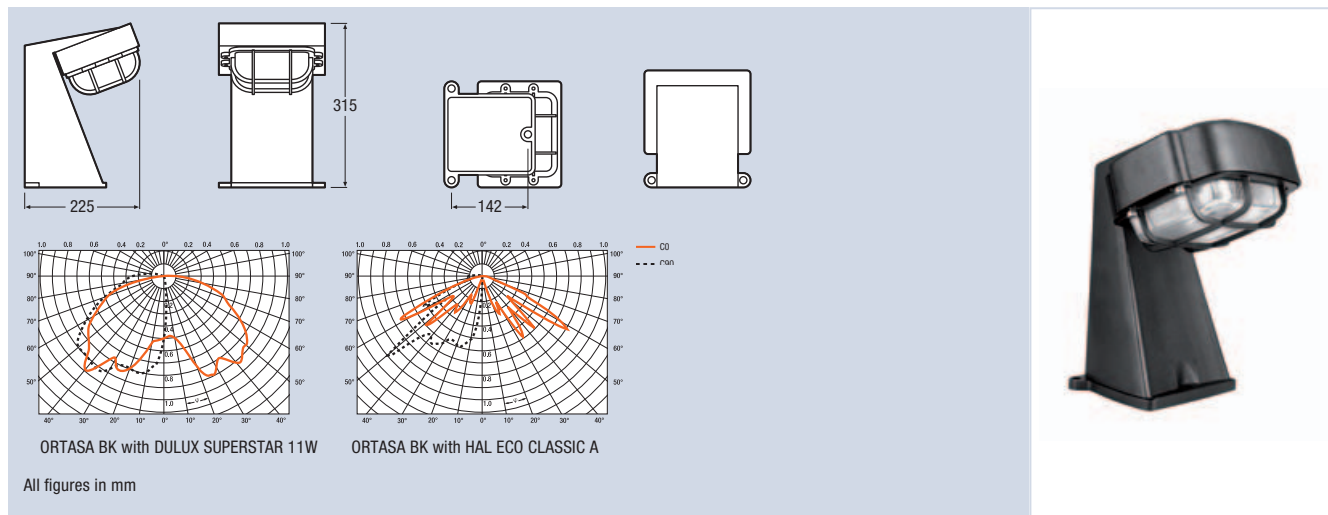
AquaLED 2 L

AquaLED 2 XL

OUTDOOR



ORTASA®



ORTASA BK with DULUX SUPERSTAR 11W

ORTASA BK with HAL ECO CLASSIC A

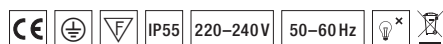
All figures in mm

Product reference	Product number	COLOR	W	V	Hz			
ORTASA®								
ORTASA BK 70W E27 CFL	4008321 605498	black	70	220-240	50-60	E27	3.49	1x1
ORTASA CD 70W E27 CFL	4008321 605504	forge-gray	70	220-240	50-60	E27	3.49	1x1

Features and benefits:

- Decorative path lighting with retro marine design
- Design matches the TARTUGA® family of wall-mounted luminaires for aesthetically appealing installations
- Casing and protective grid made of die-cast aluminum, powder-coated

- Impact-resistant glass cover with durable silicone gasket
- All external screws are made of stainless steel
- Reflector for improved, uniform light pattern
- Colors: black (RAL 9011), forge-gray



TEMPLA® LED

TEMPLA LED 1WND

All figures in mm

Product reference	Product number	COLOR	W	V	Hz	Kg	
TEMPLA® LED 1WND							
TEMPLA LED 1WND BK	4008321 983763	black	3	220-240	50-60	6.49	1x1
TEMPLA LED 1WND CD	4008321 983794	forge-gray	3	220-240	50-60	6.49	1x1

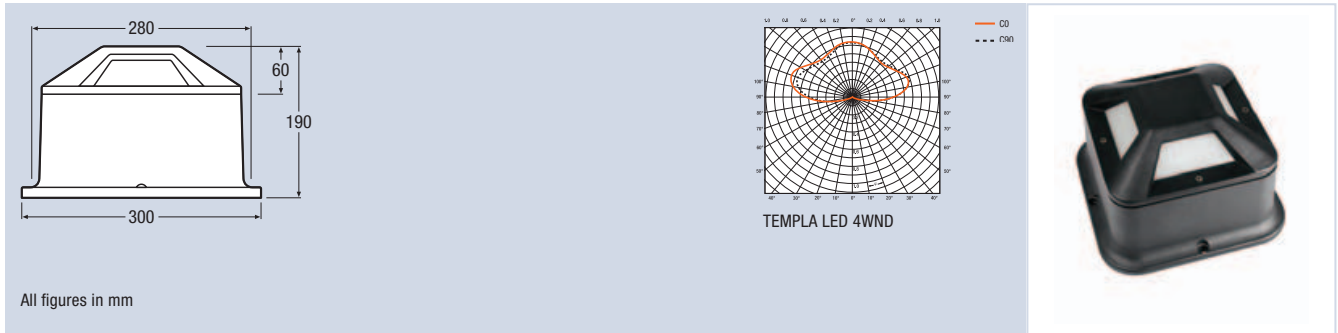
TEMPLA LED 2WND

All figures in mm

Product reference	Product number	COLOR	W	V	Hz	Kg	
TEMPLA® LED 2WND							
TEMPLA LED 2WND BK	4008321 983770	black	3	220-240	50-60	6.26	1x1
TEMPLA LED 2WND CD	4008321 983800	forge-gray	3	220-240	50-60	6.26	1x1



OUTDOOR



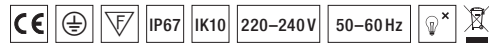
All figures in mm

Product reference	Product number	COLOR	W	V	Hz	kg	
TEMPLA® LED 4WND							
TEMPLA LED 4WND BK	4008321 983787	black	3	220-240	50-60	5.86	1x1
TEMPLA LED 4WND CD	4008321 983817	forge-gray	3	220-240	50-60	5.86	1x1

Features and benefits:

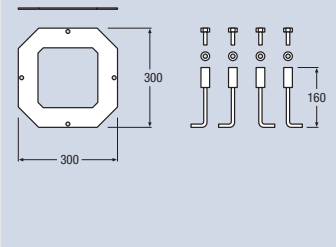

- Aesthetic yet tough orientation luminaire made from powder-coated die-cast aluminum
- Long-term IP protection thanks to neoprene gaskets
- Maintainable LED luminaire thanks to retrofit solution
- Armored – can take loads of up to 2000 kg

- 3 casing versions with 4, 2 or 1 light outlet
- All screws are made of stainless steel
- Diffuser made of UV-stabilized PC
- Available in black (RAL 9011) and forge-gray
- Optional ground mounting kit



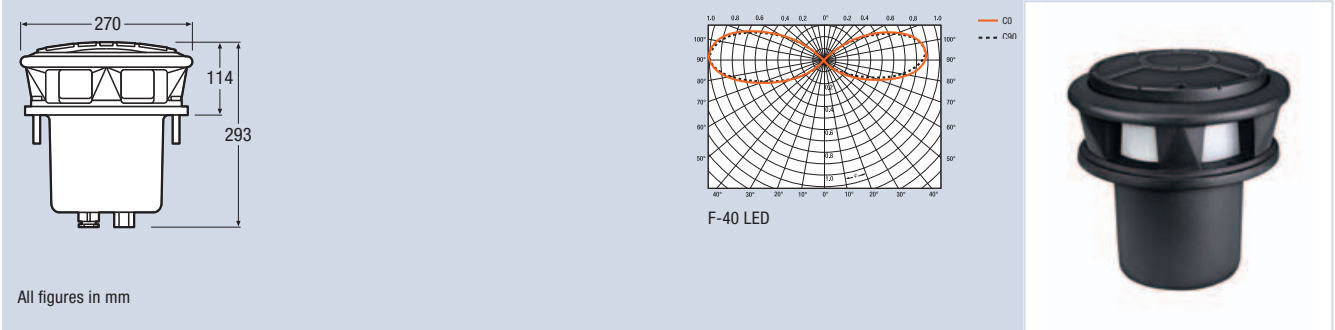
TEMPLA® LED accessory

Product reference	Product number	kg	
Ground mounting kit for TEMPLA® LED			
Ground mounting kit for TEMPLA LED	4008321 983824	1.24	1x1

All figures in mm

F-40 LED



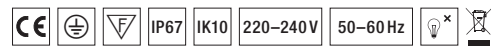
All figures in mm

Product reference	Product number	COLOR	W	V	Hz	Kg	
F-40 LED							
F-40 LED BK VS1	4008321983725	black	3	220-240	50-60	19	1x1
F-40 LED CD VS1	4008321983732	forge-gray	3	220-240	50-60	19	1x1

Features and benefits:

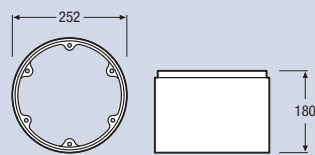
- Extremely tough orientation luminaire made of powder-coated cast iron
- Long-term IP protection thanks to neoprene gaskets
- Maintainable LED luminaire thanks to retrofit solution
- Armored – can take loads of up to 4000 kg

- All screws are made of stainless steel
- Diffuser made of non-yellowing PMMA
- Available in black (RAL 9011) and forge-gray
- Includes ground mounting kit



F-40 LED accessories

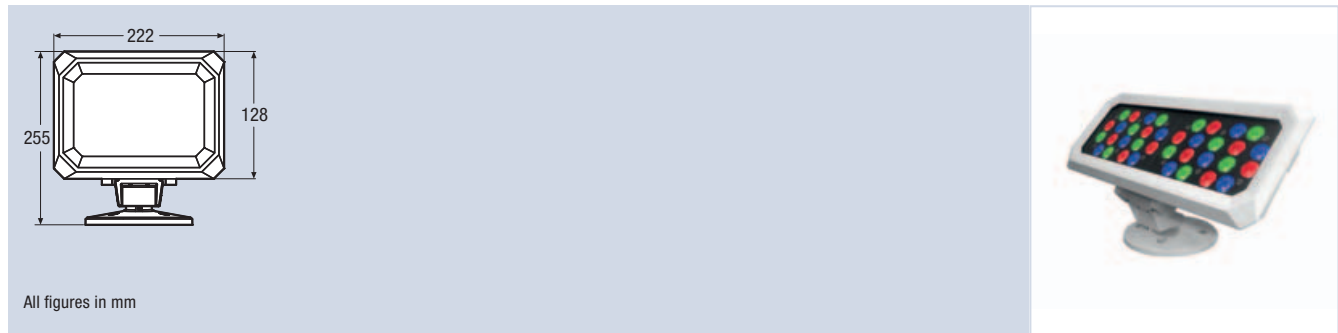
Product reference	Product number	COLOR	Kg			
Tubes for F-40 LED						
F-43 BK TUBE FOR F-40	4008321983749	black	8	1x1		
F-43 CD TUBE FOR F-40	4008321983756	forge-gray	8	1x1		



All figures in mm

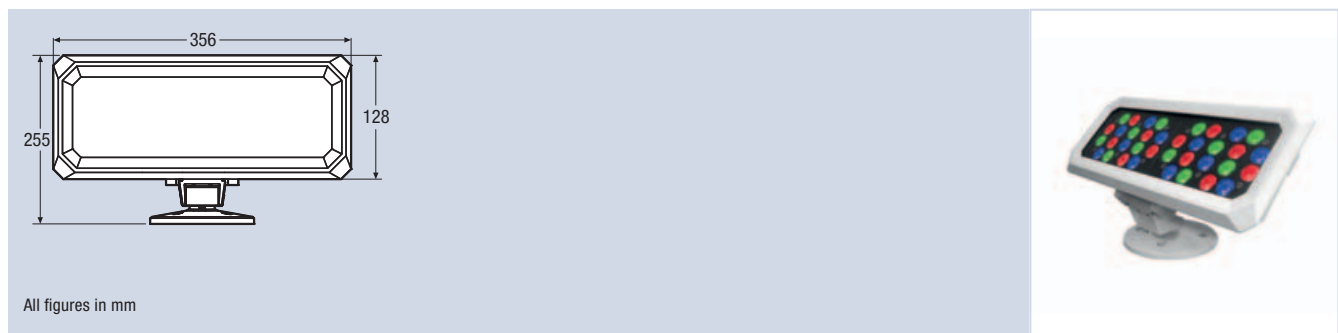


Wallwasher Shield AC XB (Traxon)



All figures in mm

Product reference	Product number	COLOR	W	V			K	lm	
Wallwasher Shield AC XB (Traxon)									
Wall Shield AC XB-18 CW 30deg	4006584 668373	white	max. 28	100–240	30	CW	6500	1292	2x1
Wall Shield AC XB-18 WW 30deg	4006584 668410	white	max. 28	100–240	30	WW	–	573	2x1
Wall Shield AC XB-18 RGB 30deg	4006584 668458	white	max. 28	100–240	30	RGB	2700	832	2x1



All figures in mm

Product reference	Product number	COLOR	W	V			K	lm	
Wallwasher Shield AC XB (Traxon)									
Wall Shield AC XB-36 CW 30deg	4006584 668397	white	max. 54	100–240	30	CW	6500	2583	2x1
Wall Shield AC XB-36 WW 30deg	4006584 668434	white	max. 54	100–240	30	WW	–	1114	2x1
Wall Shield AC XB-36 RGB 30deg	4006584 668472	white	max. 54	100–240	30	RGB	2700	1664	2x1

Shield AC XB is the new solution for large-scale architectural lighting. The Shield AC XB series is suitable for Outdoor use and can be used both for facade and accent lighting. It provides the basis for high-quality lighting installations with high brilliance. Operation on 230V line voltage enables up to 32 luminaires to be connected in series. The easy plug-&-play system and flexible cable lengths reduce installation effort to a minimum.

Features and benefits:

- Reliable heat removal for operation in temperatures of -20 °C to +60 °C

- Suitable for extreme weather conditions: heavy rain, snow and heat
- Built-in heat sensor for additional thermal reliability
- High-quality die-cast aluminum
- Various installation options thanks to adjustable luminaire heads and bases
- Unique design
- Choice of different color combinations: RGB & monochromatic light
- Easy connection and installation
- Operation on line voltage
- Screw terminal for cable diameter of 2.5 mm²



Liner Shield AC XB (Traxon)

All figures in mm

Product reference	Product number	COLOR	W	V			K	lm	
Liner Shield AC XB (Traxon)									
Liner Shield AC XB-18 CW 40x10deg	4006584668496	white	max. 40	100–240	40x10	CW	6500	1909	2x1
Liner Shield AC XB-18 WW 40x10deg	4006584668533	white	max. 28	100–240	40x10	WW	2700–6500	1398	2x1

All figures in mm

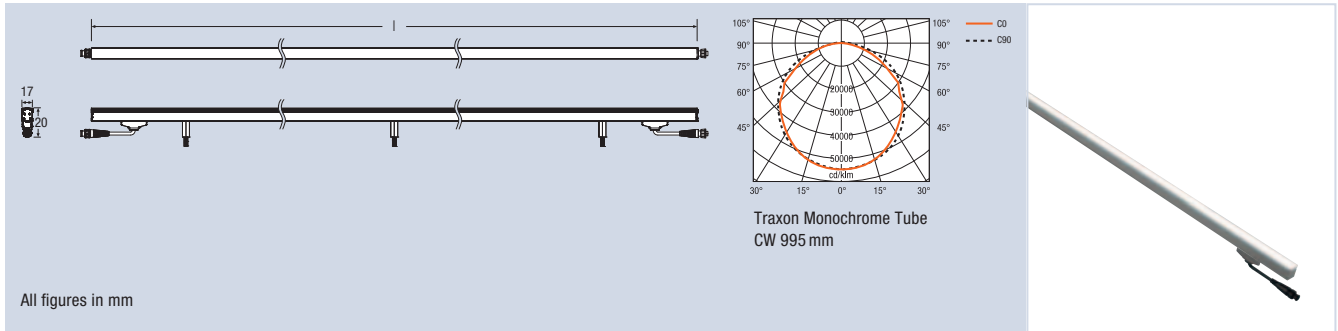
Product reference	Product number	COLOR	W	V			K	lm	
Liner Shield AC XB (Traxon)									
Liner Shield AC XB-27 RGB 40x10deg	4006584668335	white	max. 28	100–240	40x10	RGB	6500	1909	2x1
Liner Shield AC XB-27 CW 40x10deg	4006584668519	white	max. 53	100–240	40x10	CW	6500	1909	2x1
Liner Shield AC XB-27 WW 40x10deg	4006584668557	white	max. 40	100–240	40x10	WW	2700–6500	1398	2x1

Features and benefits:

- Operated on 230V line voltage
- Operates up to 300 meters from the power source
- High-flux LED wall spotlight for large-scale architectural lighting
- High luminous efficacy and brilliant light for wallwashing effects even over large distances
- Adjustable luminaire heads and bases
- Flexible installation of base and lamp thanks to removable luminaire head
- Wide range of colors: RGB, different tones in warm white and cold white
- Daisy chain topology with combined power and data cable for easy wiring and installation



Monochrome Tube (Traxon)



Product reference	Product number	COLOR	W	I[mA]	V		K	$\frac{l}{\text{mm}}$	
Monochrome Tube (Traxon)									
Monochrome Tube CW 500mm	4006584670840	metallic	max. 3.7	max. 76	48	CW	5500	500	10x1
Monochrome Tube CW 995mm	4006584670864	metallic	max. 7.5	max. 152	48	CW	5500	995	10x1
Monochrome Tube CW 1490mm	4006584670888	metallic	max. 11	max. 227	48	CW	5500	1490	10x1
Monochrome Tube WW 500mm	4006584673834	metallic	max. 3.7	max. 76	48	WW	2700	500	10x1
Monochrome Tube WW 995mm	4006584673858	metallic	max. 7.5	max. 152	48	WW	2700	995	10x1
Monochrome Tube WW 1490mm	4006584673872	metallic	max. 11	max. 227	48	WW	2700	1490	10x1

Features and benefits:

- Interconnection of up to 12 m possible
- Low energy consumption (7.5 W/m per tube)
- Operating temperature -20 °C to ~+50 °C
- UV-resistant
- Compact and flexible

- Ideal for space-saving installations
- Easy adaptation to applications of different sizes
- Suitable for outdoor applications, can also be used under extreme conditions
- For easy on/off applications without an additional controller



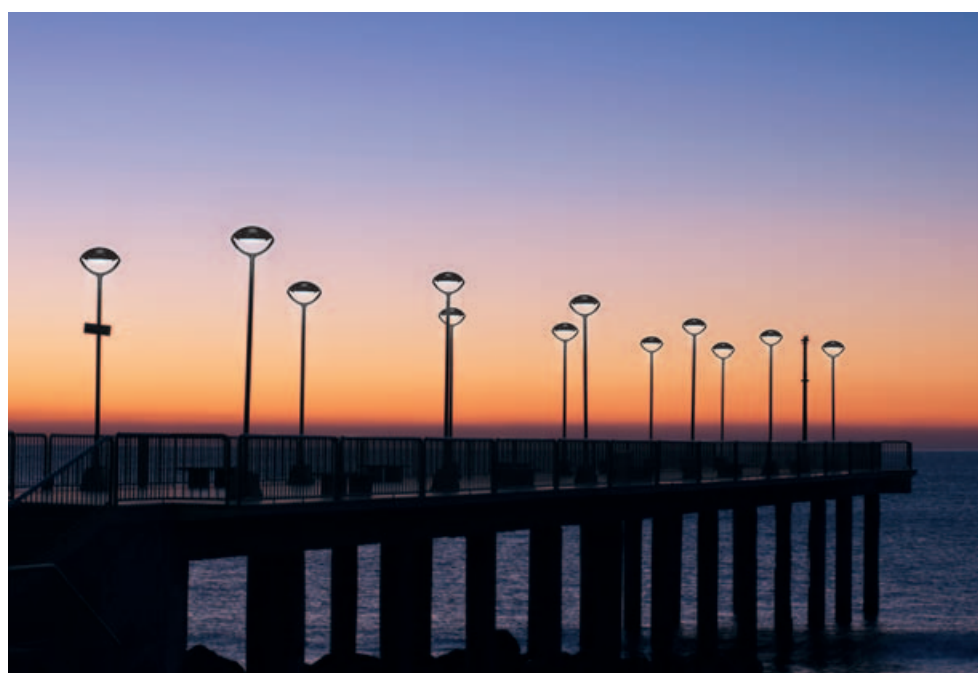


Universal, creative, economical.

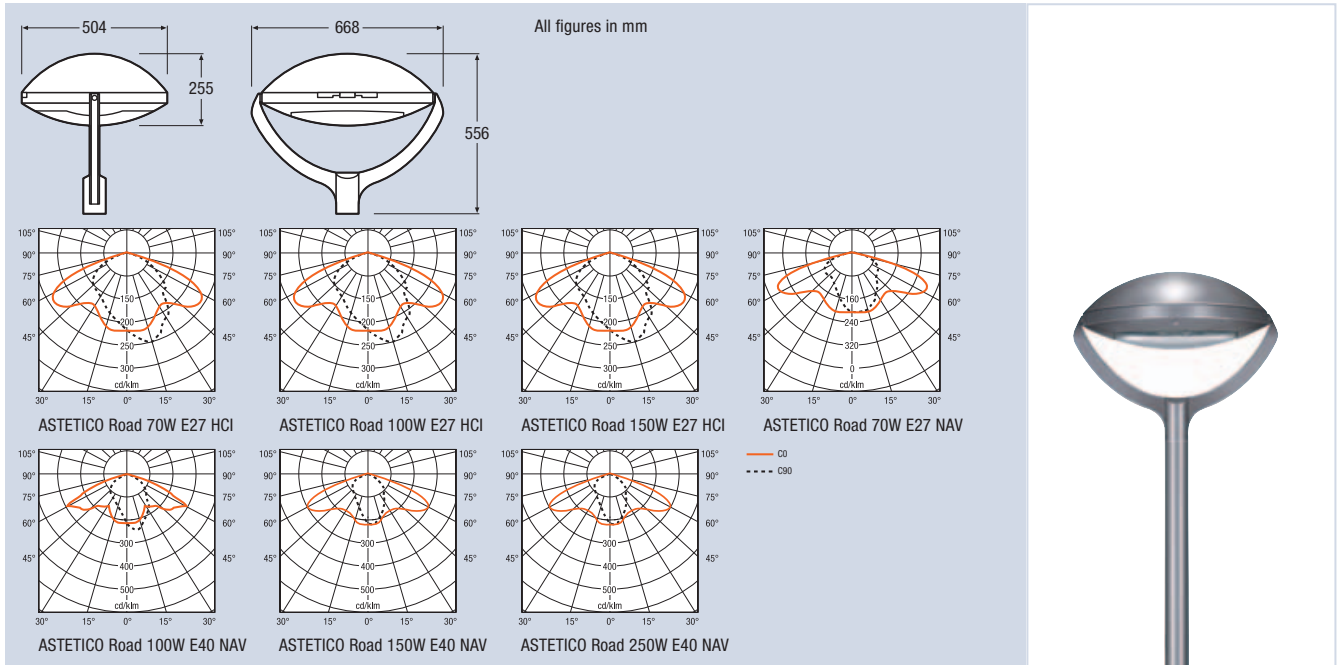
It is the link between design and function that plays such an important role in lighting for public places such as parks, streets and city squares. OSRAM's ever-growing range of luminaires provides the perfect basis for creative lighting design, whether for complete cityscapes or for installations in the private sector. The luminaires are equipped with efficient technology to achieve maximum economy and reliability, even in tough weather conditions. Ease of maintenance, extremely robust materials and excellent workmanship add up to long life, products that retain their value and the high quality that OSRAM customers have come to expect.

Town & park luminaires

ASTETICO® Road	248
ASTETICO® Flood	249
ELLYPTICA® I	250
ELLYPTICA® II	251
ELLYPTICA® III	252
VIALUX® I	253
VIALUX® II	254
VIALUX® III	255
VIALTA®	256
FR2	258
UTEA®	259
PAIPS® PEX	260
PAIPS® PIA	261
BARISO™	262



ASTETICO® Road



Product reference

Product number

COLOR

W

V

Hz

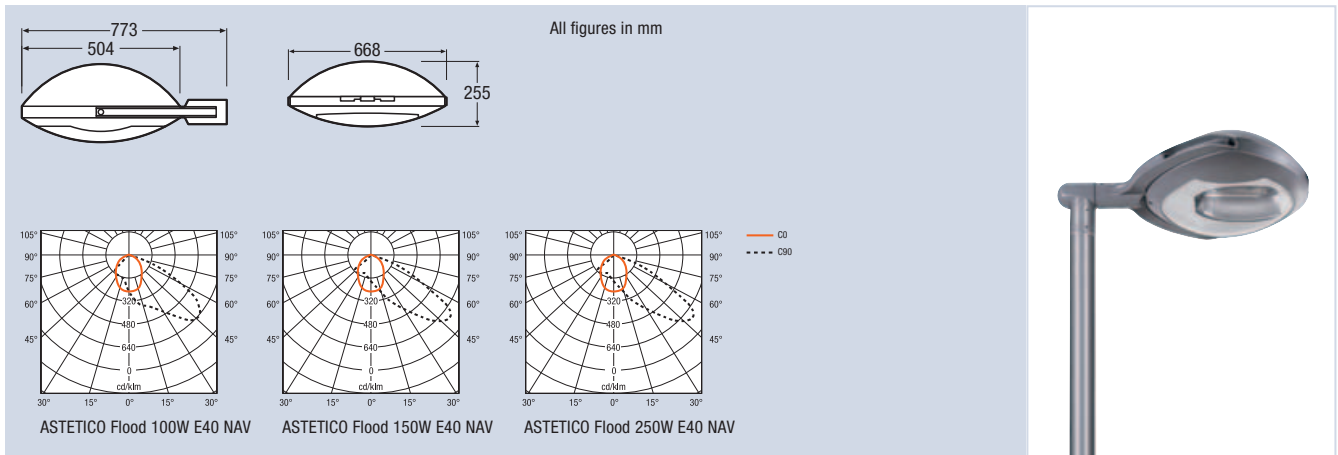


ASTETICO® Road

Product reference	Product number	COLOR	W	V	Hz				
ASTETICO Road 70W E27 HCI	4008321 983282	forge-gray	70	220-240	50-60	E27	-	17.29	1x1
ASTETICO Road 100W E27 HCI	4008321 983299	forge-gray	100	220-240	50-60	E27	-	17.71	1x1
ASTETICO Road 150W E27 HCI	4008321 983305	forge-gray	150	220-240	50-60	E27	-	18.19	1x1
ASTETICO Road 70W E27 NAV	4008321 983312	forge-gray	70	220-240	50-60	E27	-	17.12	1x1
ASTETICO Road 70W E27 NAV2	4008321 983329	forge-gray	70	220-240	50-60	E27	NAV2	17.15	1x1
ASTETICO Road 100W E40 NAV	4008321 983336	forge-gray	100	220-240	50-60	E40	-	18.27	1x1
ASTETICO Road 100W E40 NAV2	4008321 983343	forge-gray	100	220-240	50-60	E40	NAV2	18.32	1x1
ASTETICO Road 150W E40 NAV	4008321 983350	forge-gray	150	220-240	50-60	E40	-	18.75	1x1
ASTETICO Road 150W E40 NAV2	4008321 983367	forge-gray	150	220-240	50-60	E40	NAV2	18.90	1x1
ASTETICO Road 250W E40 NAV	4008321 983374	forge-gray	250	220-240	50-60	E40	-	20.05	1x1
ASTETICO Road 250W E40 NAV2	4008321 983381	forge-gray	250	220-240	50-60	E40	NAV2	20.26	1x1

Accessories on p. 263

ASTETICO® Flood



Product reference	Product number	COLOR	W	V	Hz					
ASTETICO® Flood										
ASTETICO Flood 70W E27 HCl	4008321 983398	forge-gray	70	220-240	50-60	E27	-		17.72	1x1
ASTETICO Flood 100W E27 HCl	4008321 983404	forge-gray	100	220-240	50-60	E27	-		18.14	1x1
ASTETICO Flood 150W E27 HCl	4008321 983411	forge-gray	150	220-240	50-60	E27	-		18.62	1x1
ASTETICO Flood 70W E27 NAV	4008321 983428	forge-gray	70	220-240	50-60	E27	-		17.55	1x1
ASTETICO Flood 70W E27 NAV2	4008321 983435	forge-gray	70	220-240	50-60	E27	NAV2		17.58	1x1
ASTETICO Flood 100W E40 NAV	4008321 983442	forge-gray	100	220-240	50-60	E40	-		18.76	1x1
ASTETICO Flood 100W E40 NAV2	4008321 983459	forge-gray	100	220-240	50-60	E40	NAV2		18.81	1x1
ASTETICO Flood 150W E40 NAV	4008321 983466	forge-gray	150	220-240	50-60	E40	-		19.24	1x1
ASTETICO Flood 150W E40 NAV2	4008321 983473	forge-gray	150	220-240	50-60	E40	NAV2		19.39	1x1
ASTETICO Flood 250W E40 NAV	4008321 983480	forge-gray	250	220-240	50-60	E40	-		20.54	1x1
ASTETICO Flood 250W E40 NAV2	4008321 983497	forge-gray	250	220-240	50-60	E40	NAV2		20.75	1x1

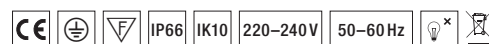
Accessories on p. 263

This family of products is characterized by its versatility. The adjustable bracket makes these luminaires suitable for both post-top and side-entry mounting. The two different reflectors create different light distribution patterns for street lighting or for floodlighting. This means that a wide range of applications can be covered with just one luminaire design, such as street lighting in compliance with relevant standards or the highlighting of architectural features in city centers.

Features and benefits:

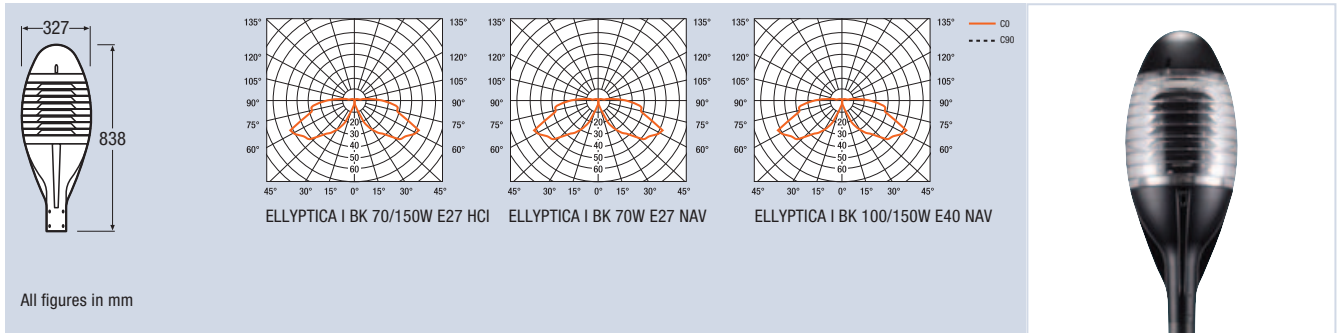
- Decorative system luminaire made from die-cast aluminum with a UV-stable polycarbonate diffuser
- Can be opened by loosening a single screw for easier installation and maintenance

- Opening the casing disconnects the power
- Corrosion-resistant powder coating
- 2 asymmetrical light patterns:
 - 1) Longitudinal for street lighting from a die-cut, anodized aluminum reflector
 - 2) Transversal for floodlighting/spotlighting from a high-purity aluminum reflector
- Wattages: 70/100/150/250 W, each with or without the option for power reduction (NAV®2 types)
- Colors: forge-gray, others on request
- For mounting on 60/100 mm spigot
- Accessories: 90° couplings (single and double)
- Matching aluminum masts (4 m) on request



TOWN AND PARK LUMINAIRES

ELLYPTICA® I



Product reference

Product number

COLOR

W

V

Hz

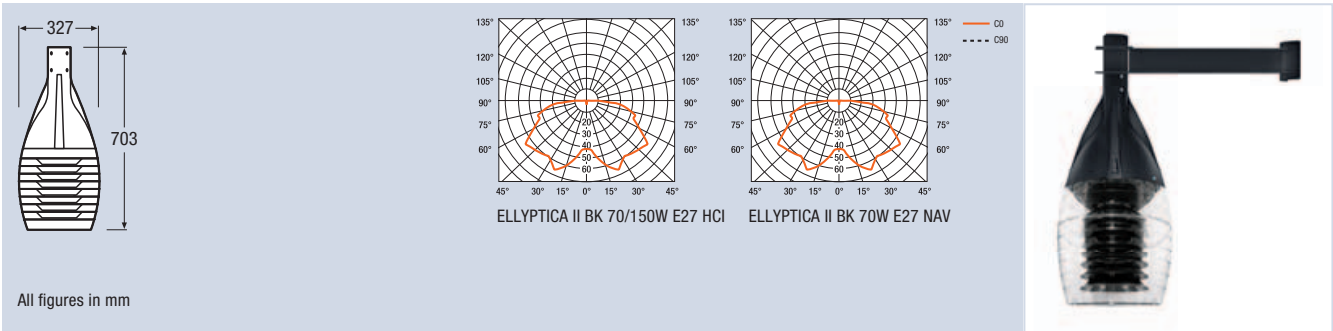


ELLYPTICA® I

Product reference	Product number	COLOR	W	V	Hz				
ELLYPTICA I BK 70W E27 HCI	4008321 983077	black	70	220-240	50-60	E27	—	9.02	1x1
ELLYPTICA I BK 150W E27 HCI	4008321 983084	black	150	220-240	50-60	E27	—	10.24	1x1
ELLYPTICA I BK 70W E27 NAV	4008321 983091	black	70	220-240	50-60	E27	—	9.51	1x1
ELLYPTICA I BK 70W E27 NAV2	4008321 983107	black	70	220-240	50-60	E27	NAV2	9.51	1x1
ELLYPTICA I BK 100W E40 NAV	4008321 983114	black	100	220-240	50-60	E40	—	9.51	1x1
ELLYPTICA I BK 100W E40 NAV2	4008321 983121	black	100	220-240	50-60	E40	NAV2	8.77	1x1
ELLYPTICA I BK 150W E40 NAV	4008321 983138	black	150	220-240	50-60	E40	—	10.04	1x1
ELLYPTICA I BK 150W E40 NAV2	4008321 983145	black	150	220-240	50-60	E40	NAV2	8.67	1x1

Accessories on p. 263

ELLYPTICA® II



All figures in mm

Product reference	Product number	COLOR	W	V	Hz				
ELLYPTICA® II									
ELLYPTICA II BK 70W E27 HCI	4008321 983152	black	70	220–240	50–60	E27	–	8.14	1x1
ELLYPTICA II BK 150W E27 HCI	4008321 983169	black	150	220–240	50–60	E27	–	9.36	1x1
ELLYPTICA II BK 70W E27 NAV	4008321 983176	black	70	220–240	50–60	E27	–	8.07	1x1
ELLYPTICA II BK 70W E27 NAV2	4008321 983183	black	70	220–240	50–60	E27	NAV2	8.63	1x1
ELLYPTICA II BK 100W E40 HCI	4008321 983190	black	100	220–240	50–60	E40	–	8.63	1x1
ELLYPTICA II BK 100W E40 HCI2	4008321 983206	black	100	220–240	50–60	E40	NAV2	7.89	1x1
ELLYPTICA II BK 150W E40 HCI	4008321 983213	black	150	220–240	50–60	E40	–	9.16	1x1
ELLYPTICA II BK 150W E40 HCI2	4008321 983220	black	150	220–240	50–60	E40	NAV2	7.79	1x1

Accessories on p. 263

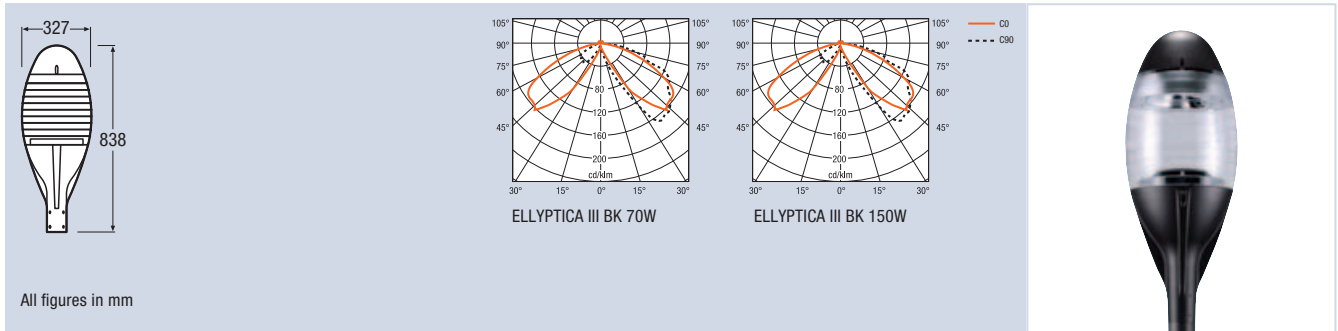
Features and benefits:

- Compact gear tray for easy maintenance
- Circular louvers made of anodized aluminum, painted black on the outside to reduce glare and minimize light pollution
- Luminaire family with several options for mast mounting:
ELLYPTICA® I: post-top mounting on masts/brackets
ELLYPTICA® II: side-entry mounting to masts or hanging from brackets (please see p. 263 for accessories)
- Decorative luminaire family made from die-cast aluminum with a UV-stable polycarbonate diffuser
- Corrosion-resistant powder coating
- Symmetrical light pattern

- Plastic diffuser made of UV-stable polycarbonate with decorative line elements
- Wattages: 70/100/150W, each with or without the option for power reduction (NAV®2 types)
- Colors: black (RAL 9011), others on request
- For mounting on 60/100mm spigot
- Accessories: brackets (single, double and for wall mounting)
- Matching aluminum masts (4 m) in luminaire color on request



ELLYPTICA® III



All figures in mm

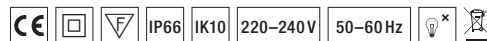
Product reference	Product number	COLOR	W	V	Hz			
ELLYPTICA® III								
ELLYPTICA III BK 70W	4008321 983237	black	70	220-240	50-60	E27	9.11	1x1
ELLYPTICA III BK 150W	4008321 983244	black	150	220-240	50-60	E27	10.02	1x1

Accessories on p. 263

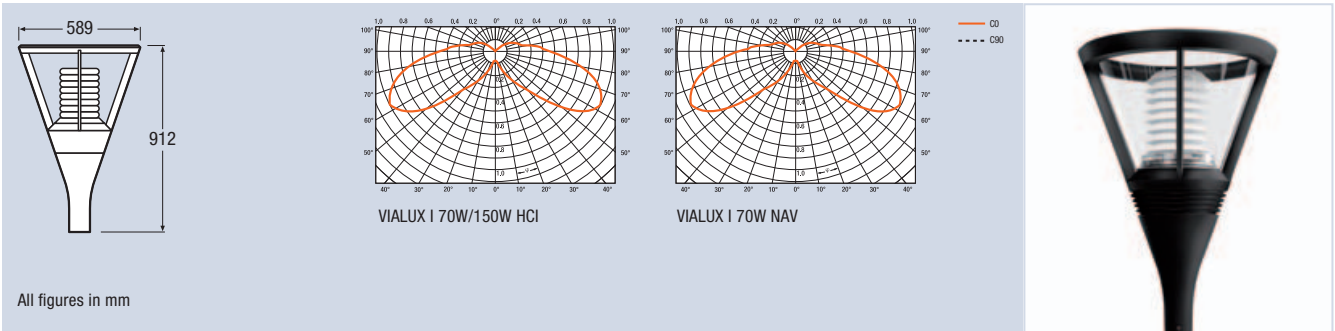
Features and benefits:

- Luminaire family with several options for mast mounting and different light patterns:
ELLYPTICA® III: for mounting on masts or brackets, with anodized aluminum reflector for an asymmetrical light pattern for street lighting
- Decorative luminaire made from die-cast aluminum with a UV-stable polycarbonate diffuser
- Corrosion-resistant powder coating





- Asymmetrical light pattern
- Wattages: 70/150 W
- Colors: black (RAL 9011), others on request
- For mounting on 60/100mm spigot
- Accessories: brackets (single, double and for wall mounting)
- Matching aluminum masts (4m) in luminaire color on request



VIALUX® I



All figures in mm

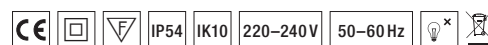
Product reference	Product number	COLOR	W	V	Hz				
VIALUX® I									
VIALUX I BK 70W E27 HCl	4008321 982605	black	70	220–240	50–60	E27	–	18.54	1x1
VIALUX I BK 150W E27 HCl	4008321 982612	black	150	220–240	50–60	E27	–	19.35	1x1
VIALUX I BK 70W E27 NAV	4008321 982629	black	70	220–240	50–60	E27	–	18.45	1x1
VIALUX I BK 70W E27 NAV2	4008321 982636	black	70	220–240	50–60	E27	NAV2	19.06	1x1
VIALUX I BK 100W E40 NAV	4008321 982643	black	100	220–240	50–60	E40	–	19.09	1x1
VIALUX I BK 100W E40 NAV2	4008321 982650	black	100	220–240	50–60	E40	NAV2	19.39	1x1
VIALUX I BK 150W E40 NAV	4008321 982667	black	150	220–240	50–60	E40	–	19.57	1x1
VIALUX I BK 150W E40 NAV2	4008321 982674	black	150	220–240	50–60	E40	NAV2	19.85	1x1
VIALUX I CD 70W E27 HCl	4008321 982681	forge-gray	70	220–240	50–60	E27	–	18.54	1x1
VIALUX I CD 150W E27 HCl	4008321 982698	forge-gray	150	220–240	50–60	E27	–	19.35	1x1
VIALUX I CD 70W E27 NAV	4008321 982704	forge-gray	70	220–240	50–60	E27	–	18.45	1x1
VIALUX I CD 70W E27 NAV2	4008321 982711	forge-gray	70	220–240	50–60	E27	NAV2	19.06	1x1
VIALUX I CD 100W E40 NAV	4008321 982728	forge-gray	100	220–240	50–60	E40	–	19.09	1x1
VIALUX I CD 100W E40 NAV2	4008321 982735	forge-gray	100	220–240	50–60	E40	NAV2	19.39	1x1
VIALUX I CD 150W E40 NAV	4008321 982742	forge-gray	150	220–240	50–60	E40	–	19.57	1x1
VIALUX I CD 150W E40 NAV2	4008321 982759	forge-gray	150	220–240	50–60	E40	NAV2	19.85	1x1

Accessories on p. 263

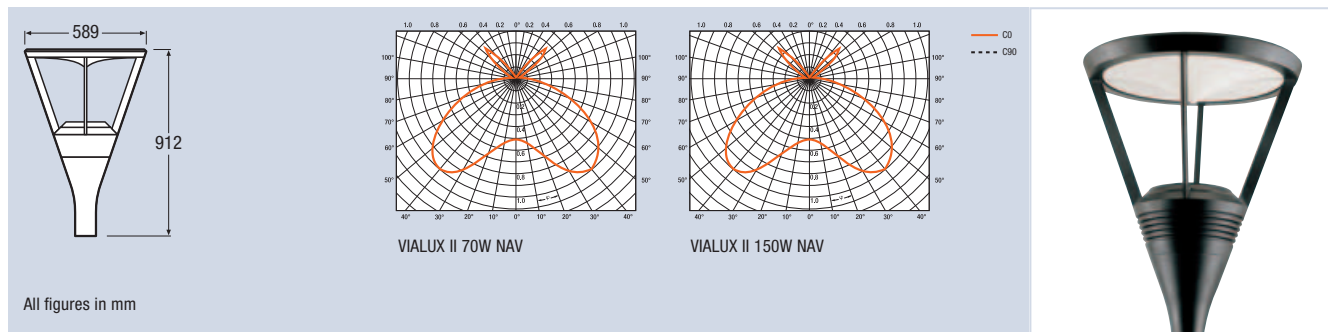
Features and benefits:

- White circular louvers for efficient distribution of light and to reduce glare and light pollution
- Surface with highly corrosion-resistant powder coating, all external screws made of stainless steel
- Same design in the VIALUX® family with different lighting technologies opens up design options with VIALUX® II and III
- Compact gear tray for easy maintenance
- Circular louvers made of white-painted aluminum plate
- Decorative luminaire family made from die-cast aluminum with a UV-stable polycarbonate diffuser

- Corrosion-resistant powder coating
- Symmetrical light pattern
- Diffuser made of UV-stable polycarbonate
- Wattages: 70/100/150 W, each with or without the option for power reduction (NAV®2 types)
- Colors: black (RAL 9011), forge-gray, others on request
- For mounting on 60/100 mm spigot
- Accessories: brackets (single, double and for wall mounting)
- Matching aluminum masts (4m) in luminaire color on request



VIALUX® II



All figures in mm

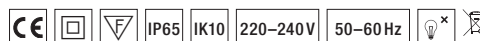
Product reference	Product number	COLOR	W	V	Hz			
VIALUX® II								
VIALUX II BK 70W Rx7s	4008321 982766	black	70	220-240	50-60	Rx7s	17.57	1x1
VIALUX II BK 150W Rx7s	4008321 982773	black	150	220-240	50-60	Rx7s-24	18.34	1x1
VIALUX II CD 70W Rx7s	4008321 982780	forge-gray	70	220-240	50-60	Rx7s	17.57	1x1
VIALUX II CD 150W Rx7s	4008321 982797	forge-gray	150	220-240	50-60	Rx7s-24	18.34	1x1

Accessories on p. 263

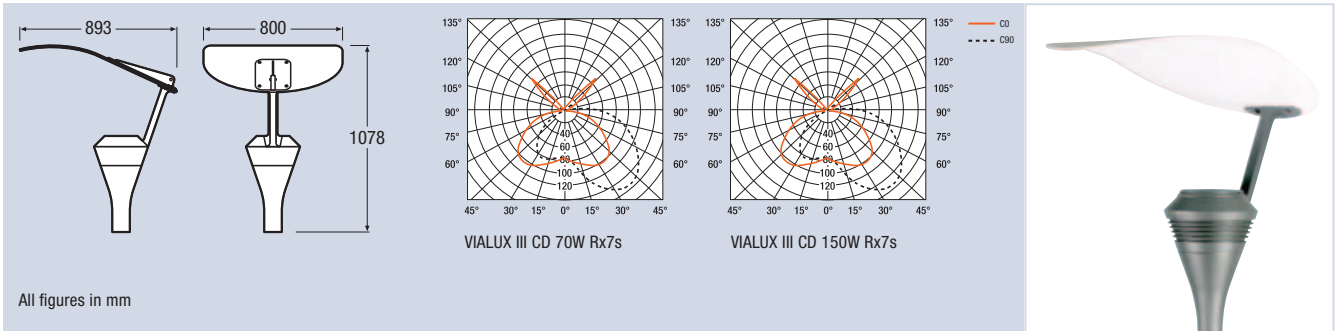
Features and benefits:

- Compact gear tray for easy maintenance
- Direct/indirect optics with reflector made of white, powder-coated aluminum plate to reduce glare and light pollution
- Same design in the VIALUX® family with different lighting technologies opens up design options with VIALUX® I and III
- Decorative luminaire family made from die-cast aluminum with secondary reflector made of aluminum plate
- Corrosion-resistant powder coating
- Symmetrical light pattern

- Primary reflector made from high-quality aluminum, for double-ended lamps (Rx7s)
- Cover made from impact-resistant glass
- Wattages: 70/150 W
- Colors: black (RAL 9011) and forge-gray
- For mounting on 60/100 mm spigot
- Accessories: brackets (single, double and for wall mounting)
- Matching aluminum masts (4m) in luminaire color on request



VIALUX® III



All figures in mm

Product reference	Product number	COLOR	W	V	Hz			
VIALUX® III								
VIALUX III BK 70W Rx7s	4008321 982803	black	70	220-240	50-60	Rx7s	19.92	1x1
VIALUX III BK 150W Rx7s	4008321 982810	black	150	220-240	50-60	Rx7s-24	20.69	1x1
VIALUX III CD 70W Rx7s	4008321 982827	forge-gray	70	220-240	50-60	Rx7s	19.92	1x1
VIALUX III CD 150W Rx7s	4008321 982834	forge-gray	150	220-240	50-60	Rx7s-24	20.69	1x1

Accessories on p. 263

Features and benefits:

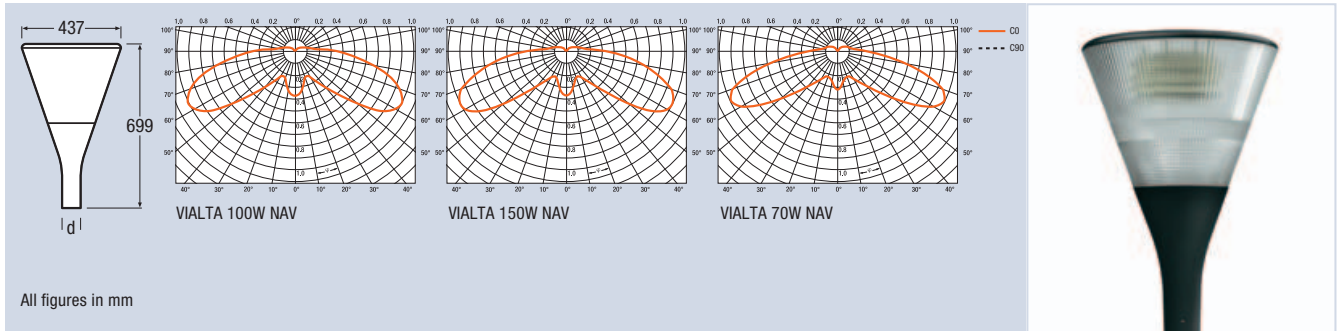
- Aesthetically appealing luminaire for city beautification projects
- Compact gear tray for easy maintenance
- Reflector sail made from solid, UV-stable, white, powder-coated aluminum plate (4 mm) with excellent long-term stability
- Stable in winds of up to 150 km/h
- Same design in the VIALUX® family with different lighting technologies opens up design options with VIALUX® I and II
- Decorative luminaire family made from die-cast aluminum with reflector sail made of aluminum
- Corrosion-resistant powder coating

- Asymmetrical light pattern
- Primary reflector made from high-quality aluminum, for double-ended lamps (Rx7s)
- Cover made from impact-resistant glass
- Wattages: 70/150 W
- Colors: black (RAL 9011) and forge-gray
- For mounting on 60/100 mm spigot
- Accessories: brackets (single, double and for wall mounting)
- Matching aluminum masts (4 m) in luminaire color on request



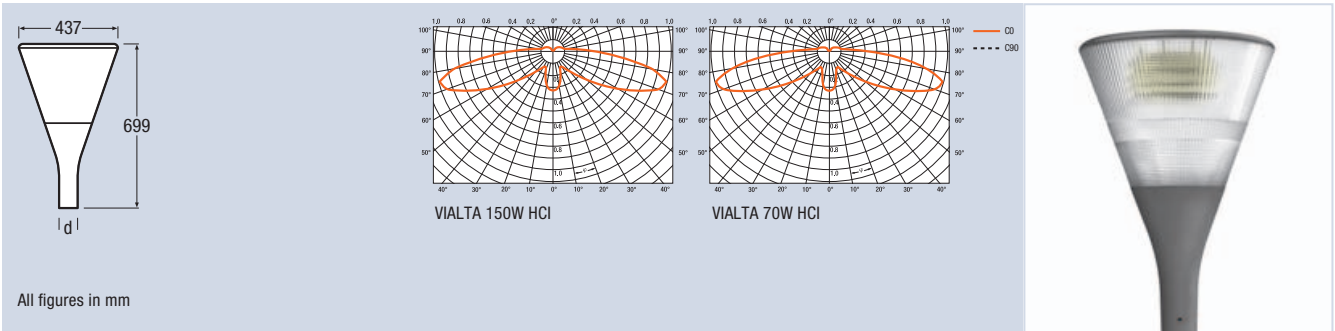
TOWN AND PARK LUMINAIRES

VIALTA®



Product reference	Product number	COLOR	W	V	Hz					
VIALTA® NAV®										
VIALTA60 70W BK E27 NAV	4008321982322	black	70	220-240	50-60	E27	33	-	6.19	1x1
VIALTA60 70W BK E27 NAV2	4008321982339	black	70	220-240	50-60	E27	33	NAV2	6.81	1x1
VIALTA78 70W BK E27 NAV	4008321982346	black	70	220-240	50-60	E27	60	-	6.31	1x1
VIALTA78 70W BK E27 NAV2	4008321982353	black	70	220-240	50-60	E27	60	NAV2	6.93	1x1
VIALTA60 100W BK E40 NAV	4008321982360	black	100	220-240	50-60	E40	33	-	6.84	1x1
VIALTA60 100W BK E40 NAV2	4008321982377	black	100	220-240	50-60	E40	33	NAV2	7.14	1x1
VIALTA78 100W BK E40 NAV	4008321982384	black	100	220-240	50-60	E40	60	-	6.96	1x1
VIALTA78 100W BK E40 NAV2	4008321982391	black	100	220-240	50-60	E40	60	NAV2	7.26	1x1
VIALTA60 150W BK E40 NAV	4008321982407	black	150	220-240	50-60	E40	33	-	7.32	1x1
VIALTA60 150W BK E40 NAV2	4008321982414	black	150	220-240	50-60	E40	33	NAV2	7.60	1x1
VIALTA78 150W BK E40 NAV	4008321982421	black	150	220-240	50-60	E40	60	-	7.44	1x1
VIALTA78 150W BK E40 NAV2	4008321982438	black	150	220-240	50-60	E40	60	NAV2	7.72	1x1
VIALTA60 70W CD E27 NAV	4008321982483	forge-gray	70	220-240	50-60	E27	33	-	6.19	1x1
VIALTA60 70W CD E27 NAV2	4008321982490	forge-gray	70	220-240	50-60	E27	33	NAV2	6.81	1x1
VIALTA78 70W CD E27 NAV	4008321982506	forge-gray	70	220-240	50-60	E27	60	-	6.31	1x1
VIALTA78 70W CD E27 NAV2	4008321982513	forge-gray	70	220-240	50-60	E27	60	NAV2	6.93	1x1
VIALTA60 100W CD E40 NAV	4008321982520	forge-gray	100	220-240	50-60	E40	33	-	6.84	1x1
VIALTA60 100W CD E40 NAV2	4008321982537	forge-gray	100	220-240	50-60	E40	33	NAV2	7.14	1x1
VIALTA78 100W CD E40 NAV	4008321982544	forge-gray	100	220-240	50-60	E40	60	-	6.96	1x1
VIALTA78 100W CD E40 NAV2	4008321982551	forge-gray	100	220-240	50-60	E40	60	NAV2	7.26	1x1
VIALTA60 150W CD E40 NAV	4008321982568	forge-gray	150	220-240	50-60	E40	33	-	7.32	1x1
VIALTA60 150W CD E40 NAV2	4008321982575	forge-gray	150	220-240	50-60	E40	33	NAV2	7.60	1x1
VIALTA78 150W CD E40 NAV	4008321982582	forge-gray	150	220-240	50-60	E40	60	-	7.44	1x1
VIALTA78 150W CD E40 NAV2	4008321982599	forge-gray	150	220-240	50-60	E40	60	NAV2	7.72	1x1

Accessories on p. 263



All figures in mm

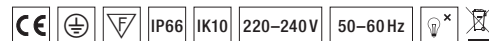
Product reference	Product number	COLOR	W	V	Hz				
VIALTA® HCl®									
VIALTA60 70W BK E27 HCl	4008321982285	black	70	220-240	50-60	E27	33	6.29	1x1
VIALTA60 150W BK E27 HCl	4008321982292	black	150	220-240	50-60	E27	33	7.09	1x1
VIALTA78 70W BK E27 HCl	4008321982308	black	70	220-240	50-60	E27	60	6.41	1x1
VIALTA78 150W BK E27 HCl	4008321982315	black	150	220-240	50-60	E27	60	7.21	1x1
VIALTA60 70W CD E27 HCl	4008321982445	forge-gray	70	220-240	50-60	E27	33	6.29	1x1
VIALTA60 150W CD E27 HCl	4008321982452	forge-gray	150	220-240	50-60	E27	33	7.09	1x1
VIALTA78 70W CD E27 HCl	4008321982469	forge-gray	70	220-240	50-60	E27	60	6.41	1x1
VIALTA78 150W CD E27 HCl	4008321982476	forge-gray	150	220-240	50-60	E27	60	7.21	1x1

Accessories on p. 263

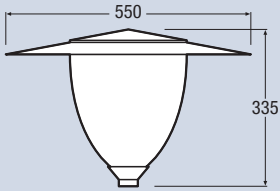
Features and benefits:

- Compact gear tray for easy maintenance
- Diffuser with prismatic structure for a pleasant light pattern
- Circular louvers to reduce glare and light pollution
- Decorative luminaire family made from die-cast aluminum with a UV-stable polycarbonate diffuser
- Corrosion-resistant powder coating, all external screws made of stainless steel
- Symmetrical light pattern
- Plastic diffuser made of UV-stable polycarbonate

- Wattages: 70/100/150W, each with or without the option for power reduction (NAV®2 types)
- Colors: black (RAL 9011) and forge-gray
- VIALTA® 60: outer diameter 60 mm, for 33/100 mm spigot
- VIALTA® 78: outer diameter 78 mm, for 60/100 mm spigot
- Accessories: brackets (single, double and for wall mounting)
- Matching aluminum masts (4 m) in luminaire color on request



FR2



All figures in mm



Product reference

Product number

COLOR

W

V

Hz



FR2

FR2 GR 70W E27 NAV

4008321983831

green

70

220-240

50-60

E27

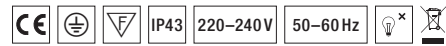
3.97

1x1

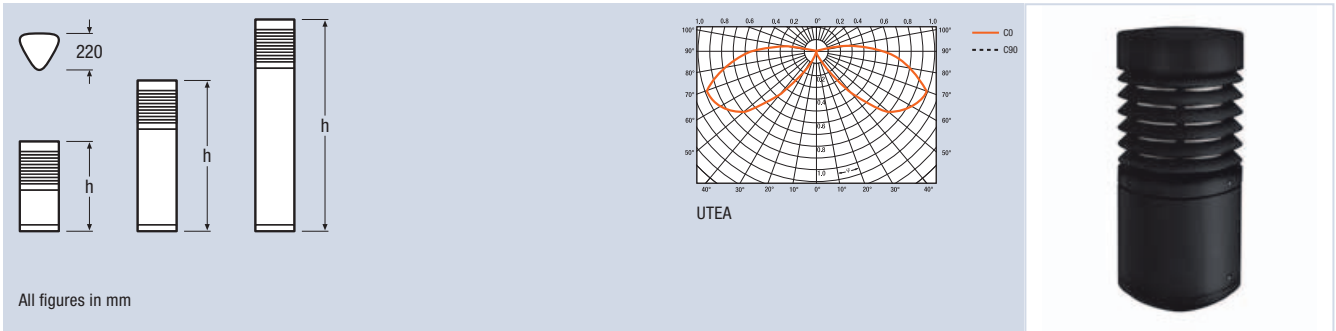
Features and benefits:

- Durable: robust, corrosion-resistant luminaire
- Impact-resistant polycarbonate diffuser, top cover made of aluminum, white enamel inside for greater efficiency
- Decorative outdoor luminaire made from die-cast aluminum with a UV-stable polycarbonate diffuser
- Corrosion-resistant powder coating, all external screws made of stainless steel

- Symmetrical light pattern
- Wattage: 70W for NAV® internal igniter lamps
- Color: green (RAL 6005)
- For mounting on 60/100mm spigot
- Matching aluminum masts (4 m) on request



UTEA®



All figures in mm

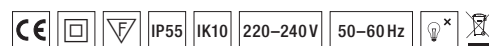
Product reference	Product number	COLOR	W	V	Hz		h [mm]	kg	
UTEA®									
UTEA H480 BK 24W CFL	4008321982162	black	max. 24	220–240	50–60	E27	480	7.34	1x1
UTEA H700 BK 24W CFL	4008321982179	black	max. 24	220–240	50–60	E27	700	8.87	1x1
UTEA H1000 BK 24W CFL	4008321982186	black	max. 24	220–240	50–60	E27	1000	10.97	1x1
UTEA H480 BK 70W HCl	4008321982193	black	70	220–240	50–60	E27	480	8.71	1x1
UTEA H700 BK 70W HCl	4008321982209	black	70	220–240	50–60	E27	700	10.24	1x1
UTEA H1000 BK 70W HCl	4008321982216	black	70	220–240	50–60	E27	1000	12.34	1x1
UTEA H480 COLORED 24W CFL	4008321982223	forge-gray	max. 24	220–240	50–60	E27	480	7.34	1x1
UTEA H700 COLORED 24W CFL	4008321982230	forge-gray	max. 24	220–240	50–60	E27	700	8.87	1x1
UTEA H1000 COLORED 24W CFL	4008321982247	forge-gray	max. 24	220–240	50–60	E27	1000	10.97	1x1
UTEA H480 COLORED 70W HCl	4008321982254	forge-gray	70	220–240	50–60	E27	480	8.71	1x1
UTEA H700 COLORED 70W HCl	4008321982261	forge-gray	70	220–240	50–60	E27	700	10.24	1x1
UTEA H1000 COLORED 70W HCl	4008321982278	forge-gray	70	220–240	50–60	E27	1000	12.34	1x1

Accessories on p. 263

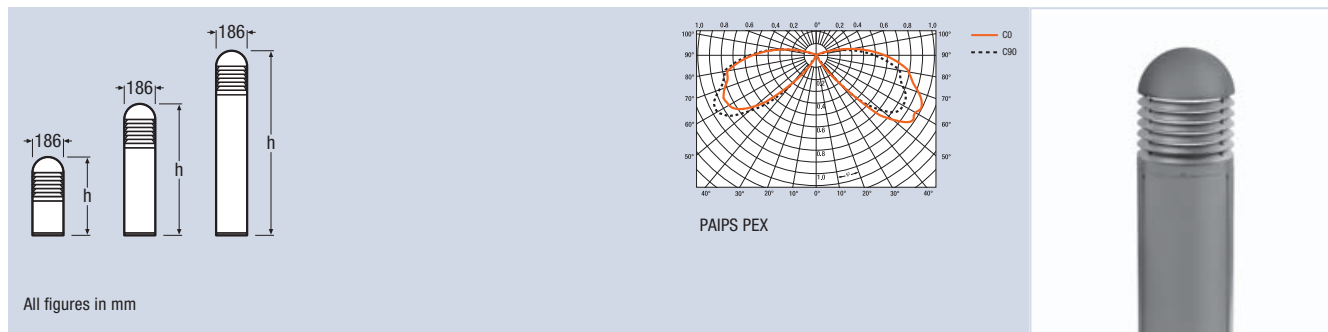
Bollard luminaires are preferred for public spaces to enhance squares, paths and pedestrian zones. For the growing sector of bollard luminaires with classic technology as well as with LED technology, OSRAM presents three product families that perfectly address the various aspects of this lighting task – UTEA®, PAIPS® and BARISO™. In addition to the applications mentioned above, UTEA® can be used to provide contemporary and elegant lighting for private gardens. The product is robust, durable and easy to install.

Features and benefits:

- Aesthetically appealing bollard luminaire with robust design
- Pleasant, glare-free light pattern
- Aesthetic, easy ground fixing, professional bollard luminaire made from die-cast aluminum
- Corrosion-resistant powder coating, all external screws made of stainless steel
- Circular louvers to reduce glare
- Diffuser with prismatic structure for a uniform light pattern
- Versions available for compact fluorescent lamps (CFLs) and high-intensity discharge lamps (NAV®)
- Three different heights: 480, 700 and 1000 mm
- Colors: black (RAL 9011), forge-gray
- Accessory: UTEA®/PAIPS® mounting kit



PAIPS® PEX



All figures in mm

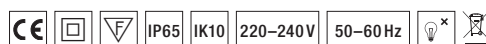
Product reference	Product number	COLOR	W	V	Hz		h [mm]		
PAIPS® PEX									
PAIPS PEX H480 BK 24W E27 CFLW	4008321605344	black	max. 24	220-240	50-60	E27	480	4.60	1x1
PAIPS PEX H700 BK 24W E27 CFLW	4008321605351	black	max. 24	220-240	50-60	E27	700	5.62	1x1
PAIPS PEX H1000 BK 24W E27 CFLW	4008321605405	black	max. 24	220-240	50-60	E27	1000	6.92	1x1
PAIPS PEX H480 GR 24W E27 CFLW	4008321605443	forge-gray	max. 24	220-240	50-60	E27	480	4.60	1x1
PAIPS PEX H700 GR 24W E27 CFLW	4008321605450	forge-gray	max. 24	220-240	50-60	E27	700	5.62	1x1
PAIPS PEX H1000 GR 24W E27 CFLW	4008321605467	forge-gray	max. 24	220-240	50-60	E27	1000	6.92	1x1
PAIPS PEX H480 BK 70W E27 NAV	4008321985194	black	70	220-240	50-60	E27	480	6.15	1x1
PAIPS PEX H700 BK 70W E27 NAV	4008321985200	black	70	220-240	50-60	E27	700	7.17	1x1
PAIPS PEX H1000 BK 70W E27 NAV	4008321985217	black	70	220-240	50-60	E27	1000	8.47	1x1
PAIPS PEX H480 FG 70W E27 NAV	4008321985224	forge-gray	70	220-240	50-60	E27	480	6.15	1x1
PAIPS PEX H700 FG 70W E27 NAV	4008321985231	forge-gray	70	220-240	50-60	E27	700	7.17	1x1
PAIPS PEX H1000 FG 70W E27 NAV	4008321985248	forge-gray	70	220-240	50-60	E27	1000	8.47	1x1
PAIPS PEX H480 BK E27 HCI	4008321985255	black	70	220-240	50-60	E27	480	6.15	1x1
PAIPS PEX H700 BK E27 HCI	4008321985262	black	70	220-240	50-60	E27	700	7.17	1x1
PAIPS PEX H1000 BK E27 HCI	4008321985279	black	70	220-240	50-60	E27	100	8.47	1x1
PAIPS PEX H480 FG E27 HCI	4008321985286	forge-gray	70	220-240	50-60	E27	480	6.15	1x1
PAIPS PEX H700 FG E27 HCI	4008321985293	forge-gray	70	220-240	50-60	E27	700	7.17	1x1
PAIPS PEX H1000 FG E27 HCI	4008321985309	forge-gray	70	220-240	50-60	E27	1000	8.47	1x1

Accessories on p. 263

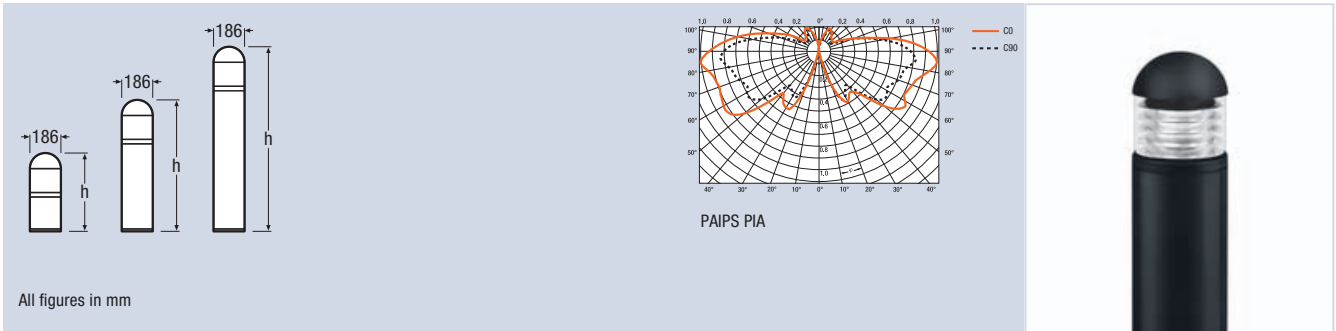
Features and benefits:

- Aesthetically appealing, slimline bollard luminaire
- External circular louvers and diffuser with prismatic structure for a soft light pattern
- Aesthetic, easy ground fixing, optional mounting kit
- Casing made of powder-coated die-cast aluminum
- All external screws are made of stainless steel and sit flush with the casing

- Versions available for general-purpose lamps (E27) and high-intensity discharge lamps (HCI®/NAV®)
- Three different heights: 480, 700 and 1000 mm
- Colors: black (RAL 9011), forge-gray
- Accessory: UTEA®/PAIPS® mounting kit



PAIPS® PIA



All figures in mm

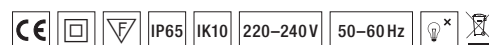
Product reference	Product number	COLOR	W	V	Hz				
PAIPS® PIA									
PAIPS PIA H480 BK 24W E27 CFLW	4008321605313	black	max. 24	220–240	50–60	E27	480	4.26	1x1
PAIPS PIA H700 BK 24W E27 CFLW	4008321605320	black	max. 24	220–240	50–60	E27	700	5.23	1x1
PAIPS PIA H1000 BK 24W E27 CFLW	4008321605337	black	max. 24	220–240	50–60	E27	1000	6.61	1x1
PAIPS PIA H480 FG 24W E27 CFLW	4008321605412	forge-gray	max. 24	220–240	50–60	E27	480	4.26	1x1
PAIPS PIA H700 FG 24W E27 CFLW	4008321605429	forge-gray	max. 24	220–240	50–60	E27	700	5.23	1x1
PAIPS PIA H1000 FG 24W E27 CFLW	4008321605436	forge-gray	max. 24	220–240	50–60	E27	1000	6.61	1x1
PAIPS PIA H480 BK 70W E27 NAV	4008321985132	black	70	220–240	50–60	E27	480	5.81	1x1
PAIPS PIA H700 BK 70W E27 NAV	4008321985149	black	70	220–240	50–60	E27	700	6.78	1x1
PAIPS PIA H1000 BK 70W E27 NAV	4008321985156	black	70	220–240	50–60	E27	1000	8.16	1x1
PAIPS PIA H480 FG 70W E27 NAV	4008321985163	forge-gray	70	220–240	50–60	E27	480	5.81	1x1
PAIPS PIA H700 FG 70W E27 NAV	4008321985170	forge-gray	70	220–240	50–60	E27	700	6.78	1x1
PAIPS PIA H1000 FG 70W E27 NAV	4008321985187	forge-gray	70	220–240	50–60	E27	1000	8.16	1x1
PAIPS PIA H480 BK E27 HCl	4008321985316	black	70	220–240	50–60	E27	480	5.81	1x1
PAIPS PIA H700 BK E27 HCl	4008321985323	black	70	220–240	50–60	E27	700	6.78	1x1
PAIPS PIA H1000 BK E27 HCl	4008321985330	black	70	220–240	50–60	E27	1000	8.16	1x1
PAIPS PIA H480 FG E27 HCl	4008321985347	forge-gray	70	220–240	50–60	E27	480	5.81	1x1
PAIPS PIA H700 FG E27 HCl	4008321985354	forge-gray	70	220–240	50–60	E27	700	6.78	1x1
PAIPS PIA H1000 FG E27 HCl	4008321985361	forge-gray	70	220–240	50–60	E27	1000	8.16	1x1

Accessories on p. 263

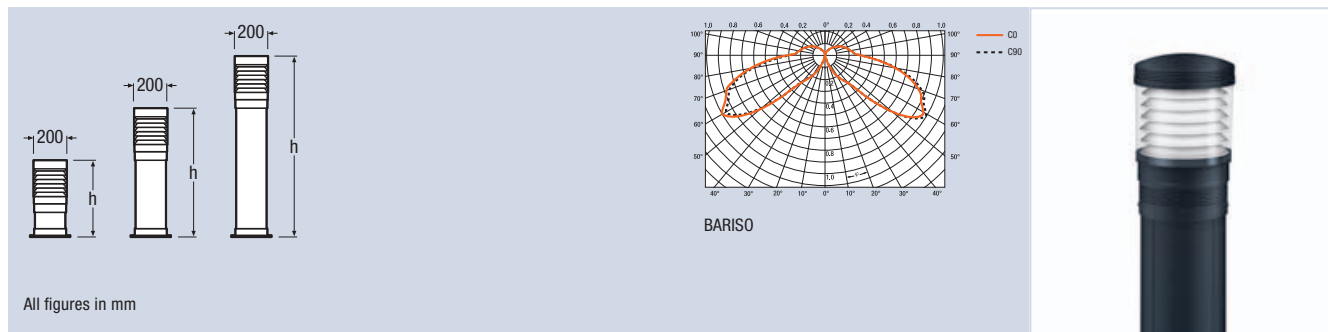
Features and benefits:

- Aesthetically appealing, slimline bollard luminaire
- Internal circular louvers made of aluminum with broad, effective light pattern and transparent PC diffuser
- Aesthetic, easy ground fixing, optional mounting kit
- Casing made of powder-coated die-cast aluminum
- All external screws are made of stainless steel and sit flush with the casing

- Versions available for general-purpose lamps (E27) and high-intensity discharge lamps (HCl®/NAV®)
- Three different heights: 480, 700 and 1000 mm
- Colors: black (RAL 9011), forge-gray
- Accessory: UTEA®/PAIPS® mounting kit



BARISO™



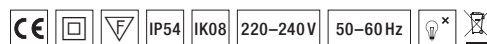
All figures in mm

Product reference	Product number	COLOR	W	V	Hz		h [mm]	kg	
BARISO™									
BARISO H410 BK 24W E27 CFL	4008321605030	black	max. 24	220–240	50–60	E27	410	2.90	1x1
BARISO H700 BK 24W E27 CFL	4008321605047	black	max. 24	220–240	50–60	E27	700	4.02	1x1
BARISO H1000 BK 24W E27 CFL	4008321605054	black	max. 24	220–240	50–60	E27	1000	4.78	1x1
BARISO H410 CD 24W E27 CFL	4008321605061	forge-gray	max. 24	220–240	50–60	E27	410	2.90	1x1
BARISO H700 CD 24W E27 CFL	4008321605078	forge-gray	max. 24	220–240	50–60	E27	700	4.02	1x1
BARISO H1000 CD 24W E27 CFL	4008321605085	forge-gray	max. 24	220–240	50–60	E27	1000	4.78	1x1
BARISO H410 BK 70W E27 NAV	4008321985071	black	70	220–240	50–60	E27	410	4.45	1x1
BARISO H700 BK 70W E27 NAV	4008321985088	black	70	220–240	50–60	E27	700	5.57	1x1
BARISO H1000 BK 70W E27 NAV	4008321985095	black	70	220–240	50–60	E27	1000	6.33	1x1
BARISO H410 FG 70W E27 NAV	4008321985101	forge-gray	70	220–240	50–60	E27	410	4.45	1x1
BARISO H700 FG 70W E27 NAV	4008321985118	forge-gray	70	220–240	50–60	E27	700	5.57	1x1
BARISO H1000 FG 70W E27 NAV	4008321985125	forge-gray	70	220–240	50–60	E27	1000	6.33	1x1





Features and benefits:

- Easy ground fixing with included mounting plate
- Professional, attractive bollard luminaire made from polycarbonate and PVC
- All external screws are made of stainless steel
- White circular louvers for a soft, attractive light pattern






- Diffuser made of transparent polycarbonate
- Versions available for general-purpose lamps (E27) and sodium vapor lamps (NAV®)
- Three different heights: 410, 700 and 1000 mm
- Colors: black (RAL 9011), forge-gray






ASTETICO® accessories

Product reference	Product number			
Horizontal coupling single				
ASTETICO S-HOR coupling	4008321983503	1.2	1x1	
Horizontal coupling double				
ASTETICO D-HOR coupling	4008321983510	1.08	1x1	

ELLYPTICA®, VIALUX® and VIALTA® accessories

Product reference	Product number			
Post-Top bracket single				
Post-Top bracket single	4008321983251	5.18	1x1	
Post-Top bracket double				
Post-Top bracket double	4008321983268	8.46	1x1	
Post-Top bracket wall				
Post-Top bracket wall	4008321983275	3.49	1x1	

UTEA® and PAIPS® accessory

Product reference	Product number			
Mounting kit				
UTEA/PAIPS mounting kit	4008321620934	0.64	1x1	



Bright, aesthetic, long-lasting.

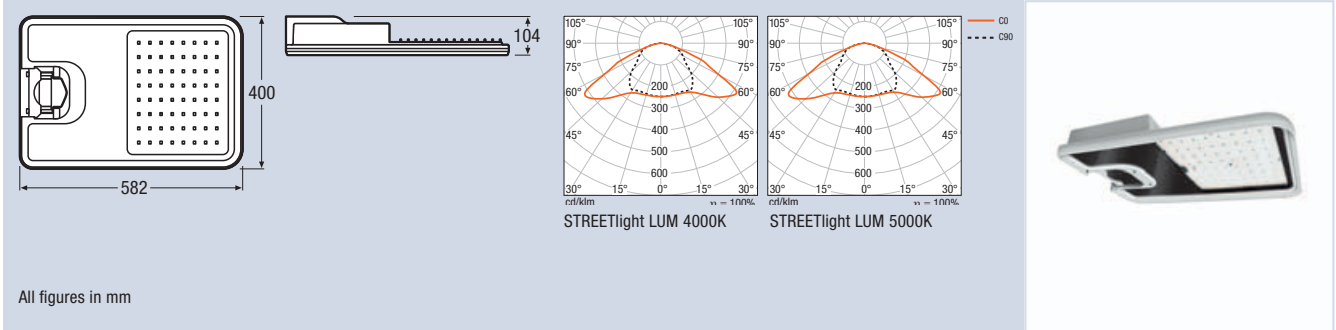
Without lighting, what would our cities look like at night? Light offers security, helps us find our way around and creates spaces. Squares, streets and footpaths are illuminated and given character – in line with their requirements based on their size, function and usage. OSRAM offers a wealth of innovative lighting solutions that combine the best properties for modern street lighting: bright and efficient, robust and aesthetic, durable and reliable.

Road luminaires

STREETlight LUM 90 & 180	266
ML-250	267
ML-150	268
Small Classic	269



STREETlight LUM 90 & 180



All figures in mm

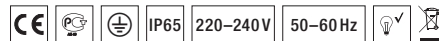
Product reference	Product number	COLOR	W	V	Hz			K		
STREETlight LUM 90										
STREETlight LUM 90 4000K	4008321 678270	light-gray	90	220–240	50–60	64	> 70	4000	12	32x1
STREETlight LUM 90 5000K	4008321 678256	light-gray	90	220–240	50–60	64	> 70	5000	12	32x1
STREETlight LUM 90 5000K ¹⁾	4008321 647498	light-gray	90	220–240	50–60	64	> 70	5000	12	1x1
STREETlight LUM 180										
STREETlight LUM 180 4000K	4008321 690975	light-gray	180	220–240	50–60	128	> 70	4000	14	1x1
STREETlight LUM 180 5000K	4008321 985712	light-gray	180	220–240	50–60	128	> 70	5000	14	1x1
STREETlight LUM 180 5000K ¹⁾	4008321 690944	light-gray	180	220–240	50–60	128	> 70	5000	14	1x1

¹⁾ Only for orders from Russia

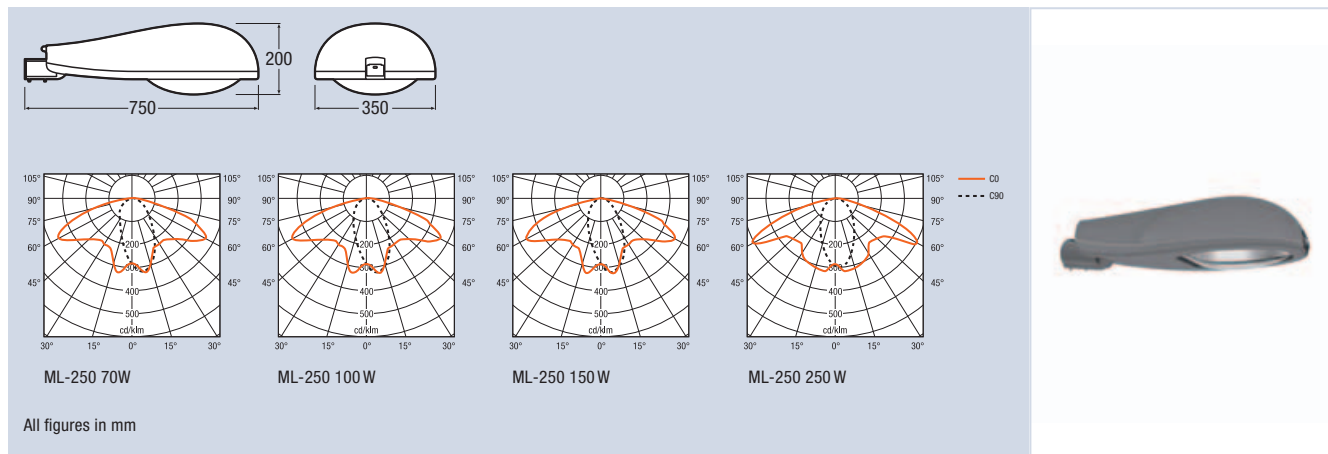
Features and benefits:

- Efficient street light equipped with OSRAM LEDs and OPTOTRONIC® control gear
- Long lifetime with low maintenance costs
- Housing made of powder-coated die-cast aluminum
- Primary optics on the LEDs ensure the correct light pattern
- Flat cover made from hardened glass
- Easy to install and maintain thanks to connector system

- Available in light-gray (RAL 7035)
- Power consumption: 90 or 180 W, light color: 5000 K, 4000 K
- Suitable for post-top and side-entry mounting
- For mounting on 54–76 mm spigot
- Matching aluminum masts (4 m) on request



ML-250

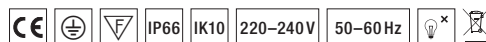


Product reference	Product number	COLOR	W	V	Hz				
ML-250									
ML-250 FG 70W E27 NAV	4008321 983527	forge-gray	70	220-240	50-60	E27	-	7.9	1x1
ML-250 FG 70W E27 NAV2	4008321 983534	forge-gray	70	220-240	50-60	E27	NAV2	8.1	1x1
ML-250 FG 100W E40 NAV HCl	4008321 983541	forge-gray	100	220-240	50-60	E40	-	8.6	1x1
ML-250 FG 100W E40 HCl2 NAV2	4008321 983558	forge-gray	100	220-240	50-60	E40	NAV2	8.8	1x1
ML-250 FG 150W E40 NAV HCl	4008321 983565	forge-gray	150	220-240	50-60	E40	-	9.4	1x1
ML-250 FG 150W E40 HCl2 NAV2	4008321 983572	forge-gray	150	220-240	50-60	E40	NAV2	9.6	1x1
ML-250 FG 250W E40 NAV HCl	4008321 983589	forge-gray	250	220-240	50-60	E40	-	9.9	1x1
ML-250 FG 250W E40 HCl2 NAV2	4008321 983596	forge-gray	250	220-240	50-60	E40	NAV2	10.1	1x1

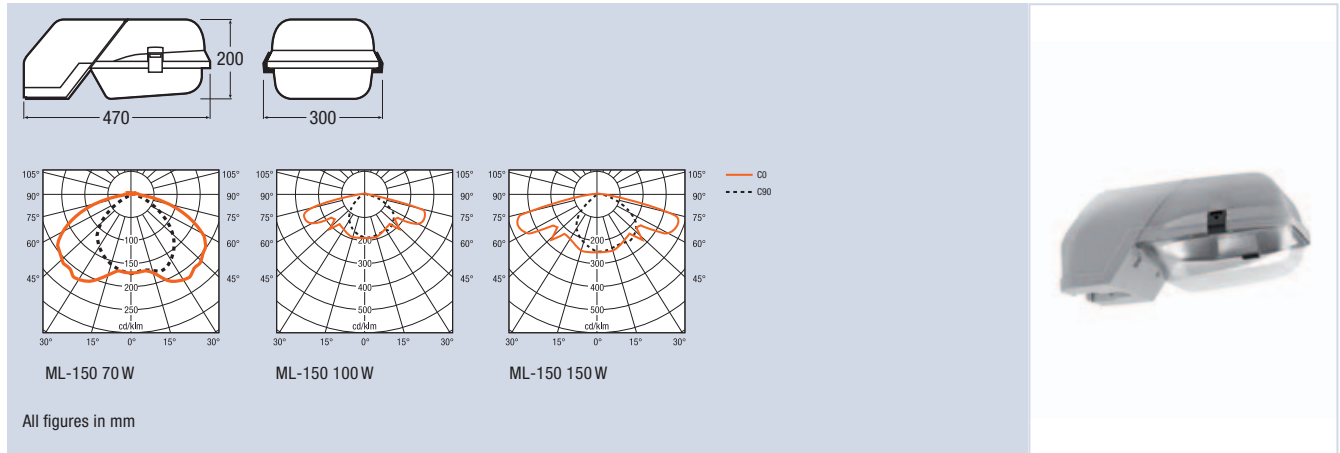
Features and benefits:

- Technical street light with either classic light sources (NAV®/HCl®) or LED modules
- High system efficiency and good quality of light
- Robust and attractive casing made of powder-coated die-cast aluminum
- Stainless steel front clip for easy maintenance
- Convex cover made of tempered glass
- High-quality aluminum reflector
- Precise distribution of light for good application efficiency

- Wattages: 70/100/150/250 W, each with or without the option for power reduction (NAV®2 types)
- Available in forge-gray
- Compact gear tray with connections for rapid installation and maintenance
- For mounting on 48-60 mm spigot
- Adjustable mast connection: 0-30° for post-top mounting, 5-25° for side-entry mounting
- Matching aluminum masts (4 m) on request



ML-150



All figures in mm

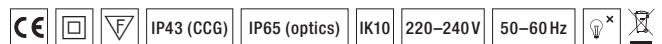
Product reference	Product number	COLOR	W	V	Hz				
ML-150									
ML-150 FG 70W E27 NAV VS1	4008321 983602	forge-gray	70	220-240	50-60	E27	-	5.1	1x1
ML-150 FG 70W E27 NAV2 VS1 ¹⁾	4008321 983619	forge-gray	70	220-240	50-60	E27	NAV2	5.7	1x1
ML-150 FG 100W E40 NAV VS1	4008321 983626	forge-gray	100	220-240	50-60	E40	-	5.6	1x1
ML-150 FG 100W E40 NAV2 VS1 ¹⁾	4008321 983633	forge-gray	100	220-240	50-60	E40	NAV2	6.2	1x1
ML-150 FG 150W E40 NAV VS1 ¹⁾	4008321 983640	forge-gray	150	220-240	50-60	E40	-	6.5	1x1
ML-150 FG 150W E40 NAV2 VS1 ¹⁾	4008321 983657	forge-gray	150	220-240	50-60	E40	-	7.1	1x1
ML-150 CD 70W E27 NAV VS1	4008321 983664	blue	70	220-240	50-60	E27	-	5.1	1x1
ML-150 CD 70W E27 NAV2 VS1 ¹⁾	4008321 983671	blue	70	220-240	50-60	E27	NAV2	5.7	1x1
ML-150 CD 100W E40 NAV VS1	4008321 983688	blue	100	220-240	50-60	E40	-	5.6	1x1
ML-150 CD 100W E40 NAV2 VS1 ¹⁾	4008321 983695	blue	100	220-240	50-60	E40	NAV2	6.2	1x1
ML-150 CD 150W E40 NAV VS1 ¹⁾	4008321 983701	blue	150	220-240	50-60	E40	-	6.5	1x1
ML-150 CD 150W E40 NAV2 VS1 ¹⁾	4008321 983718	blue	150	220-240	50-60	E40	-	7.1	1x1

1) Only available by order

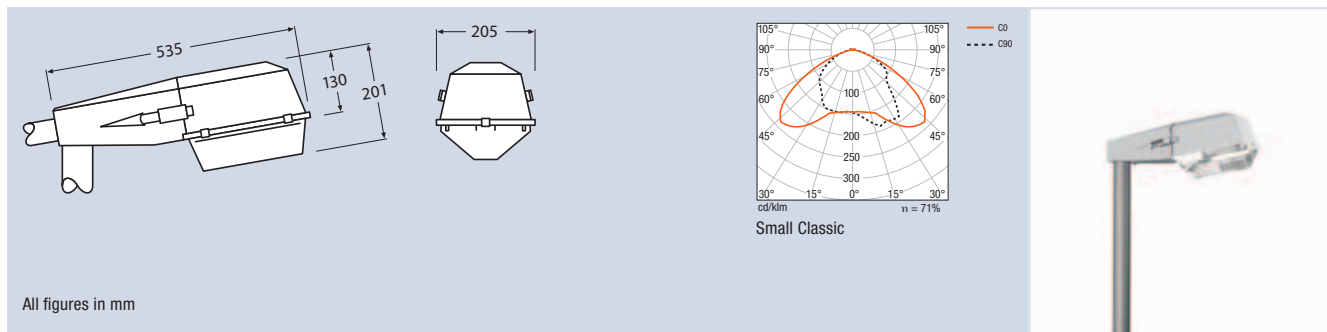
Features and benefits:

- Technical outdoor luminaire made of UV-stable polycarbonate
- Compact gear tray made of PC with plug connections for rapid installation and maintenance
- Polycarbonate cover (UV-stable) with cast seal
- Robust polycarbonate casing
- Separate cover for easy access to the control gear

- Flexible reflector made of high-quality aluminum
- Wattages: 70/100/150W, each with or without the option for power reduction (NAV[®]2 types)
- Mounting on mast connection:
 - Post-top mounting for 36-60 mm spigot
 - Side-entry mounting for 48-60 mm bracket
- Matching aluminum masts (4 m) on request



Small Classic



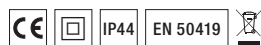
All figures in mm

Product reference	Product number	COLOR	W	V	Hz			
Small Classic								
Small Classic 1x50W HSE	4039806 077387	light-gray	50	230	50	E27	5.2	1x1

Features and benefits:

- The luminaire housing is made of die-cast aluminum and paint-coated in light-gray (RAL 7035)
- Cover made from PMMA
- Comes equipped with a superimposed pulse ignitor with automatic power-off function

- Has an aluminum bowl reflector with a wide beam angle
- Mounting method, mounting location: side-entry, post-top, to mast, on mast





Strong, robust, impressive.

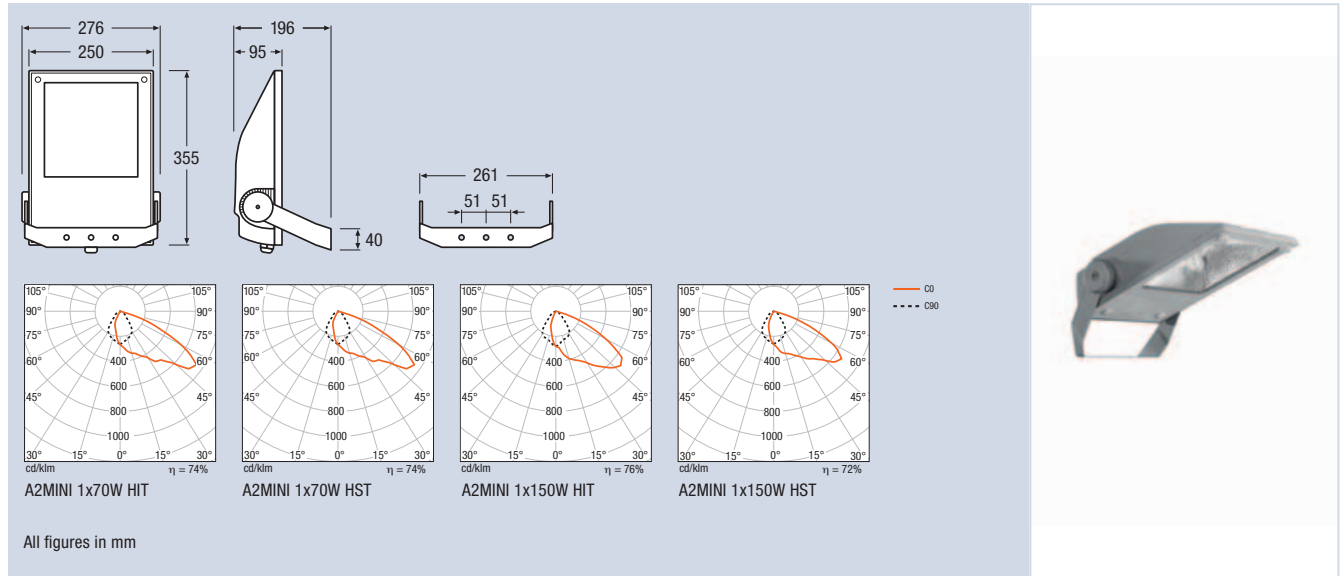
Sports events are exciting because of the highly charged atmosphere they generate. Lighting plays an important part here, spotlighting the players and providing a visual framework. Projectors and floodlights from OSRAM offer impressive luminance, high light quality and an excellent energy balance. They are therefore also ideal for illuminating facades, monuments and parks.

Projectors & floodlights

SiCOMPACT®A2 Mini	272
SiCOMPACT®A2 Midi	273
HALODIUM® II SYM	274
HALODIUM® II ASM	275
SATURNO II	276



SiCOMPACT®A2 Mini



Product reference	Product number	COLOR		W	lm		
SiCOMPACT®A2 Mini							
SICOMPACT A2 Mini 1x70W wide beam	4039806623942	metallic gray	Rx7s	70	6800	6.0	1x1
SICOMPACT A2 Mini 1x150W wide beam	4039806623959	metallic gray	Rx7s	150	15000	6.8	1x1

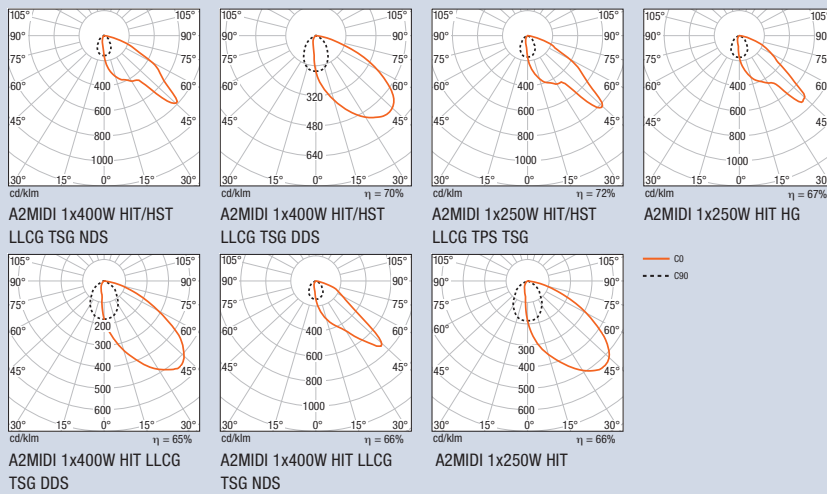
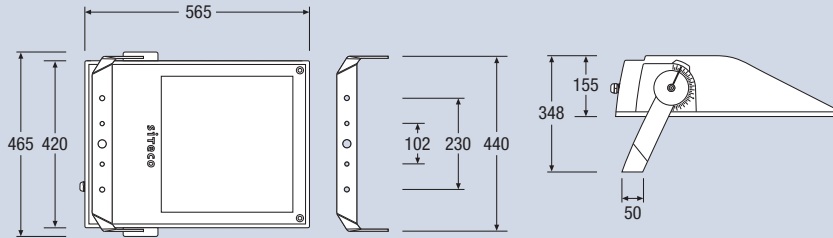
Features and benefits:

- No light spill: light immission 0 % with horizontal mounting
- Luminaire family in uniform design and three construction sizes
- Diverse installation possibilities: variations with mounting bracket, mast mounting and wall mounting

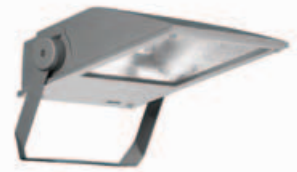
- Asymmetrical reflector made from highly specular aluminum
- Integrated control gear (ECG or LLCG) and parallel power factor correction
- Cover of toughened safety glass (TSG)
- Delivery without lamp



SiCOMPACT® A2 Midi



All figures in mm



Product reference

Product number

COLOR



W

lm

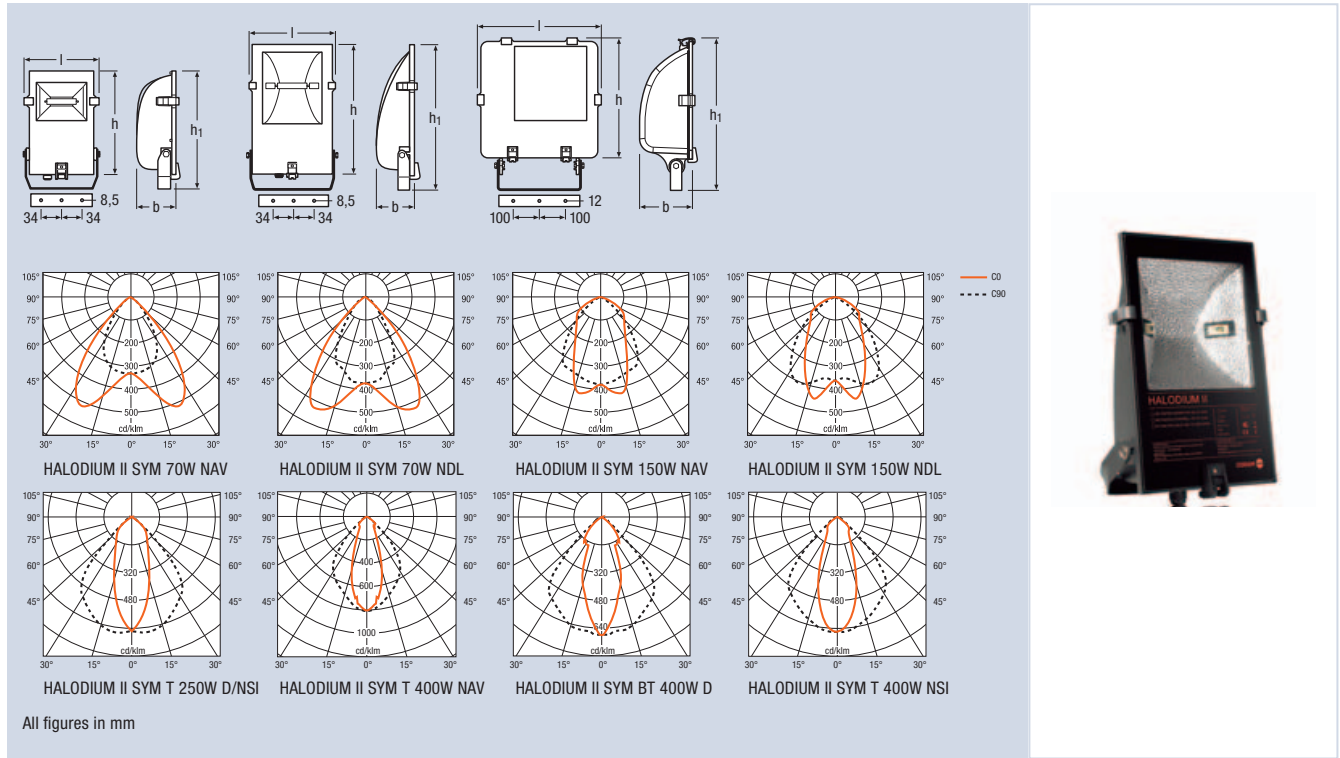
Kg



SiCOMPACT® A2 Midi

SiCOMPACT A2 Midi 1x250W HIT/HST LLCG TSG NDS	403980623737	metallic gray	E40	250	33200	18.3	1x1
SiCOMPACT A2 Midi 1x250W HIT/HST LLCG TSG DDS	403980623690	metallic gray	E40	250	33200	18.3	1x1
SiCOMPACT A2 Midi 1x400W HIT/HST LLCG TSG NDS	403980623751	metallic gray	E40	400	56500	19.9	1x1
SiCOMPACT A2 Midi 1x400W HIT/HST LLCG TSG DDS	403980623713	metallic gray	E40	400	56500	19.7	1x1

HALODIUM® II SYM

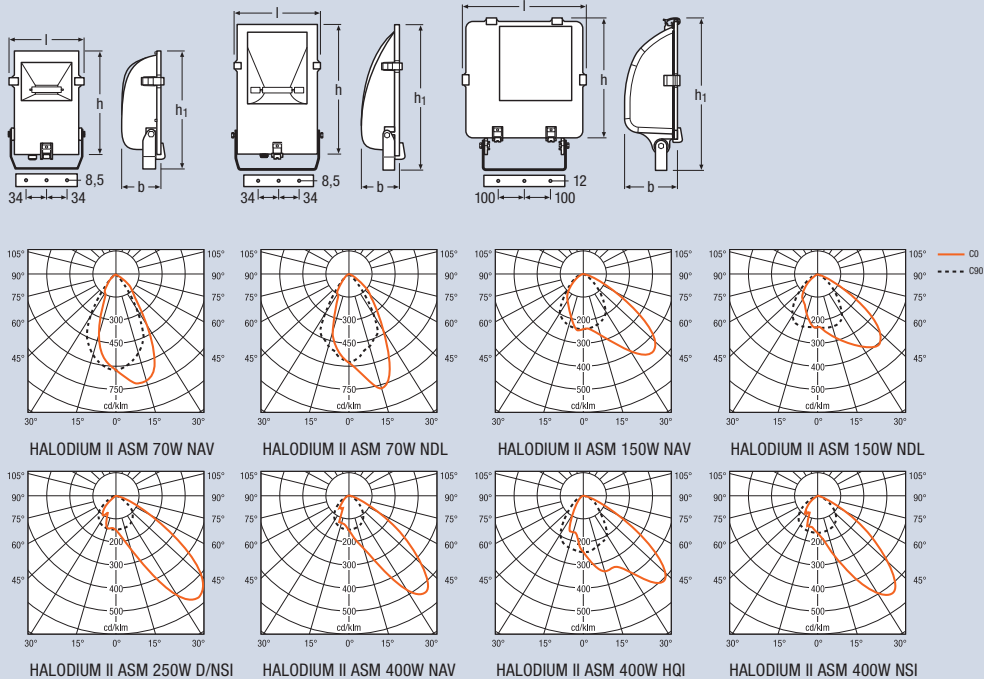


Product reference	Product number	COLOR		η_{LB}	W	h_1 [mm]	h [mm]	l [mm]	b [mm]	
HALODIUM® II SYM										
HALODIUM II SYM TS 70 W NAV	4008321940148	anthracite	Rx7s	0.69	70	340	296	214	112	1x1
HALODIUM II SYM TS 70 W NDL	4008321940063	anthracite	Rx7s	0.70	70	340	296	214	112	1x1
HALODIUM II SYM TS 150 W NAV	4008321940162	anthracite	Rx7s-24	0.73	150	440	390	260	120	1x1
HALODIUM II SYM TS 150 W NDL	4008321940087	anthracite	Rx7s-24	0.71	150	440	390	260	120	1x1
HALODIUM II SYM T 250 W NAV	4008321940186	anthracite	E40	0.75	250	535	421	437	195	1x1
HALODIUM II SYM T 250 W D	4008321940100	anthracite	E40	0.74	250	535	421	437	195	1x1
HALODIUM II SYM T 250 W NSI	4008321940223	anthracite	E40	0.74	250	535	421	437	195	1x1
HALODIUM II SYM T 400 W NAV	4008321940209	anthracite	E40	0.75	400	535	421	437	195	1x1
HALODIUM II SYM BT 400 W D	4008321940124	anthracite	E40	0.74	400	535	421	437	195	1x1
HALODIUM II SYM T 400 W NSI	4008321940247	anthracite	E40	0.70	400	535	421	437	195	1x1
HALODIUM II AZ 70W SYM	4008321582881	anthracite	Rx7s	-	70	340	296	214	112	1x1
HALODIUM II AZ 150W SYM	4008321582904	anthracite	Rx7s-24	-	150	440	390	260	120	1x1
HALODIUM II AZ 250W SYM	4008321583413	anthracite	E40	-	250	535	421	437	195	1x1
HALODIUM II AZ 400W SYM	4008321583437	anthracite	E40	-	400	535	421	437	195	1x1

This symmetrical hose-proof outdoor spotlight is ready for installation and has a tough 5-mm shield made of tempered glass with a mesh overprint. Moreover, the casing is made of sand-blasted aluminum with a polyester powder coating for good corrosion protection. HALODIUM® II is ideal for spotlighting facades and monuments as well as for illuminating parks.

Accessories on p. 277

HALODIUM® II ASM



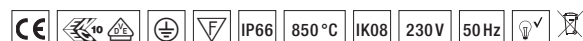
All figures in mm

Product reference	Product number	COLOR		η_{LB}	W	h_1 (mm)	h (mm)	l (mm)	b (mm)	
HALODIUM® II ASM										
HALODIUM II ASM TS 70 W NAV	4008321940155	anthracite	Rx7s	0.70	70	340	296	214	112	1x1
HALODIUM II ASM TS 70 W NDL	4008321940070	anthracite	Rx7s	0.71	70	340	296	214	112	1x1
HALODIUM II ASM TS 150 W NAV	4008321940179	anthracite	Rx7s-24	0.75	150	440	390	260	120	1x1
HALODIUM II ASM TS 150 W NDL	4008321940094	anthracite	Rx7s-24	0.74	150	440	390	260	120	1x1
HALODIUM II ASM T 250 W NAV	4008321940193	anthracite	E40	0.68	250	535	421	437	195	1x1
HALODIUM II ASM T 250 W D	4008321940117	anthracite	E40	0.65	250	535	421	437	195	1x1
HALODIUM II ASM T 250 W NSI	4008321940230	anthracite	E40	0.65	250	535	421	437	195	1x1
HALODIUM II ASM T 400 W NAV	4008321940216	anthracite	E40	0.71	400	535	421	437	195	1x1
HALODIUM II ASM BT 400 W D	4008321940131	anthracite	E40	0.66	400	535	421	437	195	1x1
HALODIUM II ASM T 400 W NSI	4008321940254	anthracite	E40	0.62	400	535	421	437	195	1x1
HALODIUM II AZ 70W ASM	4008321582898	anthracite	Rx7s	-	70	340	296	214	112	1x1
HALODIUM II AZ 150W ASM	4008321582911	anthracite	Rx7s-24	-	150	440	390	260	120	1x1
HALODIUM II AZ 250W ASM	4008321583420	anthracite	E40	-	250	535	421	437	195	1x1
HALODIUM II AZ 400W ASM	4008321583444	anthracite	E40	-	400	535	421	437	195	1x1

Features and benefits:

- Luminaire including HQI® metal halide lamp or NAV® high-pressure sodium lamp and control gear
- HALODIUM II SYM: symmetrical hammered reflector made of anodized aluminum
HALODIUM II ASM: asymmetrical hammered reflector made of anodized aluminum
- Mounting bracket made of zinc-plated steel; swivels through 180°

- Hinged protective shield fixed to the luminaire casing, lockable with aluminum snap hooks
- Windage area: TS 70 W <0.065m², TS 150 W <0.10 m², T 250W/400 W <0.17 m²
- Power supply via nylon cable gland for H05RN-F or H07RN-F
- Screw terminal for cable diameter of 2.5 mm²
- Operating temperature -20°C to +35°C



SATURNO II

All figures in mm

Product reference	Product number	COLOR	W	
SATURNO II SYM				
SATURNO II SYM 1000/2000W	4008321414045	anthracite	1000/2000	1x1

All figures in mm

Product reference	Product number	COLOR	W	
SATURNO II ASM				
SATURNO II ASM 400W	4008321414052	anthracite	400	1x1
SATURNO II ASM 1000W	4008321414069	anthracite	1000	1x1

Features and benefits: SATURNO II SYM

- Luminaire suitable for 1000 W or 2000 W HQI®-T metal halide lamp or NAV®-T high-pressure sodium lamp
- Symmetrical reflector made from aluminum with reflective coating
- Lamp with dedicated equipment box comprising control gear, capacitor and operating device to be ordered separately
- Operating temperature -20 °C to +35 °C
- Anti-glare shield available as an accessory
- Delivery time on request
- Mounting on mast connection:
Post-top mounting for 36–60 mm spigot
Side-entry mounting for 48–60 mm bracket
- Matching aluminum masts (4 m) on request

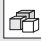
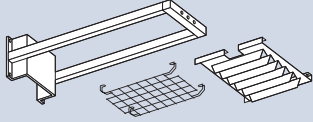

Features and benefits: SATURNO II ASM



- Luminaire suitable for 400 W or 1000 W HQI®-T metal halide lamp or NAV®-T high-pressure sodium lamp
- SATURNO II 400W ASM 65°: integrated control gear, lamp to be ordered separately
- SATURNO II 1000W ASM 65°: equipment box comprising control gear, capacitor and lamp to be ordered separately
- Asymmetrical reflector made from aluminum with reflective coating
- Operating temperature -20 °C to +35 °C
- Protective grid, louver shield and mounting bracket available as accessories
- Delivery time on request







Accessories on p. 278

HALODIUM® II accessories

Product reference	Product number			
HALODIUM® II protective shield				
Protective shield HALODIUM II SYM 70W	4008321 388322	1x1	All figures in mm	
Protective shield HALODIUM II ASM 70W	4008321 388339	1x1		
Protective shield HALODIUM II SYM/ASM 150W	4008321 388346	1x1		
Protective shield HALODIUM II SYM/ASM 250W/400W	4008321 388360	1x1		

Product reference	Product number	COLOR		
HALODIUM® II protective grating				
Protective grating HALODIUM II 70W	4050300 153599	metallic	2x1	
Protective grating HALODIUM II 150W	4050300 529547	metallic	2x1	
Protective grating HALODIUM II 250W/400W	4050300 104539	metallic	2x1	

Product reference	Product number	COLOR		
HALODIUM® II lamella grid				
Lamella grid HALODIUM II 70W	4050300 153605	black	2x1	
Lamella grid HALODIUM II 150W	4050300 783727	black	2x1	
Lamella grid HALODIUM II 250W/400W	4050300 104522	black	2x1	

Product reference	Product number	COLOR		
HALODIUM® II mounting bracket				
Mounting bracket HALODIUM II 70W/150W	4008321 380388	anthracite	1x1	
Mounting bracket HALODIUM II 250W/400W	4008321 380395	anthracite	1x1	



SATURNO II accessories

Product reference	Product number		
SATURNO II glass			
Glass SATURNO II SYM 1000/2000W	4008321 447883		1x1
Glass SATURNO II ASM 400W/1000W	4008321 447937		1x1
			
Product reference	Product number		
SATURNO II deflector			
Deflector SATURNO II SYM 1000/2000W	4008321 447876		1x1
			
Product reference	Product number		
SATURNO II protective grid			
Grid SATURNO II ASM 400W/1000W	4008321 447913		1x1
Prot. grid SATURNO II ASM 400W/1000W	4008321 447920		1x1
			
Product reference	Product number		
SATURNO II polemount			
Polemount SATURNO II ASM 400W/1000W	4008321 447906		1x1
			

**Product
reference**

**Product
number**



SATURNO II box

BOX NA- QIT 1000W 8.9/10.3A	4008321414151	1x1
BOX HQIT 2000W N 8.8A	4008321414168	1x1
BOX HQIT 2000W N/E N/SN 8.8A	4008321414175	1x1
BOX HQIT 2000W N 230V 16.5A	4008321414182	1x1
BOX HQIT 2000W D/DI 10.3A	4008321414199	1x1
BOX HQI-TS 2000W DS 11.3A	4008321414205	1x1



Overview by product name

Procut reference	Product number	Page	Procut reference	Product number	Page
APOLLON II BASIC – F	4008321657107	24	ASTETICO Flood 100W E27 HCI	4008321983404	249
APOLLON II BASIC – F row system	4008321657435	25	ASTETICO Flood 100W E40 NAV2	4008321983459	249
APOLLON II BASIC – P	4008321657374	24	ASTETICO Flood 100W E40 NAV	4008321983442	249
APOLLON II BASIC – P row system	4008321657503	25	ASTETICO Flood 150W E27 HCI	4008321983411	249
APOLLON II PRO – F	4008321657381	24	ASTETICO Flood 150W E40 NAV2	4008321983473	249
APOLLON II PRO – F row system	4008321657510	25	ASTETICO Flood 150W E40 NAV	4008321983466	249
APOLLON II PRO – P	4008321657398	24	ASTETICO Flood 250W E40 NAV2	4008321983497	249
APOLLON II PRO – P row system	4008321657527	25	ASTETICO Flood 250W E40 NAV	4008321983480	249
APPLICA-E (Eyelid)	4008321606174	222	ASTETICO Road 70W E27 HCI	4008321983282	248
APPLICA-F (Flat)	4008321606150	222	ASTETICO Road 70W E27 NAV2	4008321983329	248
APPLICA-G (Grid)	4008321606198	222	ASTETICO Road 70W E27 NAV	4008321983312	248
AquaLED 2 L 230V I 830 CG 10°	4008321988898	236	ASTETICO Road 100W E27 HCI	4008321983299	248
AquaLED 2 L 230V I 830 CG 36°	4008321988904	236	ASTETICO Road 100W E40 NAV2	4008321983343	248
AquaLED 2 L 230V I 830 SG 10°	4008321988973	236	ASTETICO Road 100W E40 NAV	4008321983336	248
AquaLED 2 L 230V I 830 SG 36°	4008321988980	236	ASTETICO Road 150W E27 HCI	4008321983305	248
AquaLED 2 L 230V I 840 CG 10°	4008321988911	236	ASTETICO Road 150W E40 NAV2	4008321983367	248
AquaLED 2 L 230V I 840 CG 36°	4008321988928	236	ASTETICO Road 150W E40 NAV	4008321983350	248
AquaLED 2 L 230V I 840 SG 10°	4008321988997	236	ASTETICO Road 250W E40 NAV2	4008321983381	248
AquaLED 2 L 230V I 840 SG 36°	4008321989000	236	ASTETICO Road 250W E40 NAV	4008321983374	248
AquaLED 2 L pre-recessed tube	4008321989215	237	ASTETICO S-HOR coupling	4008321983503	263
AquaLED 2 M 24V 830	4008321988805	234	BARISO H410 BK 24W E27 CFL	4008321605030	262
AquaLED 2 M 24V 840	4008321988812	234	BARISO H410 BK 70W E27 NAV	4008321985071	262
AquaLED 2 M 24V B	4008321988829	234	BARISO H410 CD 24W E27 CFL	4008321605061	262
AquaLED 2 M 230V 830	4008321988836	234	BARISO H410 FG 70W E27 NAV	4008321985101	262
AquaLED 2 M 230V 840	4008321988843	234	BARISO H700 BK 24W E27 CFL	4008321605047	262
AquaLED 2 M 230V B	4008321988850	234	BARISO H700 BK 70W E27 NAV	4008321985088	262
AquaLED 2 pre-recessed tube	4008321988881	235	BARISO H700 CD 24W E27 CFL	4008321605078	262
AquaLED 2 S 24V 830	4008321988744	234	BARISO H700 FG 70W E27 NAV	4008321985118	262
AquaLED 2 S 24V 840	4008321988751	234	BARISO H1000 BK 24W E27 CFL	4008321605054	262
AquaLED 2 S 24V B	4008321988768	234	BARISO H1000 BK 70W E27 NAV	4008321985095	262
AquaLED 2 S 230V 830	4008321988775	234	BARISO H1000 CD 24W E27 CFL	4008321605085	262
AquaLED 2 S 230V 840	4008321988782	234	BARISO H1000 FG 70W E27 NAV	4008321985125	262
AquaLED 2 S 230V B	4008321988799	234	BEETLED EU	4008321421517	188
AquaLED 2 XL 230V I 830 CG 10°	4008321989055	237	BOX HQIT 2000W D/DI 10.3A	4008321414199	279
AquaLED 2 XL 230V I 830 CG 36°	4008321989062	237	BOX HQIT 2000W N 8.8A	4008321414168	279
AquaLED 2 XL 230V I 830 SG 10°	4008321989130	237	BOX HQIT 2000W N 230V 16.5A	4008321414182	279
AquaLED 2 XL 230V I 830 SG 36°	4008321989147	237	BOX HQIT 2000W N/E N/SN 8.8A	4008321414175	279
AquaLED 2 XL 230V I 840 CG 10°	4008321989079	237	BOX HQI-TS 2000W DS 11.3A	4008321414205	279
AquaLED 2 XL 230V I 840 CG 36°	4008321989086	237	BOX NA- QIT 1000W 8.9/10.3A	4008321414151	279
AquaLED 2 XL 230V I 840 SG 10°	4008321989154	237	BULKHEAD-CR GR 28W	4008321606129	225
AquaLED 2 XL 230V I 840 SG 36°	4008321989161	237	BULKHEAD-CR GR 52W	4008321606143	225
AquaLED 2 XL pre-recessed tube	4008321989222	237	BULKHEAD-EC BK	4008321612861	224
AQUALINE T5 Oval Sleeve PMMA + Rings 24W	4008321193919	176	BULKHEAD-EC WT	4008321612885	224
AQUALINE T5 Oval Sleeve PMMA + Rings 54W	4008321193926	176	BULKHEAD-OL-L H186 BK	4008321615886	223
AQUALINE T5 Oval Sleeve PMMA + Rings 80W	4008321193971	176	BULKHEAD-OL-L H186 WT	4008321615909	223
AQUALINE T5 RTP/R 1x24W	4008321173744	175	BULKHEAD-OL-S H170 BK	4008321620859	223
AQUALINE T5 RTP/R 1x54W	4008321173751	175	BULKHEAD-OL-S H170 WT	4008321620873	223
AQUALINE T5 RTP/R 1x80W	4008321173768	175	BULKHEAD-RD BK	4008321612809	224
AQUALINE T5 RTP/R 2x54W	4008321173799	175	BULKHEAD-RD WT	4008321612847	224
AQUALINE T5 RTP/R 2x80W	4008321173829	175	CAK 15	4008321903945	214
AQUALINE T5 Sleeve PC + Rings 24W	4008321185372	176	CAK 15	4050300003375	213
AQUALINE T5 Sleeve PC + Rings 54W	4008321185402	176	CAK 15	4050300050386	214
AQUALINE T5 Sleeve PC + Rings 80W	4008321185419	176	CAK 15	4050300831411	214
ASTETICO D-HOR coupling	4008321983510	263	CAK	4050300018119	214
ASTETICO Flood 70W E27 HCI	4008321983398	249	CAK/K-03	4050300213774	214
ASTETICO Flood 70W E27 NAV2	4008321983435	249	CALYX Ceiling	4008321984142	45
ASTETICO Flood 70W E27 NAV	4008321983428	249	CALYX Pendant	4008321984333	29

Prodcut reference	Product number	Page	Prodcut reference	Product number	Page
CAMPING ENERGY AUTOMATIC SI	4050300776057	206	DEDRA T8 DPTB KIT 4x18W/840 DALI	4008321645913	114
CAMPING HALOGEN DIM SI	4050300900063	206	DEDRA T8 DPTB KIT 4x18W/840 HF	4008321526496	114
CHAIN STEEL GALV 5.6x31mm	4039806184306	170	DEDRA T8 VABS KIT 4x18W/830 HF	4008321526540	116
CIK 15	4050300003344	213	DEDRA T8 VABS KIT 4x18W/840 HF	4008321526533	116
CIK 15	4050300050423	214	DEDRA T8 VATS KIT 4x18W/830 HF	4008321526526	115
CIK 15	4050300853147	214	DEDRA T8 VATS KIT 4x18W/840 HF	4008321526519	115
CIK/ K-03	4050300018058	214	DEDRA T8 VB KIT 4x18W/840 HF	4008321526557	117
Connecting cable	4050300125602	101	Deflector SATURNO II SYM 1000/2000W	4008321447876	278
Connecting cable	4050300125626	101	DELTA 2x36W HF	4050300188850	118
Connecting cable	4050300125640	101	DELTA 2x36W HF DIM	4050300188836	118
COPILOT-K	4050300010632	199	DELTA 2x55W HF	4050300188867	118
COPILOT-L 24	4050300014067	199	DELTA 2x55W HF DIM	4050300188843	118
COPILOT-L	4050300014050	199	DELTA KIT 2x36W/840 HF	4008321126504	118
COPILOT-M	4050300016856	199	DELTA KIT 2x55W/840 HF	4008321126924	118
Covelight Connection Cable	4008321685469	79	DIADEM 1x58W ASM	4008321962331	39
Covelight Entry Cable EU	4008321685421	79	DIADEM 2x36W VA MP	4008321413406	38
Covelight Entry Cable UK	4008321685445	79	DIADEM 2x36W VB MP	4008321413390	39
Covelight L 827 DIM	4008321670182	78	DIADEM 2x58W VA MP	4008321413420	38
Covelight L 830 DIM	4008321981967	78	DIADEM 2x58W VB MP	4008321413413	39
Covelight L 840 DIM	4008321670236	78	DIADEM 4x14W VABS MP	4008321962324	38
Covelight M 827 DIM	4008321670014	78	DIADEM 4x18W VA MP	4008321962355	38
Covelight M 827 ECO	4008321669926	78	DIADEM 4x18W VW MP	4008321962348	39
Covelight M 830 DIM	4008321981974	78	DOT-it Classic	4008321930491	196
Covelight M 830 ECO	4008321669957	78	DOT-it LINEAR VARIO Platinum Silver	4008321930828	198
Covelight M 840 DIM	4008321670069	78	DOT-it VARIO Platinum Silver	4008321930705	197
Covelight M 840 ECO	4008321669988	78	Double cap FLATLITE T5	4008321917355	37
Covelight S 827 DIM	4008321669841	78	DULUX BRIK EL 9W	40503000440927	227
Covelight S 827 ECO	4008321669759	78	DULUX BRIK EL 11W	40503000440941	227
Covelight S 830 DIM	4008321981950	78	DULUX TABLE EL	40503000478357	184
Covelight S 830 ECO	4008321669780	78	ECOPACK 18W	40503000562124	61
Covelight S 840 DIM	4008321669896	78	ECOPACK 36W	40503000528359	61
Covelight S 840 ECO	4008321669810	78	ECOPACK 58W	40503000528373	61
CROSSER Large	4008321957542	205	ECOPACK-FH 14W	40503000513249	57
CROSSER Medium	4008321957511	205	ECOPACK-FH 21W	40503000513263	57
CROSSER Micro	4008321957450	204	ECOPACK-FH 28W	40503000513287	57
CROSSER Multifunction	4008321957573	202	ECOPACK-FH 35W	40503000513300	57
CROSSER Small	4008321957481	204	ECOPACK-FH DIM 14W	40503000659213	54
CROSSER Spotlight	4008321957634	203	ECOPACK-FH DIM 21W	40503000659237	54
CROSSER Tube	4008321957603	202	ECOPACK-FH DIM 28W	40503000659251	54
Decorative accessory narrow BK	4008321756336	23	ECOPACK-FH DIM 35W	40503000659275	54
Decorative accessory narrow WT	4008321756350	23	ECOPACK-FQ 24W	40503000797762	56
Decorative accessory wide BK	4008321756329	23	ECOPACK-FQ 39W	40503000859187	56
Decorative accessory wide WT	4008321756343	23	ECOPACK-FQ 54W	40503000859200	56
DEDRA T5 DPB 2x28W DALI	4008321666147	110	ECOPACK-FQ 80W	40503000859385	56
DEDRA T5 DPB 2x28W HF	4008321666154	111	ECOPACK-T5 14/24W	4008321257413	55
DEDRA T5 DPB-C KIT 3x14W/840	4008321366696	112	ECOPACK-T5 21/39W	4008321257437	55
DEDRA T5 DPB-C KIT 3x14W/840 WIELAND	4008321380890	112	ECOPACK-T5 28/54W	4008321257451	55
DEDRA T5 DPB-C KIT 4x14W/840	4008321366726	112	ECOPACK-T5 35/49/80W	4008321259479	55
DEDRA T5 DPB KIT 3x14W/830	4008321366689	111	ECOPACK-T5 DALI 14/24W	4008321259578	52
DEDRA T5 DPB KIT 3x14W/840	4008321366672	111	ECOPACK-T5 DALI 21/39W	4008321259592	52
DEDRA T5 DPB KIT 3x14W/840 DALI	4008321380852	110	ECOPACK-T5 DALI 28/54W	4008321259615	52
DEDRA T5 DPB KIT 4x14W/830	4008321366719	111	ECOPACK-T5 DALI 35/49/80W	4008321259639	52
DEDRA T5 DPB KIT 4x14 W/830 DALI	4008321533555	110	ECOPACK-T5 DIM 14/24W	4008321259493	53
DEDRA T5 DPB KIT 4x14W/840	4008321366702	111	ECOPACK-T5 DIM 21/39W	4008321259516	53
DEDRA T5 DPB KIT 4x14W/840 DALI	4008321380883	110	ECOPACK-T5 DIM 28/54W	4008321259530	53
DEDRA T5 VABS KIT 4x14W/840	4008321380937	113	ECOPACK-T5 DIM 35/49/80W	4008321259554	53
DEDRA T8 DPTB KIT 4x18W/830 HF	4008321526502	114	ECOPACK T5 Louver 14/24W	4008321079886	58

Product reference	Product number	Page	Product reference	Product number	Page
ECOPACK T5 Louver 21/39W	4008321079909	58	FLASH T8 cover 1530mm	4050300482422	156
ECOPACK T5 Louver 28/54W	4008321080424	58	FLASH T8 ECO protection grid	4050300117690	158
ECOPACK T5 Louver 35/49/80W	4008321080448	58	FLASH T8 ECO reflector 1x/2x58W	4050300482200	157
ELLYPTICA I BK 70W E27 HCl	4008321983077	250	FLASH T8 ECO reflector end caps	4050300482347	158
ELLYPTICA I BK 70W E27 NAV2	4008321983107	250	FLASH T8 ECO reflector rail clips	4050300482323	158
ELLYPTICA I BK 70W E27 NAV	4008321983091	250	FLASH T8 PRESTIGE pack 1530 mm 1x58W	4050300482194	159
ELLYPTICA I BK 100W E40 NAV	4008321983121	250	FLASH T8 PRESTIGE pack 1530 mm 2x58W	4050300482187	159
ELLYPTICA I BK 100W E40 NAV	4008321983114	250	FLASH T8 PRESTIGE pack end caps 1x58W	4050300482224	160
ELLYPTICA I BK 150W E27 HCl	4008321983084	250	FLASH T8 PRESTIGE pack end caps 2x58W	4050300482361	160
ELLYPTICA I BK 150W E40 NAV2	4008321983145	250	FLASH T8 PRESTIGE pack rail clips	4050300482408	160
ELLYPTICA I BK 150W E40 NAV	4008321983138	250	FLASH T8 rail depart white 1530mm	4050300482248	154
ELLYPTICA II BK 70W E27 HCl	4008321983152	251	FLASH T8 rail depart white 3060mm	4050300482262	154
ELLYPTICA II BK 70W E27 NAV2	4008321983183	251	FLASH T8 rail standard white 1530mm	4050300482286	154
ELLYPTICA II BK 70W E27 NAV	4008321983176	251	FLASH T8 rail standard white 3060mm	4050300482309	154
ELLYPTICA II BK 100W E40 HCl2	4008321983206	251	FLORALUMEN-F 35W 830 (WDL) 30°	4008321962973	26
ELLYPTICA II BK 100W E40 HCl	4008321983190	251	FLORALUMEN-F 70W 830 (WDL) 30°	4008321962980	26
ELLYPTICA II BK 150W E27 HCl	4008321983169	251	FLORALUMEN-P 35W 830 (WDL) 30°	4008321962959	26
ELLYPTICA II BK 150W E40 HCl2	4008321983220	251	FLORALUMEN-P 70W 830 (WDL) 30°	4008321962966	26
ELLYPTICA II BK 150W E40 HCl	4008321983213	251	FR2 GR 70W E27 NAV	4008321983831	258
ELLYPTICA III BK 70W	4008321983237	252	GIGANTE II AZ 250W NAV HQI UNP	4008321380234	180
ELLYPTICA III BK 150W	4008321983244	252	GIGANTE II AZ 250W NSI+S UNP	4008321380258	180
EUROPLEX with opal diffuser (Siteco)	4039806604651	40	GIGANTE II AZ 250W NSI UNP	4008321380241	180
EUROPLEX with opal diffuser (Siteco)	4039806604699	40	GIGANTE II AZ 400W NAV HQI UNP	4008321380265	180
EUROPLEX with opal diffuser (Siteco)	4039806604729	40	GIGANTE II AZ 400W NSI UNP	4008321380272	180
EUROPLEX with opal diffuser (Siteco)	4039806604767	40	GIGANTE II glass cover	4008321380302	181
EUROPLEX with prismatic diffuser (Siteco)	4039806604910	40	GIGANTE II protection grid	4008321543189	181
EUROPLEX with prismatic diffuser (Siteco)	4039806604972	40	GIGANTE II wide reflector	4008321380326	181
EUROPLEX with prismatic diffuser (Siteco)	4039806616128	40	Glass SATURNO II ASM 400W/1000W	4008321447937	278
EUROPLEX with prismatic diffuser (Siteco)	4039806616135	40	Glass SATURNO II SYM 1000/2000W	4008321447883	278
F-40 LED BK VS1	4008321983725	241	Grid SATURNO II ASM 400W/1000W	4008321447913	278
F-40 LED CD VS1	4008321983732	241	Ground mounting kit for TEMPLA LED	4008321983824	240
F-43 BK TUBE FOR F-40	4008321983749	241	HALODIUM II ASM BT 400 W D	4008321940131	275
F-43 CD TUBE FOR F-40	4008321983756	241	HALODIUM II ASM T 250 W D	4008321940117	275
FLASH bracket for ceiling mounting	4050300482446	150	HALODIUM II ASM T 250 W NAV	4008321940193	275
FLASH bracket for ceiling mounting	4050300482446	156	HALODIUM II ASM T 250 W NSI	4008321940230	275
FLASH bracket for pendant mounting	4050300482460	150	HALODIUM II ASM T 400 W NAV	4008321940216	275
FLASH bracket for pendant mounting	4050300482460	156	HALODIUM II ASM T 400 W NSI	4008321940254	275
FLASH rail end cap	4050300482385	156	HALODIUM II ASM TS 70 W NAV	4008321940155	275
FLASH T5 board 1480mm white 1x49W	4008321638915	149	HALODIUM II ASM TS 70 W NDL	4008321940070	275
FLASH T5 board 1480mm white 2x49W	4008321639035	149	HALODIUM II ASM TS 150 W NAV	4008321940179	275
FLASH T5 board 2960mm white 2x1x49W	4008321653574	149	HALODIUM II ASM TS 150 W NDL	4008321940094	275
FLASH T5 cover 1480mm	4008321641953	150	HALODIUM II AZ 70W ASM	4008321582898	275
FLASH T5 ECO protection grid	4008321641984	152	HALODIUM II AZ 70W SYM	4008321582881	274
FLASH T5 ECO reflector 1480mm white	4008321641977	151	HALODIUM II AZ 150W ASM	4008321582911	275
FLASH T5 ECO reflector end caps	4008321642011	152	HALODIUM II AZ 150W SYM	4008321582904	274
FLASH T5 ECO reflector rail clips	4008321642035	152	HALODIUM II AZ 250W ASM	4008321583420	275
FLASH T5 PRESTIGE pack 1480mm white	4008321641960	153	HALODIUM II AZ 250W SYM	4008321583413	274
FLASH T5 PRESTIGE pack end caps	4008321641991	153	HALODIUM II AZ 400W ASM	4008321583444	275
FLASH T5 PRESTIGE pack rail clips	4008321642059	153	HALODIUM II AZ 400W SYM	4008321583437	274
FLASH T5 rail depart white 1480mm	4008321638847	148	HALODIUM II SYM BT 400 W D	4008321940124	274
FLASH T5 rail depart white 4440mm	4008321638892	148	HALODIUM II SYM T 250 W D	4008321940100	274
FLASH T5 rail standard white 1480mm	4008321638878	148	HALODIUM II SYM T 250 W NAV	4008321940186	274
FLASH T5 rail standard white 2960mm	4008321638885	148	HALODIUM II SYM T 250 W NSI	4008321940223	274
FLASH T5 rail standard white 4440mm	4008321638908	148	HALODIUM II SYM T 400 W NAV	4008321940209	274
FLASH T8 board 1530mm white 1x58W	4050300527628	155	HALODIUM II SYM T 400 W NSI	4008321940247	274
FLASH T8 board 1530mm white 2x58W	4050300527642	155	HALODIUM II SYM TS 70 W NAV	4008321940148	274
FLASH T8 board 3060mm white 2x1x58W	4050300527666	155	HALODIUM II SYM TS 70 W NDL	4008321940063	274

Product reference	Product number	Page	Product reference	Product number	Page
HALODIUM II SYM TS 150 W NAV	4008321940162	274	KIT LED PRO R WT PAR16 35 6X1	4008321982063	138
HALODIUM II SYM TS 150 W NDL	4008321940087	274	KIT LED PRO R WT PAR16 50 6X1	4008321982148	138
HALONESTRA 2x20W	4050300486338	100	KIT LED PRO S BR NI PAR16 20 6X1	4008321963291	138
HALONESTRA 3x20W	4050300486352	100	KIT LED PRO S BR NI PAR16 35 6X1	4008321982056	138
HALONESTRA 5x10W	4050300486376	100	KIT LED PRO S WT PAR16 35 6X1	4008321982070	138
Holder 662 S14s	4050300012742	75	Lamella grid HALODIUM II 70W	4050300153605	277
Holder 670 S14d	4050300018638	75	Lamella grid HALODIUM II 150W	4050300783727	277
Holder 675 S14d	4050300012766	75	Lamella grid HALODIUM II 250W/400W	4050300104522	277
IGLOO II 2x24W (DULUX)	4050300774626	174	LED Cone	4008321624185	94
IGLOO II 4x24W (DULUX)	4050300774619	174	LED Disk	4008321624154	95
JADE KIT ECO II GLASS COVER - IP44	4008321662910	144	LEDs DECO FLEX Add-on	4008321524409	80
JADE KIT ECO II WT 2x18W	4008321663559	144	LEDs DECO FLEX Extension Kit	4008321972064	80
JADE KIT ECO II WT 2x26W	4008321663566	144	LEDs DECO FLEX Set	4008321524348	80
KIT DOWNLIGHT HALOSPOT 111 ES silver 35W, 6°	4008321330758	125	LEDstixx	4008321951236	194
KIT DOWNLIGHT HALOSPOT 111 ES silver 35W, 24°	4008321336064	125	LED TRESOL 1x4.5W	4008321587220	137
KIT DOWNLIGHT HALOSPOT 111 ES silver 50W, 6°	4008321336088	125	LED TRESOL 2x4.5W	4008321587244	137
KIT DOWNLIGHT HALOSPOT 111 ES silver 50W, 24°	4008321336101	125	LED TRESOL 2x4.5W WT	4008321990129	137
KIT DOWNLIGHT HALOSPOT 111 ES silver 50W, 45°	4008321336125	125	LED TRESOL 4.5W WT	4008321989369	137
KIT DOWNLIGHT HALOSPOT 111 ES silver 65W, 6°	4008321336149	125	LED TRESOL Add-on	4008321980014	137
KIT DOWNLIGHT HALOSPOT 111 ES silver 65W, 24°	4008321336163	125	LED TRESOL Add-on WT	4008321989345	137
KIT DOWNLIGHT HALOSPOT 111 ES silver 65W, 45°	4008321336187	125	LEDVANCE DOWNLIGHT L 830 L60 WT	4008321968753	133
KIT DOWNLIGHT HALOSPOT 111 ES white 35W, 6°	4008321330734	125	LEDVANCE DOWNLIGHT L 830 L100 WT	4008321968760	133
KIT DOWNLIGHT HALOSPOT 111 ES white 35W, 24°	4008321335920	125	LEDVANCE DOWNLIGHT L 840 L60 WT	4008321968777	133
KIT DOWNLIGHT HALOSPOT 111 ES white 50W, 6°	4008321335944	125	LEDVANCE DOWNLIGHT L 840 L100 WT	4008321968784	133
KIT DOWNLIGHT HALOSPOT 111 ES white 50W, 24°	4008321335968	125	LEDVANCE DOWNLIGHT L RING AL	4008321968791	133
KIT DOWNLIGHT HALOSPOT 111 ES white 50W, 45°	4008321335982	125	LEDVANCE DOWNLIGHT L WT 830 L60 DIM	4008321981554	133
KIT DOWNLIGHT HALOSPOT 111 ES white 65W, 6°	4008321336002	125	LEDVANCE DOWNLIGHT L WT 830 L100 DIM	4008321981561	133
KIT DOWNLIGHT HALOSPOT 111 ES white 65W, 24°	4008321336026	125	LEDVANCE DOWNLIGHT L WT 840 L60 DALI	4008321981615	132
KIT DOWNLIGHT HALOSPOT 111 ES white 65W, 45°	4008321336040	125	LEDVANCE DOWNLIGHT L WT 840 L60 DIM	4008321981578	133
KIT DOWNLIGHT HQI-TS EXC 70W MINI ROUND D	4008321391940	143	LEDVANCE DOWNLIGHT L WT 840 L100 DALI	4008321981622	132
KIT DOWNLIGHT HQI-TS EXC 70W MINI ROUND NDL	4008321391926	143	LEDVANCE DOWNLIGHT L WT 840 L100 DIM	4008321981585	133
KIT DOWNLIGHT HQI-TS EXC 70W MINI ROUND WDL	4008321391902	143	LEDVANCE DOWNLIGHT L WT 930 L60 DALI	4008321981592	132
KIT DOWNLIGHT HQI-TS EXC 70W ROUND D	4008321391643	142	LEDVANCE DOWNLIGHT L WT 930 L100 DALI	4008321981608	132
KIT DOWNLIGHT HQI-TS EXC 70W ROUND NDL	4008321391629	142	LEDVANCE DOWNLIGHT M 830 L36 WT	4008321968678	134
KIT DOWNLIGHT HQI-TS EXC 70W ROUND WDL	4008321391605	142	LEDVANCE DOWNLIGHT M 830 L36 WT DIM	4008321968715	134
KIT DOWNLIGHT HQI-TS EXC 70W SQUARE D	4008321391803	142	LEDVANCE DOWNLIGHT M 840 L36 WT	4008321968692	134
KIT DOWNLIGHT HQI-TS EXC 70W SQUARE NDL	4008321391780	142	LEDVANCE DOWNLIGHT M 840 L36 WT DIM	4008321968739	134
KIT DOWNLIGHT HQI-TS EXC 70W SQUARE WDL	4008321391766	142	LEDVANCE DOWNLIGHT M RING AL	4008321968746	134
KIT DOWNLIGHT HQI-TS EXC 150W ROUND D	4008321391728	142	LEDVANCE DOWNLIGHT S 830 L80 AL	4008321968623	84
KIT DOWNLIGHT HQI-TS EXC 150W ROUND NDL	4008321391704	142	LEDVANCE DOWNLIGHT S 830 L80 WT	4008321968630	84
KIT DOWNLIGHT HQI-TS EXC 150W ROUND WDL	4008321391667	142	LEDVANCE DOWNLIGHT S 840 L80 AL	4008321968647	84
KIT DOWNLIGHT HQI-TS EXC 150W SQUARE D	4008321391889	142	LEDVANCE DOWNLIGHT S 840 L80 WT	4008321968654	84
KIT DOWNLIGHT HQI-TS EXC 150W SQUARE NDL	4008321391865	142	LEDVANCE DOWNLIGHT S AL CANOPY 4X1 OSRAM	4008321691385	84
KIT DOWNLIGHT HQI-TS EXC 150W SQUARE WDL	4008321391841	142	LEDVANCE DOWNLIGHT S WT CANOPY 4X1 OSRAM	4008321691345	84
KIT HALO CLASSIC 1x50W White	4008321390806	141	LEDVANCE DOWNLIGHT XL 830 L60 WT	4008321968821	131
KIT HALO PRO HYDRO R 1x35W Brushed Nickel	4008321399069	140	LEDVANCE DOWNLIGHT XL 830 L100 WT	4008321968838	131
KIT HALO PRO HYDRO R 1x35W White	4008321399045	140	LEDVANCE DOWNLIGHT XL 840 L60 WT	4008321968845	131
KIT HALO PRO HYDRO S 1x35W Brushed Nickel	4008321399106	140	LEDVANCE DOWNLIGHT XL 840 L60 WT DALI	4008321968883	130
KIT HALO PRO HYDRO S 1x35W White	4008321399083	140	LEDVANCE DOWNLIGHT XL 840 L100 WT	4008321968852	131
KIT HALO PRO R 1x35W Brushed Nickel	4008321398642	140	LEDVANCE DOWNLIGHT XL 840 L100 WT DALI	4008321968890	130
KIT HALO PRO R 1x35W White	4008321398628	140	LEDVANCE DOWNLIGHT XL 930 L60 WT DALI	4008321968869	130
KIT HALO PRO S 1x35W Brushed Nickel	4008321399007	140	LEDVANCE DOWNLIGHT XL 930 L100 WT DALI	4008321968876	130
KIT HALO PRO S 1x35W White	4008321398987	140	LEDVANCE DOWNLIGHT XL RING AL	4008321968906	131
KIT LED CLASSIC R WT PAR16 35	4008321664990	139	LINEARlight-DRAGON LD-2CONN-40	4008321182869	87
KIT LED PRO R BR NI PAR16 20 6X1	4008321963284	138	LINEARlight-DRAGON LD-2CONN-100	4008321182883	87
KIT LED PRO R BR NI PAR16 35 6X1	4008321982049	138	LINEARlight-DRAGON LD-2PIN	4008321182845	87
KIT LED PRO R BR NI PAR16 50 6X1	4008321982087	138	LINEARlight-DRAGON LD06B-W4F-830-L30	4008321394491	87

Product reference	Product number	Page	Product reference	Product number	Page
LINEARlight-DRAGON LD06B-W4F-840-L30	4008321394613	87	LUMILUX COMBI EL-N 10W WT	4050300003443	67
LINEARlight-DRAGON LD06B-W4F-854-L30	4008321395290	87	LUMILUX COMBI EL-N 18W WS UNP	4050300997650	67
Liner Shield AC XB-18 CW 40x10deg	4006584668496	243	LUMILUX COMBI EL-N 18W WT	4050300003474	67
Liner Shield AC XB-18 WW 40x10deg	4006584668533	243	LUMILUX COMBI EL-N 30W WS UNP	4050300003504	67
Liner Shield AC XB-27 CW 40x10deg	4006584668519	243	LUMILUX COMBI EL-N 30W WT	4050300002163	67
Liner Shield AC XB-27 RGB 40x10deg	4006584668335	243	LUMILUX COMBI EL-N 36W WS UNP	4050300148663	67
Liner Shield AC XB-27 WW 40x10deg	4006584668557	243	LUMILUX COMBI EL-N 36W WS UNP	4050300148748	68
LINESTRA SET 35W	4050300003832	75	LUMILUX COMBI EL-N 36W WT	4050300003511	67
LINESTRA SET 60W	4050300003849	75	LUMILUX COMBI EL-N 58W WS UNP	4050300993959	68
LJ100 T5 1x28/54W ECG-MW	4039806540584	62	LUMILUX COMBI EL-N 58W WS UNP	4050300993973	67
LJ100 T5 1x35/49/80W ECG-MW	4039806539809	62	LUMILUX COMBI EL-N 58W WT	4050300986517	67
LJ100 T5 2x28/54W ECG-MW	4039806912169	62	LUMILUX COMBI EL-N/P 10W WT	4050300346540	69
LJ100 T5 2x35/49/80W ECG-MW	4039806887924	62	LUMILUX COMBI EL-N/P 18W WT	4050300346625	69
LJ100 T5 suspension bracket	4039806616159	62	LUMILUX COMBI EL-N/P 30W WT	4050300346663	69
LK 40 LED Cold white	4050300824062	210	LUMILUX COMBI EL-N/P 36W WT	4050300346861	69
LK 40 LED Color Changing	4008321088413	212	LUMILUX COMBI EL-N/P 58W WT	4050300346946	69
LK 40 LED Warm white	4008321060907	210	LUMILUX DECO EL/D 8W	4050300497822	65
LK 80 LED BLUE	4008321214126	211	LUMILUX DECO EL/D 13W	4050300497846	65
LK 80 LED Cold white	4050300824086	210	LUMILUX DECO EL/P 8W	4050300356846	65
LK 80 LED Color Changing	4008321088437	212	LUMILUX DECO EL/P 13W	4050300356860	65
LK 80 LED PINK	4008321214041	211	LUMILUX DUO EL-F/P 2x18W	4050300774206	34
LK 80 LED Warm white	4008321060921	210	LUMILUX DUO EL-F/P 2x36W	4050300774237	34
LK 80 LED Yellow	4008321208422	211	LUMILUX DUO EL-F/P 2x58W	4050300774268	34
LK 120 LED Cold white	4008321208385	210	LUMILUX DUO EL-F/R 2x18W	4050300774299	35
LK 120 LED Warm white	4008321070937	210	LUMILUX DUO EL-F/R 2x36W	4050300774329	35
LK 320 LED Cold white	4008321208408	210	LUMILUX DUO EL-F/R 2x58W	4050300774350	35
LK 320 LED Warm white	4008321208521	210	LUMILUX FLATLITE T5-F/P 24W	4008321908537	36
Louvre M rapid mount. bracket, 21-36mm	4039806133960	105	LUMILUX FLATLITE T5-F/P 39W	4008321908544	36
Louvre M rapid mount. bracket, 21-36mm	4039806133960	107	LUMILUX FLATLITE T5-F/P 49W	4008321908568	36
Louvre M rapid mount. bracket, 36-50mm	4039806137609	105	LUMILUX FLATLITE T5-F/P 54W	4008321908551	36
Louvre M rapid mount. bracket, 36-50mm	4039806137609	107	LUMILUX VARIO EL-F 18W	4008321908476	74
LUMILUX BRIK EL 8W	4050300440880	226	LUMILUX VARIO EL-F 30W	4008321908483	74
LUMILUX BRIK EL 13W	4050300440903	226	LUMILUX VARIO EL-F 36W	4008321908490	74
LUMILUX COMBI EL 8W WS	4050300824765	66	LUMILUX VARIO EL-N 18W	4008321908445	73
LUMILUX COMBI EL 13W WS	4050300824819	66	LUMILUX VARIO EL-N 30W	4008321908452	73
LUMILUX COMBI EL-F 10W WT	4050300003542	68	LUMILUX VARIO EL-N 36W	4008321908469	73
LUMILUX COMBI EL-F 18W WS UNP	4050300148724	68	LUMILUX VARIO-FM 8W	4050300636351	96
LUMILUX COMBI EL-F 18W WT	4050300003573	68	LUMILUX VARIO-FM 11W	4050300636382	96
LUMILUX COMBI EL-F 30W WS UNP	4050300484679	68	LUMILUX VARIO-FM 13W	4050300636405	96
LUMILUX COMBI EL-F 30W WT	4050300003597	68	LUMINESTRA eco LED 7W 3000K	4006584922963	89
LUMILUX COMBI EL-F 36W WT	4050300003634	68	LUMINESTRA eco LED 7W 4000K	4006584922987	89
LUMILUX COMBI EL-F 58W WT	4050300005195	68	LUMINESTRA EL 8W 827	4050300008738	97
LUMILUX COMBI EL-F/B 18W	4008321917379	72	LUMINESTRA EL 8W 840	4008321962690	97
LUMILUX COMBI EL-F/B 30W	4008321917393	72	LUMINESTRA EL 8W UNP	4008321962751	97
LUMILUX COMBI EL-F/B 36W	4008321917416	72	LUMINESTRA EL 13W 827	4050300008745	97
LUMILUX COMBI EL-F/B 58W	4008321917430	72	LUMINESTRA EL 13W 840	4008321962706	97
LUMILUX COMBI EL-F/D 10W	4008321917454	71	LUMINESTRA EL 13W UNP	4008321962768	97
LUMILUX COMBI EL-F/D 18W	4008321917478	71	LUMINESTRA LED 8W 3000K	4008321524461	88
LUMILUX COMBI EL-F/D 30W	4008321917492	71	LUMINESTRA LED 8W 4000K	4008321524485	88
LUMILUX COMBI EL-F/D 36W	4008321917515	71	LUMINESTRA LED 13W 3000K	4008321710581	88
LUMILUX COMBI EL-F/D 58W	4008321917539	71	LUMINESTRA LED 13W 4000K	4008321710604	88
LUMILUX COMBI EL-F/P 10W WT	4050300346502	70	LUNETTA LED	4050300952505	190
LUMILUX COMBI EL-F/P 18W WT	4050300346588	70	LUNETTA LED Colormix	4008321053855	190
LUMILUX COMBI EL-F/P 30W WT	4050300346700	70	MINI5 ECO 8W WT UNP	4008321300911	64
LUMILUX COMBI EL-F/P 36W WT	4050300346908	70	MINI5 ECO 13W WT UNP	4008321300935	64
LUMILUX COMBI EL-F/P 58W WT	4050300346984	70	MINI5 ECO 14W WT UNP	4008321300959	64
			MINI5 ECO 21W WT UNP	4008321300973	64

Product reference	Product number	Page	Product reference	Product number	Page
MINI5 ECO 28W WT UNP	4008321300997	64	Mounting bracket HALODIUM II 250W/400W	4008321380395	277
MINI5 ECO 35W WT UNP	4008321301154	64	NEPTUNE POLY 1x36W HF	4008321910752	173
MINI5 ECO 827 8W WT	4008321931399	64	NEPTUNE POLY 1x58W HF	4008321910790	173
MINI5 ECO 827 13W WT	4008321931412	64	NEPTUNE POLY 2x36W HF	4008321910776	173
MINI5 ECO 827 14W WT	4008321931436	64	NEPTUNE POLY 2x58W HF	4008321910813	173
MINI5 ECO 827 21W WT	4008321931450	64	NEPTUNE T5 POLY 1x28W	4008321659903	172
MINI5 ECO 827 28W WT	4008321931474	64	NEPTUNE T5 POLY 1x49W	4008321660008	172
MINI5 ECO 827 35W WT	4008321931498	64	NEPTUNE T5 POLY 2x28W	4008321659989	172
MINI5 ECO 840 8W WT	4008321931511	64	NEPTUNE T5 POLY 2x49W	4008321660022	172
MINI5 ECO 840 13W WT	4008321931535	64	NIGHTLUX silver	4008321985743	191
MINI5 ECO 840 14W WT	4008321931559	64	NIGHTLUX white	4008321376596	191
MINI5 ECO 840 21W WT	4008321931573	64	NOXLITE LED SPOT 2x8W	4008321981981	228
MINI5 ECO 840 28W WT	4008321931597	64	NOXLITE LED SPOT 2x8W Sensor	4008321981998	229
MINI5 ECO 840 35W WT	4008321931610	64	NOXLITE LED SPOT 6W	4008321960931	228
MINISPOT Cube BK	4050300001869	126	NOXLITE LED SPOT 6W Sensor	4008321960948	229
MINISPOT Cube WT	4050300001852	126	NOXLITE LED SPOT 8W	4008321960955	228
MINISPOT Rhombus BK	4050300001883	127	NOXLITE LED SPOT 8W Sensor	4008321960962	229
MINISPOT Rhombus WT	4050300001876	127	NOXLITE LED SPOT 8W Sensor	4008321960985	229
ML-150 CD 70W E27 NAV2 VS1	4008321983671	268	NOXLITE LED WALL Double Sensor	4008321960986	230
ML-150 CD 70W E27 NAV VS1	4008321983664	268	NOXLITE LED WALL Double Sensor	4008321998422	230
ML-150 CD 100W E40 NAV2 VS1	4008321983695	268	NOXLITE LED WALL Round Sensor	4008321980519	231
ML-150 CD 100W E40 NAV VS1	4008321983688	268	NOXLITE LED WALL Round Sensor	4008321998446	231
ML-150 CD 150W E40 NAV2 VS1	4008321983718	268	NOXLITE LED WALL Single Sensor	4008321960979	230
ML-150 CD 150W E40 NAV VS1	4008321983701	268	NOXLITE LED WALL Single Sensor	4008321998408	230
ML-150 FG 70W E27 NAV2 VS1	4008321983619	268	ORBIS EU	4008321445476	189
ML-150 FG 70W E27 NAV VS1	4008321983602	268	ORTASA BK 70W E27 CFL	4008321605498	238
ML-150 FG 100W E40 NAV2 VS1	4008321983633	268	ORTASA CD 70W E27 CFL	4008321605504	238
ML-150 FG 100W E40 NAV VS1	4008321983626	268	OSRAM DULUX CARRÉ 2x11W	4050300314921	43
ML-150 FG 150W E40 NAV2 VS1	4008321983657	268	OSRAM DULUX CARRÉ 9W	4050300012117	43
ML-150 FG 150W E40 NAV VS1	4008321983640	268	OSRAM DULUX CARRÉ 9W SENSOR	4050300424644	43
ML-250 FG 70W E27 NAV2	4008321983534	267	OSRAM DULUX CARRÉ 11W	4050300012100	43
ML-250 FG 70W E27 NAV	4008321983527	267	OSRAM DULUX RONDEL 2x9W	4050300328737	42
ML-250 FG 100W E40 HCI2 NAV2	4008321983558	267	OSRAM DULUX RONDEL 9W	4050300361543	42
ML-250 FG 100W E40 NAV HCI	4008321983541	267	OSRAM DULUX RONDEL 9W SENSOR	4050300399133	42
ML-250 FG 150W E40 HCI2 NAV2	4008321983572	267	OSRAM ECOPACK DIM 18W	4050300561981	59
ML-250 FG 150W E40 NAV HCI	4008321983565	267	OSRAM ECOPACK DIM 36W	4050300562025	59
ML-250 FG 250W E40 HCI2 NAV2	4008321983596	267	OSRAM ECOPACK DIM 58W	4050300562070	59
ML-250 FG 250W E40 NAV HCI	4008321983589	267	OT 6/200-240/24 CE	4008321113306	235
Monochrome Tube CW 500mm	4006584670840	244	OT 20/220-240/24	4050300618111	235
Monochrome Tube CW 995mm	4006584670864	244	PAIPS PEX H480 BK 24W E27 CFLW	4008321605344	260
Monochrome Tube CW 1490mm	4006584670888	244	PAIPS PEX H480 BK 70W E27 NAV	4008321985194	260
Monochrome Tube WW 500mm	4006584673834	244	PAIPS PEX H480 BK E27 HCI	4008321985255	260
Monochrome Tube WW 995mm	4006584673858	244	PAIPS PEX H480 FG 70W E27 NAV	4008321985224	260
Monochrome Tube WW 1490mm	4006584673872	244	PAIPS PEX H480 FG E27 HCI	4008321985286	260
MONSUN 1x36W PC	4039806606532	171	PAIPS PEX H480 GR 24W E27 CFLW	4008321605443	260
MONSUN 1x36W PMMA	4039806606266	171	PAIPS PEX H700 BK 24W E27 CFLW	4008321605351	260
MONSUN 1x49W PMMA	4039806612045	170	PAIPS PEX H700 BK 70W E27 NAV	4008321985200	260
MONSUN 1x54W PMMA	4039806610942	170	PAIPS PEX H700 BK E27 HCI	4008321985262	260
MONSUN 1x58W PC	4039806606549	171	PAIPS PEX H700 FG 70W E27 NAV	4008321985231	260
MONSUN 1x58W PMMA	4039806606273	171	PAIPS PEX H700 FG E27 HCI	4008321985293	260
MONSUN 2x28W PMMA	4039806612007	170	PAIPS PEX H700 GR 24W E27 CFLW	4008321605450	260
MONSUN 2x36W PC	4039806606563	171	PAIPS PEX H1000 BK 24W E27 CFLW	4008321605405	260
MONSUN 2x36W PMMA	4039806606280	171	PAIPS PEX H1000 BK 70W E27 NAV	4008321985217	260
MONSUN 2x49W PMMA	4039806613462	170	PAIPS PEX H1000 BK E27 HCI	4008321985279	260
MONSUN 2x58W PC	4039806606570	171	PAIPS PEX H1000 FG 70W E27 NAV	4008321985248	260
MONSUN 2x58W PMMA	4039806606297	171	PAIPS PEX H1000 FG E27 HCI	4008321985309	260
Mounting bracket HALODIUM II 70W/150W	4008321380388	277	PAIPS PEX H1000 GR 24W E27 CFLW	4008321605467	260

Product reference	Product number	Page	Product reference	Product number	Page
PAIPS PIA H480 BK 24W E27 CFLW	4008321605313	261	POLYBAR Entry Cable UK	4008321626516	86
PAIPS PIA H480 BK 70W E27 NAV	4008321985132	261	POLYBAR L 830 L80	4008321962386	85
PAIPS PIA H480 BK E27 HCI	4008321985316	261	POLYBAR L 840 L80	4008321962416	85
PAIPS PIA H480 FG 24W E27 CFLW	4008321605412	261	POLYBAR L 850 L80	4008321962447	85
PAIPS PIA H480 FG 70W E27 NAV	4008321985163	261	POLYBAR M 830 L80	4008321963345	85
PAIPS PIA H480 FG E27 HCI	4008321985347	261	POLYBAR M 840 L80	4008321962409	85
PAIPS PIA H700 BK 24W E27 CFLW	4008321605320	261	POLYBAR M 850 L80	4008321962430	85
PAIPS PIA H700 BK 70W E27 NAV	4008321985149	261	POLYBAR S 830 L80	4008321963338	85
PAIPS PIA H700 BK E27 HCI	4008321985323	261	POLYBAR S 840 L80	4008321962393	85
PAIPS PIA H700 FG 24W E27 CFLW	4008321605429	261	POLYBAR S 850 L80	4008321962423	85
PAIPS PIA H700 FG 70W E27 NAV	4008321985170	261	POLYBAR Swivel Base L	4008321626462	86
PAIPS PIA H700 FG E27 HCI	4008321985354	261	POLYBAR Swivel Base M	4008321626431	86
PAIPS PIA H1000 BK 24W E27 CFLW	4008321605337	261	POLYBAR Swivel Base S	4008321626400	86
PAIPS PIA H1000 BK 70W E27 NAV	4008321985156	261	Post-Top bracket double	4008321983268	263
PAIPS PIA H1000 BK E27 HCI	4008321985330	261	Post-Top bracket single	4008321983251	263
PAIPS PIA H1000 FG 24W E27 CFLW	4008321605436	261	Post-Top bracket wall	4008321983275	263
PAIPS PIA H1000 FG 70W E27 NAV	4008321985187	261	POWERSPOT M 840 L24 AL	4008321647849	123
PAIPS PIA H1000 FG E27 HCI	4008321985361	261	POWERSPOT M 840 L24 BK	4008321678737	123
PASS II 153 1x58W HF	4050300910451	167	POWERSPOT M 840 L24 WT	4008321647740	123
PASS II 153 2x58W HF	4050300910437	167	POWERSPOT M 840 L40 AL	4008321647863	123
PASS II 306 2x1x58W HF	4050300910475	167	POWERSPOT M 840 L40 BK	4008321678751	123
PASS II 306 2x2x58W HF	4050300909455	167	POWERSPOT M 840 L40 WT	4008321647788	123
PASS II bracket for additional suspension	4050300909264	167	POWERSPOT M 930 L24 AL	4008321647801	123
PASS II connector for cross mounting	4008321302816	167	POWERSPOT M 930 L24 BK	4008321678690	123
PASS II end caps	4008321188434	167	POWERSPOT M 930 L24 WT	4008321647672	123
PASS II zinc-plated end sheet 153	4050300772844	167	POWERSPOT M 930 L40 AL	4008321647825	123
PASS T5 2x2x49W	4008321629838	166	POWERSPOT M 930 L40 BK	4008321678713	123
PASS T5 2x49W	4008321629388	166	POWERSPOT M 930 L40 WT	4008321647726	123
PASS T5 asymmetrical reflector 1480mm	4008321628725	166	POWERSPOT XL 840 L24 AL	4008321648006	122
PASS T5 depart (starting part)	4008321629906	166	POWERSPOT XL 840 L24 BK	4008321678836	122
PASS T5 suspension brackets	4008321632203	166	POWERSPOT XL 840 L24 WT	4008321647924	122
PASS T5 symmetrical reflector 1480mm	4008321628701	166	POWERSPOT XL 840 L40 AL	4008321648020	122
Pendant kit	4050300792200	33, 60	POWERSPOT XL 840 L40 BK	4008321678850	122
PENDANT L 840 L44 BK	4008321757234	22	POWERSPOT XL 840 L40 WT	4008321981929	122
PENDANT L 840 L44 GR	4008321757265	22	POWERSPOT XL 930 L24 AL	4008321647962	122
PENDANT L 930 L44 BK	4008321757180	22	POWERSPOT XL 930 L24 BK	4008321678799	122
PENDANT L 930 L44 GR	4008321757203	22	POWERSPOT XL 930 L24 WT	4008321647900	122
PENDANT M 840 L44 BK	4008321757326	22	POWERSPOT XL 930 L40 AL	4008321647986	122
PENDANT M 840 L44 GR	4008321757340	22	POWERSPOT XL 930 L40 BK	4008321678812	122
PENDANT M 930 L44 BK	4008321757289	22	POWERSPOT XL 930 L40 WT	4008321981912	122
PENDANT M 930 L44 GR	4008321757302	22	POWERSPOT XXL 840 L24 AL	4008321648167	122
PENDANT XL 840 L44 BK	4008321757142	22	POWERSPOT XXL 840 L24 BK	4008321678911	122
PENDANT XL 840 L44 GR	4008321757166	22	POWERSPOT XXL 840 L24 WT	4008321648082	122
PENDANT XL 930 L44 BK	4008321757104	22	POWERSPOT XXL 840 L40 AL	4008321648181	122
PENDANT XL 930 L44 GR	4008321757128	22	POWERSPOT XXL 840 L40 BK	4008321678935	122
PENDANT XXL 840 L44 BK	4008321757067	22	POWERSPOT XXL 840 L40 WT	4008321981943	122
PENDANT XXL 840 L44 GR	4008321757081	22	POWERSPOT XXL 930 L24 AL	4008321648129	122
PENDANT XXL 930 L44 BK	4008321757029	22	POWERSPOT XXL 930 L24 BK	4008321678874	122
PENDANT XXL 930 L44 GR	4008321757043	22	POWERSPOT XXL 930 L24 WT	4008321648044	122
PICOLINE 8W electronic	4050300499543	98	POWERSPOT XXL 930 L40 AL	4008321648143	122
PICOLINE 13W electronic	4050300499567	98	POWERSPOT XXL 930 L40 BK	4008321678898	122
PICOLINE 21W electronic	4050300593975	98	POWERSPOT XXL 930 L40 WT	4008321981936	122
Polemount SATURNO II ASM 400W/1000W	4008321447906	278	POWERstixx Add-on	4008321962898	44
POLYBAR Connection Cable	4008321626530	86	POWERstixx Connector Set	4008321960566	44
POLYBAR Connection Cable	4008321626554	86	POWERstixx Pendant Kit	4008321960559	44
POLYBAR Connection Cable	4008321626578	86	POWERstixx Set	4008321962874	44
POLYBAR Entry Cable EU	4008321626493	86	Protective grating HALODIUM II 70W	4050300153599	277

Product reference	Product number	Page	Product reference	Product number	Page
Protective grating HALODIUM II 150W	4050300529547	277	Siteco louvre L 4X18W T8 M600 RIBB	4039806015365	108
Protective grating HALODIUM II 250W/400W	4050300104539	277	Siteco louvre L 4X18W T8 M625 HSP	4039806001207	109
Protective shield HALODIUM II ASM 70W	4008321388339	277	Siteco louvre L 4X18W T8 M625 RIBB	4039806001344	109
Protective shield HALODIUM II SYM 70W	4008321388322	277	Siteco louvre L rapid mount. bracket, 18-33mm	4039806611345	108
Protective shield HALODIUM II SYM/ASM 150W	4008321388346	277	Siteco louvre L rapid mount. bracket, 31-50mm	4039806611338	108
Protective shield HALODIUM II SYM/ASM 250W/400W	4008321388360	277	Siteco louvre M 3X14W T5 M600 ALU HSP	4050737038506	104
Prot. grid SATURNO II ASM 400W/1000W	4008321447920	278	Siteco louvre M 3X14W T5 M600 ALU MT	4050737038353	104
QOD Add-on	4008321962935	90	Siteco louvre M 3X14W T5 M600 ALU RIBB	4050737038438	105
QOD CHROME Add-on	4008321646972	90	Siteco louvre M 3X14W T5 M625 HSP	4050737038261	106
QOD CHROME Starter Set	4008321646958	90	Siteco louvre M 3X14W T5 M625 MT	4050737038117	106
QOD DOMINO long 3x4W	4008321975041	91	Siteco louvre M 3X14W T5 M625 RIBB	4050737038193	107
QOD DOMINO long 5x4W	4008321975072	91	Siteco louvre M 3X24W T5 M600 ALU HSP	4050737038537	104
QOD DOMINO short 2x4W	4008321974983	91	Siteco louvre M 3X24W T5 M600 ALU MT	4050737038377	104
QOD DOMINO short 3x4W	4008321975010	91	Siteco louvre M 3X24W T5 M600 ALU RIBB	4050737038445	105
QOD EXTENSION CABLE 1.5 m	4008321972842	90	Siteco louvre M 3X24W T5 M625 HSP	4050737038292	106
QOD EXTENSION CABLE 1.5 m	4008321972842	135	Siteco louvre M 3X24W T5 M625 MT	4050737038131	106
QOD L	4008321974952	135	Siteco louvre M 3X24W T5 M625 RIBB	4050737038209	107
QOD M	4008321974921	135	Siteco louvre M 4X14W T5 M600 ALU HSP	4050737038551	104
QOD S	4008321971975	135	Siteco louvre M 4X14W T5 M600 ALU MT	4050737038384	104
QOD Starter Set	4008321962911	90	Siteco louvre M 4X14W T5 M600 ALU RIBB	4050737038476	105
QUADROLA CFL BK	4008321605092	221	Siteco louvre M 4X14W T5 M625 HSP	4050737038315	106
QUADROLA CFL CD	4008321605139	221	Siteco louvre M 4X14W T5 M625 MT	4050737038155	106
QUADROLA NAV BK	4008321605115	221	Siteco louvre M 4X14W T5 M625 RIBB	4050737038230	107
QUADROLA NAV CD	4008321605153	221	Siteco louvre M 4X24W T5 M600 ALU HSP	4050737038575	104
REF T8 1x18W HF	4050300121741	63	Siteco louvre M 4X24W T5 M600 ALU MT	4050737038414	104
REF T8 1x36W HF	4050300121758	63	Siteco louvre M 4X24W T5 M600 ALU RIBB	4050737038490	105
REF T8 1x58W HF	4050300122120	63	Siteco louvre M 4X24W T5 M625 HSP	4050737038322	106
RFI E 2x36W HF	4050300096520	165	Siteco louvre M 4X24W T5 M625 MT	4050737038179	106
RFI E 2x49W	4008321733719	164	Siteco louvre M 4X24W T5 M625 RIBB	4050737038254	107
RFI E 2x58W HF	4050300096384	165	SLIMLITE EL 8W	4050300620145	99
RFI E end caps	4008321083456	165	SLIMLITE EL 13W	4050300620121	99
RFI E connectors	4008321083449	165	Slim Shape LED 8W	4008321977519	92
RFI E grid 1x58/2x58/3x58W	4050300820170	165	Slim Shape LED 8W Sensor	4008321975164	93
RFI E lamella grid 2x58W	4050300117690	165	Slim Shape LED 13W	4008321974501	92
SATURNO II ASM 400W	4008321414052	276	Slim Shape LED 13W Sensor	4008321975195	93
SATURNO II ASM 1000W	4008321414069	276	Small Classic 1x50W HSE	4039806077387	269
SATURNO II SYM 1000/2000W	4008321414045	276	SOFTLITE EL 24W	4050300535630	32
SCRIPTUS 1x36W HF	4050300118185	41	SOFTLITE EL 39W	4050300535654	32
SCRIPTUS 1x58W HF	4050300117638	41	SOFTLITE EL 54W	4050300535678	32
Sensors DIM MULTI	4050300554471	60	SOFTLITE EL 80W	4050300535692	32
Sensors DIM PICO	4050300554457	60	SPOTLIGHT XL 840 L40 AL	4008321649515	124
SICOMPACT A2 Midi 1x250W HIT/HST LLCG TSG DDS	4039806623690	273	SPOTLIGHT XL 840 L40 WT	4008321981905	124
SICOMPACT A2 Midi 1x250W HIT/HST LLCG TSG NDS	4039806623737	273	SPOTLIGHT XL 930 L40 AL	4008321649478	124
SICOMPACT A2 Midi 1x400W HIT/HST LLCG TSG DDS	4039806623713	273	SPOTLIGHT XL 930 L40 WT	4008321981899	124
SICOMPACT A2 Midi 1x400W HIT/HST LLCG TSG NDS	4039806623751	273	SPOTLIGHT XXL 840 L24 AL	4008321743183	124
SICOMPACT A2 Mini 1x70W wide beam	4039806623942	272	SPOTLIGHT XXL 840 L24 WT	4008321743169	124
SICOMPACT A2 Mini 1x150W wide beam	4039806623959	272	SPOTLIGHT XXL 840 L40 AL	4008321743220	124
SILENTO Lungo	4008321985668	27	SPOTLIGHT XXL 840 L40 WT	4008321743244	124
SILENTO Poco	4008321985651	27	SPOTLIGHT XXL 930 L24 AL	4008321743305	124
SIRIUS Large	4008321957429	200	SPOTLIGHT XXL 930 L24 WT	4008321743282	124
SIRIUS Medium	4008321957399	200	SPOTLIGHT XXL 930 L40 AL	4008321743367	124
SIRIUS Small	4008321957368	201	SPOTLIGHT XXL 930 L40 WT	4008321743343	124
Siteco louvre L 3X18W T8 M600 HSP	4039806417503	108	SPYLUX	4008321935021	195
Siteco louvre L 3X18W T8 M600 RIBB	4039806015266	108	STREETlight LUM 90 4000K	4008321678270	266
Siteco louvre L 3X18W T8 M625 HSP	4039806001160	109	STREETlight LUM 90 5000K	4008321648498	266
Siteco louvre L 3X18W T8 M625 RIBB	4039806001306	109	STREETlight LUM 90 5000K	4008321678256	266
Siteco louvre L 4X18W T8 M600 HSP	4039806405753	108	STREETlight LUM 180 4000K	4008321690975	266

Product reference	Product number	Page	Product reference	Product number	Page
STREETlight LUM 180 5000K	4008321690944	266	VIALTA78 100W BK E40 NAV	4008321982384	256
STREETlight LUM 180 5000K	4008321985712	266	VIALTA78 100W CD E40 NAV2	4008321982551	256
TARTUGA-L BK	4008321605177	220	VIALTA78 100W CD E40 NAV	4008321982544	256
TARTUGA-L CD	4008321605191	220	VIALTA78 150W BK E27 HCI	4008321982315	257
TARTUGA-S BK	4008321605214	220	VIALTA78 150W BK E40 NAV2	4008321982438	256
TARTUGA-S CD	4008321605252	220	VIALTA78 150W BK E40 NAV	4008321982421	256
TEMPLA LED 1WND BK	4008321983763	239	VIALTA78 150W CD E27 HCI	4008321982476	257
TEMPLA LED 1WND CD	4008321983794	239	VIALTA78 150W CD E40 NAV2	4008321982599	256
TEMPLA LED 2WND BK	4008321983770	239	VIALTA78 150W CD E40 NAV	4008321982582	256
TEMPLA LED 2WND CD	4008321983800	239	VIALUX I BK 70W E27 HCI	4008321982605	253
TEMPLA LED 4WND BK	4008321983787	240	VIALUX I BK 70W E27 NAV2	4008321982636	253
TEMPLA LED 4WND CD	4008321983817	240	VIALUX I BK 70W E27 NAV	4008321982629	253
TRESOL 10W	4008321984159	136	VIALUX I BK 100W E40 NAV2	4008321982650	253
TRESOL Bloc	4008321985484	48	VIALUX I BK 100W E40 NAV	4008321982643	253
TRESOL Bloc white	4008321990143	48	VIALUX I BK 150W E27 HCI	4008321982612	253
TRESOL Cube	4008321985507	47	VIALUX I BK 150W E40 NAV2	4008321982674	253
TRESOL Cube Trio	4008321985491	28	VIALUX I BK 150W E40 NAV	4008321982667	253
TRESOL Cube Trio Ceiling	4008321989307	46	VIALUX I CD 70W E27 HCI	4008321982681	253
TRESOL Cube White	4008321997821	47	VIALUX I CD 70W E27 NAV2	4008321982711	253
TRESOL Trio	4008321985477	28	VIALUX I CD 70W E27 NAV	4008321982704	253
TRESOL Trio Ceiling	4008321989314	46	VIALUX I CD 100W E40 NAV2	4008321982735	253
UTEA H480 BK 24W CFL	4008321982162	259	VIALUX I CD 100W E40 NAV	4008321982728	253
UTEA H480 BK 70W HCI	4008321982193	259	VIALUX I CD 150W E27 HCI	4008321982698	253
UTEA H480 COLORED 24W CFL	4008321982223	259	VIALUX I CD 150W E40 NAV2	4008321982759	253
UTEA H480 COLORED 70W HCI	4008321982254	259	VIALUX I CD 150W E40 NAV	4008321982742	253
UTEA H700 BK 24W CFL	4008321982179	259	VIALUX II BK 70W Rx7s	4008321982766	254
UTEA H700 BK 70W HCI	4008321982209	259	VIALUX II BK 150W Rx7s	4008321982773	254
UTEA H700 COLORED 24W CFL	4008321982230	259	VIALUX II CD 70W Rx7s	4008321982780	254
UTEA H700 COLORED 70W HCI	4008321982261	259	VIALUX II CD 150W Rx7s	4008321982797	254
UTEA H1000 BK 24W CFL	4008321982186	259	VIALUX III BK 70W Rx7s	4008321982803	255
UTEA H1000 BK 70W HCI	4008321982216	259	VIALUX III BK 150W Rx7s	4008321982810	255
UTEA H1000 COLORED 24W CFL	4008321982247	259	VIALUX III CD 70W Rx7s	4008321982827	255
UTEA H1000 COLORED 70W HCI	4008321982278	259	VIALUX III CD 150W Rx7s	4008321982834	255
UTEA/PAIPS mounting kit	4008321620934	263	Wall Shield AC XB-18 CW 30deg	4006584668373	242
VIALTA60 70W BK E27 HCI	4008321982285	257	Wall Shield AC XB-18 RGB 30deg	4006584668458	242
VIALTA60 70W BK E27 NAV2	4008321982339	256	Wall Shield AC XB-18 WW 30deg	4006584668410	242
VIALTA60 70W BK E27 NAV	4008321982322	256	Wall Shield AC XB-36 CW 30deg	4006584668397	242
VIALTA60 70W CD E27 HCI	4008321982445	257	Wall Shield AC XB-36 RGB 30deg	4006584668472	242
VIALTA60 70W CD E27 NAV2	4008321982490	256	Wall Shield AC XB-36 WW 30deg	4006584668434	242
VIALTA60 70W CD E27 NAV	4008321982483	256	WLA	4050300437224	214
VIALTA60 100W BK E40 NAV2	4008321982377	256			
VIALTA60 100W BK E40 NAV	4008321982360	256			
VIALTA60 100W CD E40 NAV2	4008321982537	256			
VIALTA60 100W CD E40 NAV	4008321982520	256			
VIALTA60 150W BK E27 HCI	4008321982292	257			
VIALTA60 150W BK E40 NAV2	4008321982414	256			
VIALTA60 150W BK E40 NAV	4008321982407	256			
VIALTA60 150W CD E27 HCI	4008321982452	257			
VIALTA60 150W CD E40 NAV2	4008321982575	256			
VIALTA60 150W CD E40 NAV	4008321982568	256			
VIALTA78 70W BK E27 HCI	4008321982308	257			
VIALTA78 70W BK E27 NAV2	4008321982353	256			
VIALTA78 70W BK E27 NAV	4008321982346	256			
VIALTA78 70W CD E27 HCI	4008321982469	257			
VIALTA78 70W CD E27 NAV2	4008321982513	256			
VIALTA78 70W CD E27 NAV	4008321982506	256			
VIALTA78 100W BK E40 NAV2	4008321982391	256			

The right amount,
at the right time,
in the right location.
Thanks to modern
light management.

The right light reduces energy consumption, promotes well-being and increases productivity. In addition to the technical and architectural aspects of light planning, light management systems (LMS) therefore play an important role in the holistic approach to lighting design. Energy savings thanks to innovative control units and sensors, daylight-dependent control systems, dynamic applications with colored light or manual selection of individual lighting scenes – all this is possible with light management systems from OSRAM, and much more. Whether integrated into luminaires or as an independent system, our light management solutions are always adapted to the specific requirements of the particular area of application.



OSRAM offers professional light management systems for lighting in industry, shops, hospitality, offices, streets and even for architeainment lighting. ENCELIUM – the complete light management system at building level – allows you to achieve maximum energy savings, short payback times and considerable improvements in workplace lighting. When applied with user-friendly 3D software and freely-addressable switching and dimming functions, ENCELIUM generates optimal light quality at any time and in any location, without using more energy than necessary. Thanks to the combination of daylight and presence sensors, a variable load distribution and the presetting of the lighting level and operating time, energy savings of up to 75 % can be achieved. For this purpose, ENCELIUM can be integrated into the existing building management system.

e:cue light management systems are the best choice if you wish to implement comprehensive LED-based architeainment lighting. As the leading systems in realizing high-quality control and automated solutions for long-lasting and dynamic applications, they ensure that lighting projects are always carried out at the highest professional level.

Siteco Light Control (SCL) is the perfect light management system for street lighting. It allows the regulation of individual light points and the programming of need-based lighting scenarios. Targeted avoidance of over-lighting can significantly lower energy consumption by up to 35 % per year. Moreover, CO₂ emission and light pollution can also be reduced. Central monitoring and analysis of the system leads to the optimization of maintenance and a reduction in annual operating costs by up to 20 %. In addition, traffic safety is increased because the level of lighting is adapted to the actual requirements.



Professional light planning with OSRAM



Modern lighting systems are not only expected to provide a uniform and glare-free illumination of specific areas, but also to achieve maximum economy. These high requirements cannot be met without professional planning, which includes location planning and also takes account of existing furniture and various viewing positions.

DIALux and RELUX are the worldwide leading software applications for professional light planning. OSRAM supports these applications and offers individual luminaire and light source plug-ins.



General functions

- Energy evaluation according to DIN V 18599 and EN 15193
- Emergency lighting according to EN 1838
- Street lighting according to EN 13201

Highlights of DIALux 4.x

- Visualization with POVray and Raytracing
- Sports complex planning with templates for all common sports

Highlights of DIALux 5 (available in spring 2012)

- Revised CAD engine for higher calculation speed
- Automatic recalculation after change of parameters
- ISO lines can be displayed directly on surfaces
- Multi-core processing
- Improved visualization
- Enhanced output functions

Highlights of RELUX

- Powerful CAD functions/ReluxCAD for AutoCAD
- Street lighting according to EN 13201 with ReluxStreet
- Tunnel lighting with ReluxTunnel
- Planning with sensors
- Visualization with Raytracing/3Dstereo
- High-speed multi-core processing

The light planning applications DIALux and RELUX can be downloaded for free. For links to the providers' websites and for up-to-date OSRAM product data, please go to www.osram.com/software.

See the world in a new light



Always up to date

On OSRAM's website, you can find everything you need for your lighting business: information on the latest products and applications, useful tools and services as well as support for the planning of your lighting systems.

www.osram.com

OSRAM case studies

You can find "illuminating" practical examples and projects using OSRAM lighting products.

www.osram.com/casestudies

OSRAM LED deSIGNer

The online program works out the number of BackLED S, M and L modules needed for backlighting projects, lists the appropriate control equipment and produces the relevant order data.

www.osram.com/led-designer

Specification and safety

Protection classes with regard to insulation

Protection class	Symbol	Meaning
I		Luminaires in which protection is based not solely on the basic insulation but also on a protective earth conductor that is connected to exposed conductive parts.
II		Luminaires in which protection is based not solely on the basic insulation but also on additional or reinforced insulation.
III		Luminaires in which protection is based on safety extra-low voltage (SELV). There must be no voltage higher than the safety extra-low voltage in the luminaire.

The protection class of a luminaire for AC voltage indicates the way in which an electric shock is prevented in the event of a fault. A luminaire in protection class II, such as the LUMILUX® COMBI EL, does not have a protective earth, so it places great demands on the design.

IP types of protection according to IEC 60529

First digit	Symbol	Protection against foreign bodies, indicated by the first digit.	
		Brief description	Details of which foreign bodies must not penetrate the casing
0	—	Not protected	—
1	—	Protected against foreign bodies 50 mm or more in diameter	The object probe, a sphere 50 mm in diameter, must not penetrate fully.*
2	—	Protected against foreign bodies 12.5 mm or more in diameter	The object probe, a sphere 12.5 mm in diameter, must not penetrate fully.*
3	—	Protected against foreign bodies 2.5 mm or more in diameter	The object probe, 2.5 mm, must not penetrate fully.*
4	—	Protected against foreign bodies 1.0 mm or more in diameter	The object probe, 1.0 mm, must not penetrate fully.*
5		Protected against dust	Penetration of dust is not completely prevented but dust cannot penetrate in such quantities that satisfactory operation of the device or operational safety is compromised.
6		Dustproof	No penetration of dust.

* The full diameter of the object probe must not enter the casing through an opening.

Second digit	Symbol	Protection against water, indicated by the second digit.	
		Brief description	Details on protection by the casing
0	—	Not protected	—
1	—	Protected against vertically falling drops of water	Vertically falling drops of water must not have a damaging effect.
2	—	Protected against vertically falling drops of water if the casing is tilted up to 15°	Vertically dripping water must not have a damaging effect if the casing is inclined at an angle of up to 15° either side of the vertical.
3		Protected against spray	Water sprayed at an angle up to 60° both sides of the vertical must not have a damaging effect.
4		Protected against low-pressure jets	Water sprayed at the casing from any direction must not have a damaging effect.
5		Protected against strong jets of water	Water sprayed as a jet at the casing from any direction must not have a damaging effect.
6	—	Protected against very strong jets of water	Water sprayed as a powerful jet at the casing from any direction must not have a damaging effect.
7		Protected against the effect of temporary immersion in water	Water must not penetrate in an amount that would cause a damaging effect if the casing is submerged temporarily in water under standard pressure and time conditions.
8		Protected against the effect of constant submersion in water	The device is suitable for constant submersion in water. The conditions are specified by the manufacturer. NOTE: This generally means that the device is completely sealed. However for some devices it may mean that water will penetrate but not in damaging quantities.

Relationship between the IK code and load energy

IK code	IK00	IK01	IK02	IK03	IK04	IK05	IK06	IK07	IK08	IK09	IK10
Load energy in joules	*	0.15	0.2	0.35	0.5	0.7	1	2	5	10	20

* Not protected in accordance with the present standard.

The IK code

The degree of protection provided by casings against external mechanical impacts is indicated by the IK code with digits from 00 to 10. According to the relevant standard,

a casing with IK00 offers no protection at all; a casing with IK10 offers the greatest protection and is capable of withstanding an impact energy of 20 joules.

Protection classes with regard to ignition/fire

Symbol **Meaning**



F luminaires are luminaires that can be mounted on normally flammable material, without any additional measures. In accordance with EN 60598, the limit temperature of the mounting surface is 90 °C (according to EN 60598-1 this labeling is no longer required).



Luminaires with this identifier are suitable according to DIN VDE 0710 Part 14 for installation in and on furniture, the material of which have normal or reduced flammability as per DIN 4102.



Luminaires with this identifier are suitable according to DIN VDE 0710 Part 14 for installation in and on furniture with unknown flammability.

Glow wire test

Symbol **Meaning**

960 °C For general-purpose luminaires installed in enclosed horizontal escape routes and stairwells.

850 °C For general-purpose luminaires installed in buildings open to the general public if the entire visible area of the ceiling covered by the luminaires is more than 25 % of the building area.

750 °C For other general-purpose luminaires installed in buildings open to the general public.

External parts of fixed or suspended luminaires must be subjected to a glow wire test at the temperatures indicated above, based on their location and purpose. The above

values are binding for France, otherwise a temperature of 650 °C is usual.



CE label

The CE label confirms that the product complies with the relevant EU directives, such as the Low-Voltage Directive 2006/95/EC or the EMC directive 2004/108/EC. Of course, OSRAM luminaires meet the requirements of the relevant EC directives and therefore carry the CE label.



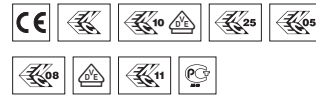
Compliance with safety regulations and other standards

Luminaires should not only look good and give out good light, they must be safe. Safety is ensured by compliance with a variety of ensured standards. Luminaires from OSRAM meet all relevant national and international standards, and this is indicated by marks such as the ones shown above.

Symbols

	Weight in kg		Operating frequency in Hz
	Luminaire light output ratio ETA		Base
	Type of protection		Voltage in V
	No. of LEDs per module		Current in A
	Beam angle in °		Rated current in mA
	Mounting diameter		Ambient temperature range in °C
	Hole spacing a in mm		Unified Glare Rating
	Hole spacing l ₁ in mm		Unified Glare Rating horizontal
	For lamp/LED module		Unified Glare Rating vertical
	Fig. no.		Standard pack in pcs.
	Width b in mm		
	Color		
	No. of lamps per module		
	Diameter d in mm		
	Color temperature in K		
	Color rendering index		
	Height h in mm		
	Height h ₁ in mm		
	Length l in mm		
	Length l ₁ in mm		
	Length l in m		
	Average period of use/life		
	Power in W		
	Luminous efficacy		
	Efficiency of lamp in luminaire		
	Light color		
	Luminous intensity in cd		
	Luminous flux in lm		

Certification



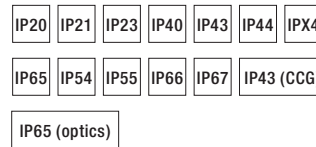
Appliance class



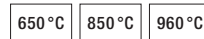
Flame protection class



Type of protection



Glow wire test



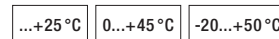
Mechanical stress



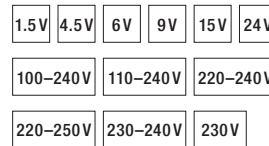
Mounting diameter



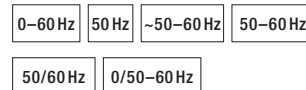
Ambient temperature



Voltage



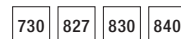
Frequency



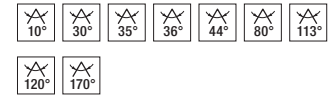
Equipped with Lamp



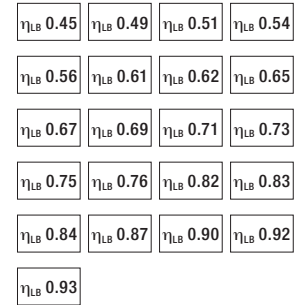
Light color



Beam angle



Luminaire light output ratio ETA



Base



Dimmable



Technology



Must be installed and maintained only by qualified electricians



Do not throw away with household waste

